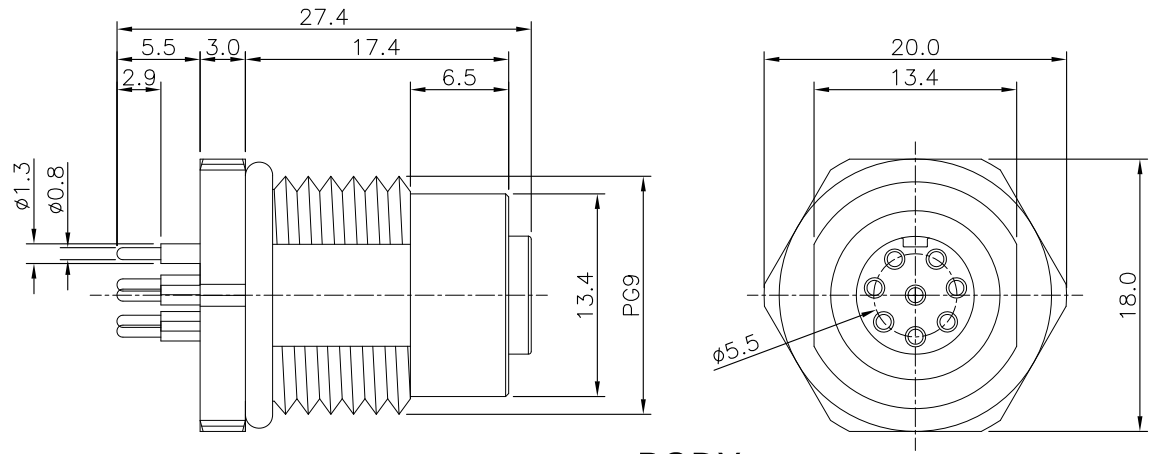
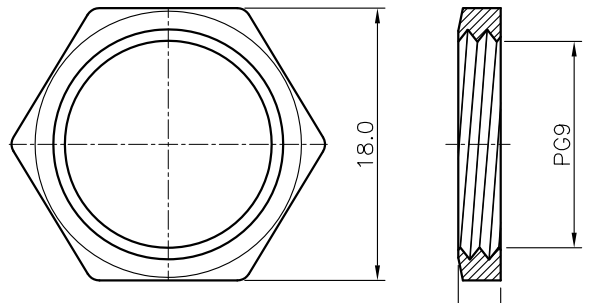


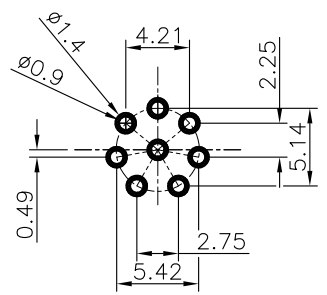
REV.	DESCRIPTION	DRAWN	DATE
1	INITIAL RELEASE	FROS	2015/06/16



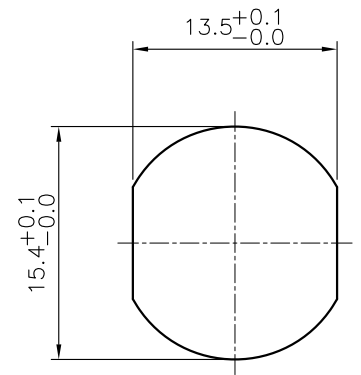
BODY



NUT



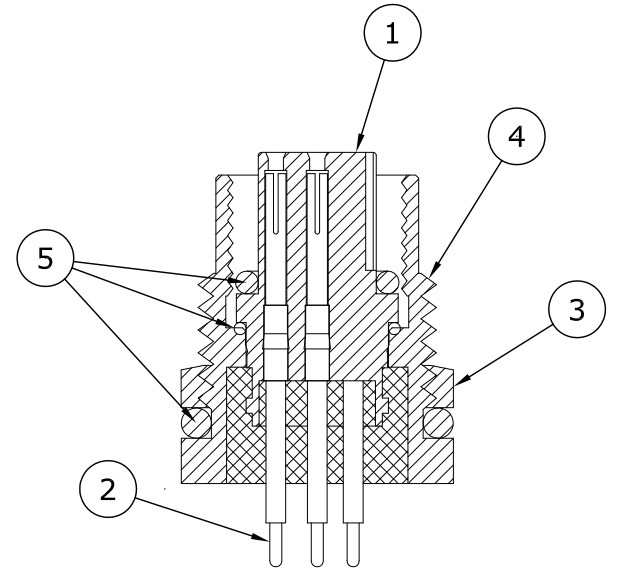
RECOMMEND PCB LAYOUT




RECOMMEND PANEL CUT OUT

SPECIFICATION:

1. CURRENT RATING: 5A
2. VOLTAGE: 125V
3. WATER PROOF: IPX7
4. OPERATION TEMPERATURE: -40°C TO +85°C



NO	PART NAME	DESCRIPTION
5	O-RING	EPDM
4	SHELL	BRASS, NICKEL PLATED
3	NUT	BRASS, NICKEL PLATED
2	CONTACT	BRASS, 10u" GOLD PLATED UNDER NICKEL
1	HOUSING	PBT, UL94V-0, BLACK

UNLESS OTHERWISE SPECIFIED TOLERANCE					
UNIT:	DECIMAL	LINEAR			ANGLES
mm	X.	± 0.50	$\pm 5^\circ$	WWW.ATTEND.COM.TW	
	X.X	± 0.25	$\pm 3^\circ$		
	X.XX	± 0.12	$\pm 1^\circ$		
DRAWN	Fros	2015/06/16	DRAWN NAME:		
CHECKED	Zola	2015/06/16	M12 8P FEMALE, DIP TYPE WATERPROOF CONNECTOR		
APPROVED	Ken	2015/06/16	PRODUCT NO.	216A-08FSF	
SCALE	2/1	SHEET	1/1	SIZE	A4
			FILE NAME	216A-08FSF_B_1	