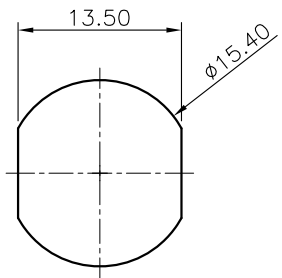
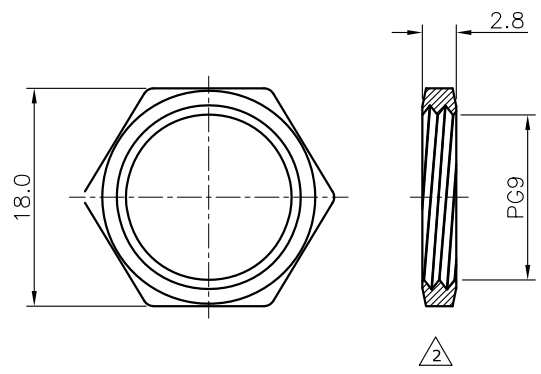
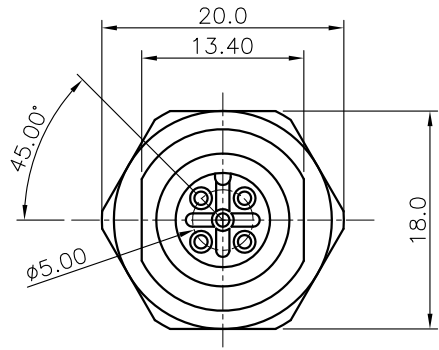
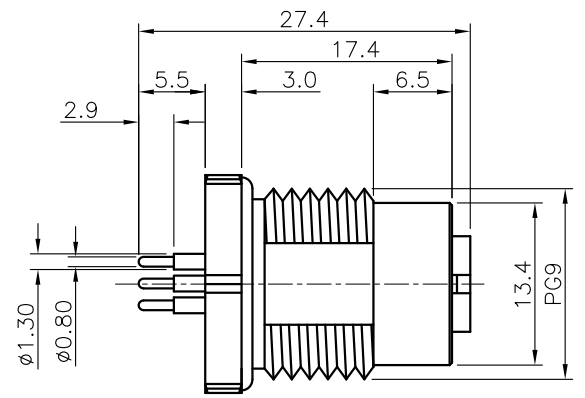
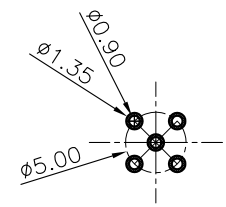


REV.	DESCRIPTION	DRAWN	DATE
1	INITIAL RELEASE	Willis	2013/12/24
2	ECR-1700024	Fros	2017/10/06



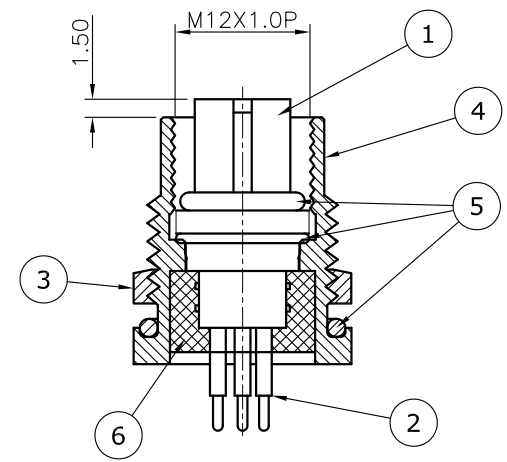
RECOMMENDED CUT OUT




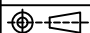
RECOMMENDED LAYOUT

**SPECIFICATION:**

- CURRENT RATING: 5A
- VOLTAGE: 125V
- WATER PROOF: IPX7
- OPERATION TEMPERATURE: -40°C TO +85°C



6	EPOXY	EPOXY
5	O-RING	EPDM
4	SHELL	BRASS, NICKEL PLATED
3	NUT	BRASS, NICKEL PLATED
2	CONTACT	BRASS, 10u" GOLD PLATED UNDER NICKEL
1	HOUSING	PBT, UL94V-0, BLACK
NO	PART NAME	DESCRIPTION

UNLESS OTHERWISE SPECIFIED TOLERANCE					
UNIT:	DECIMAL	LINEAR	ANGLES		
mm	X.	±0.50	±5°	www.attend.com.tw	
	X.X	±0.25	±3°		
	X.XX	±0.12	±1°		
DRAWN	Willis	2013/12/24	DRAWN NAME: M12 A-Code 5 Pin Receptacle Female Straight PCB Type, Front Fastened		
CHECKED	Angel	2013/12/24	PRODUCT NO. 216A-05FSF		
APPROVED	Ken	2013/12/24	FILE NAME 216A-05FSF_B_2		
	SCALE 1.6	SHEET 1/1	SIZE A4		