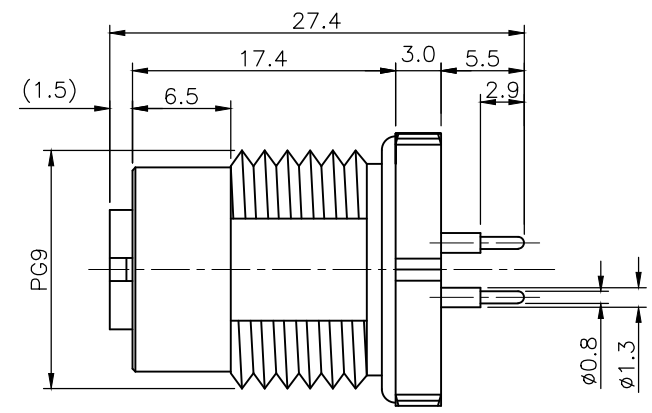
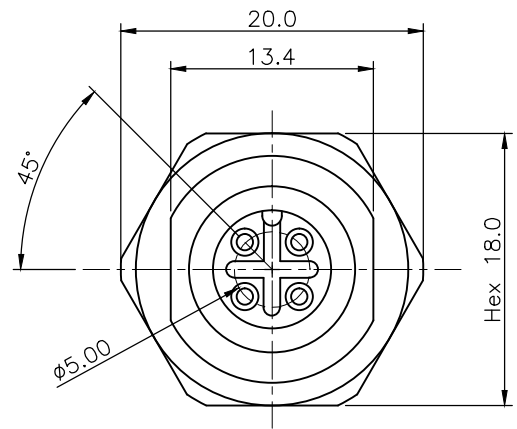
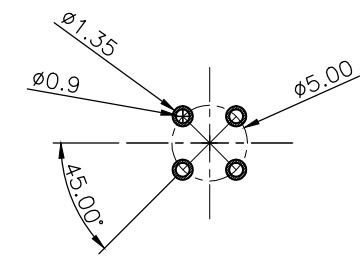


REV.	DESCRIPTION	DRAWN	DATE
1	INITIAL RELEASE	FROS	2016/11/25

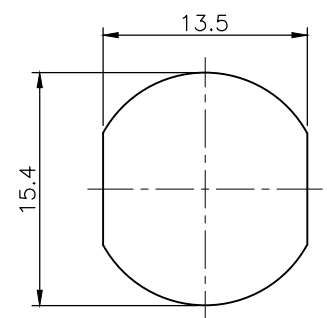


**SPECIFICATION:**

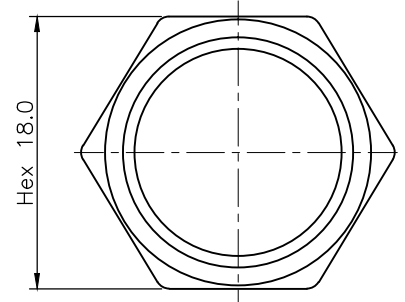
1. Current Rating: 5A
2. Voltage Rating: 125V
3. Waterproof: IPX7
4. Operating temperature range: -40 °C~+85°C



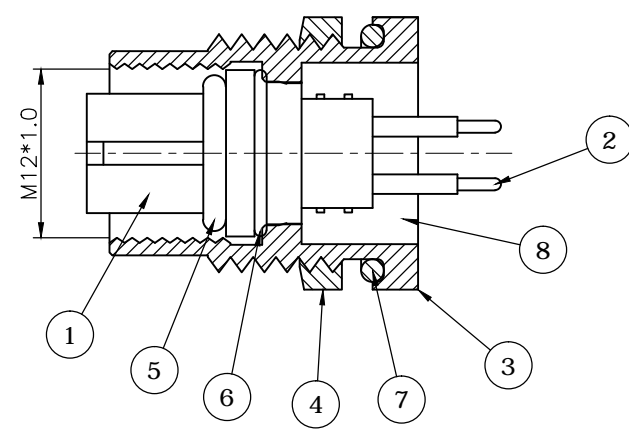
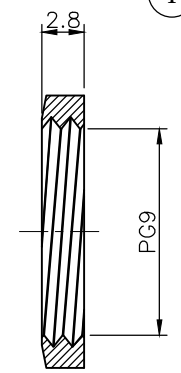
RECOMMENDED LAYOUT




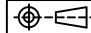
CUT OUT



NUT



NO.	PART NAME	DESCRIPTION
8	EPOXY	EF400A & EF400B, Black
7	O-RING	EPDM, Black
6	O-RING	EPDM, Black
5	O-RING	EPDM, Black
4	NUT	Brass, Nickel plating
3	SHELL	Brass, Nickel plating
2	CONTACT	Brass, 10u" Gold plating over Nickel
1	HOUSING	PBT, UL94V-0, Black

UNLESS OTHERWISE SPECIFIED TOLERANCE				 <a href="http://WWW.ATTEND.COM.TW">WWW.ATTEND.COM.TW</a>	
UNIT:	DECIMAL	LINEAR	ANGLES		
mm	X.	±0.50	±5°		
	X.X	±0.25	±3°		
	X.XX	±0.12	±1°		
DRAWN	Fros	2016/11/25	DRAWN NAME:		
CHECKED	Tim	2016/11/25	M12 A- Code Receptacle, 4Pin Female Straight PCB Type Front Fastened		
APPROVED	Ken	2016/11/25	PRODUCT NO.	216A-04FSF	
	SCALE	2/1	SHEET	1/1	
	SIZE	A4		FILE NAME	216A-04FSF_B_1