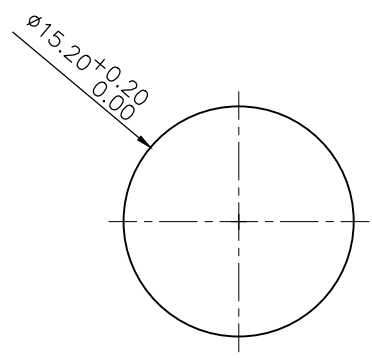
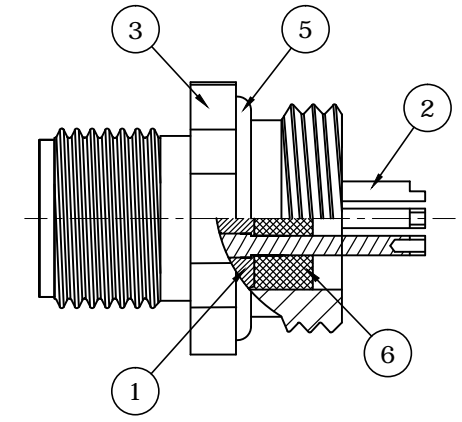
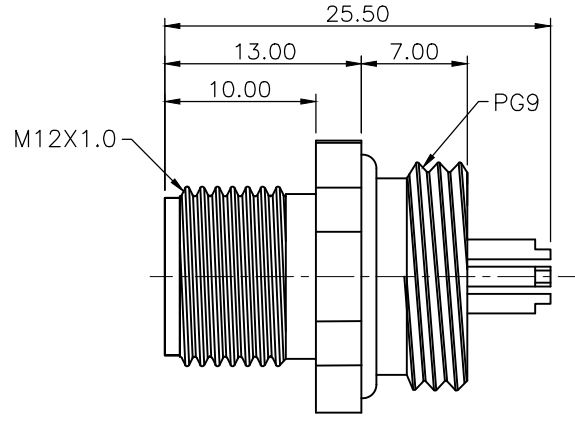
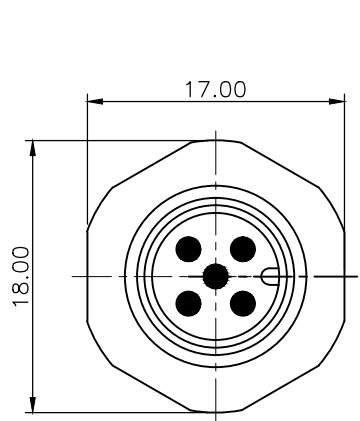


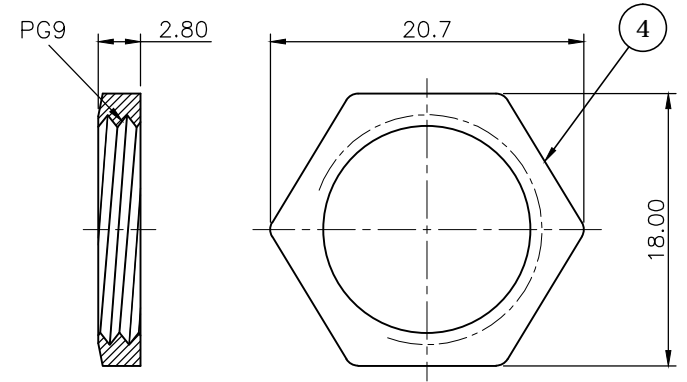
REV.	DESCRIPTION	DRAWN	DATE
1	INITIAL RELEASE	TIM	2018/04/13

SPECIFICATION:

- 1. ELECTRICAL
- 1.1 Current Rating: 5A
- 1.2 Voltage Rating: 125V
- 1.3 Water Proof: IPX8
- 1.4 Operating Temperature: -40°C~+85°C



PANEL CUT-OUT



NUT

6	EPOXY BASE	EF400A&EF400B, Black
5	O-RING	NBR, Black
4	NUT	Brass
3	SHELL	Brass, Nickel plating
2	CONTACT	Brass, 10u" Gold plating over Nickel
1	HOUSING	PBT, UL94V-0, Black

NO.	PART NAME	DESCRIPTION	
UNLESS OTHERWISE SPECIFIED TOLERANCE			
UNIT:	DECIMAL	LINEAR	ANGLES
mm	X.	±0.50	±5°
	X.X	±0.25	±3°
	X.XX	±0.12	±1°
DRAWN	Tim	2018/04/13	DRAWN NAME: M12 A-Code Receptacle, 5Pin Male Solder Type Rear Fastened
CHECKED	Fros	2018/04/13	
APPROVED	Ken	2018/04/13	PRODUCT NO. 216A-05MAR
SCALE 2/1 SHEET 1/1 SIZE A4			FILE NAME 216A-05MAR_B_1



WWW.ATTEND.COM.TW