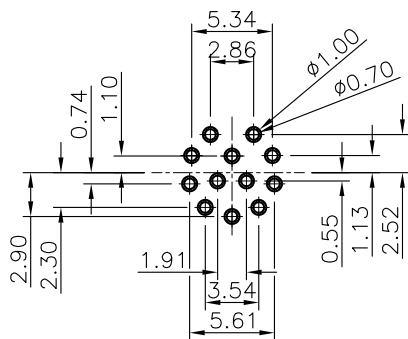
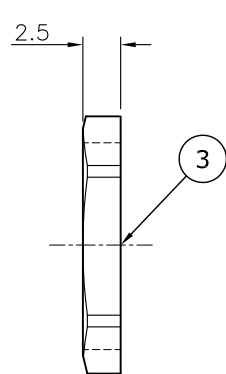
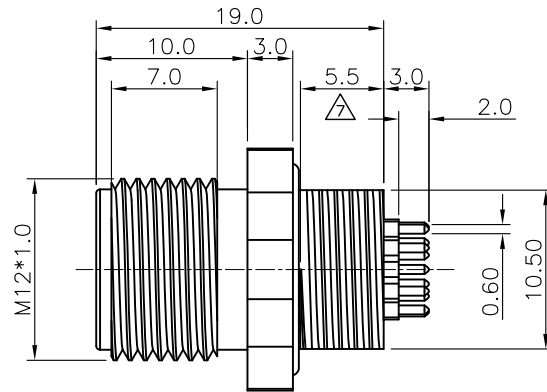


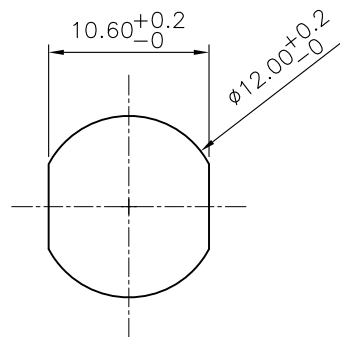
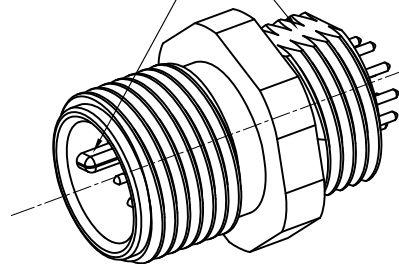
NUT



RECOMMENDED LAYOUT



Orientation of anti-twist feature

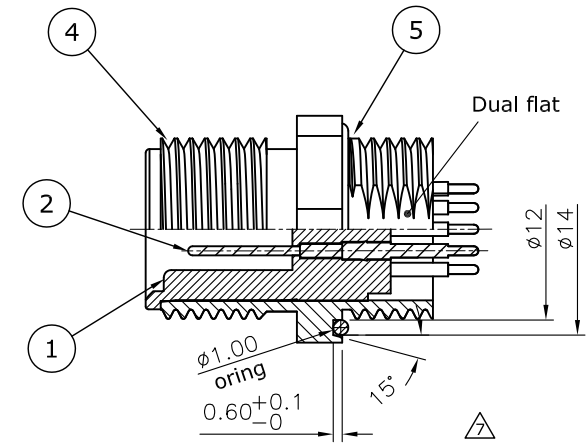


RECOMMENDED PANEL CUT OUT

REV.	DESCRIPTION	DRAWN	DATE
5	ECR1700027	TIM	2017/10/26
6	Add sealing groove	Fros	2019/12/04
7	Revised groove dims. & thread length	Fros	2019/12/09

SPECIFICATION:

- CURRENT RATING: 1.5A
- VOLTAGE: 30V
- WATER PROOF: IPX7
- OPERATION TEMPERATURE: -40°C TO +85°C



SECTION A-A

NO	PART NAME	DESCRIPTION
5	O-RING	EPDM, BLACK
4	SHELL	BRASS, NICKEL PLATED
3	NUT	BRASS, NICKEL PLATED
2	CONTACT	BRASS, 10u" GOLD PLATED UNDER NICKEL
1	HOUSING	PBT, UL94V-0, BLACK

UNLESS OTHERWISE SPECIFIED TOLERANCE

UNIT:	DECIMAL	LINEAR	ANGLES
mm	X.	±0.50	±5°
	X.X	±0.25	±3°
	X.XX	±0.12	±1°



WWW.ATTEND.COM.TW

DRAWN	Fros	2015/12/03	DRAWN NAME:	
CHECKED	Amy	2015/12/03	M12 A-Code Water Proof Connector, 12Pin Male Straight PCB Type, Rear Fastened	
APPROVED	Ken	2015/12/03	PRODUCT NO.	216A-12MSR
SCALE	2/1	SHEET	1/1	SIZE
				A4
			FILE NAME	216A-12MSR_B_7