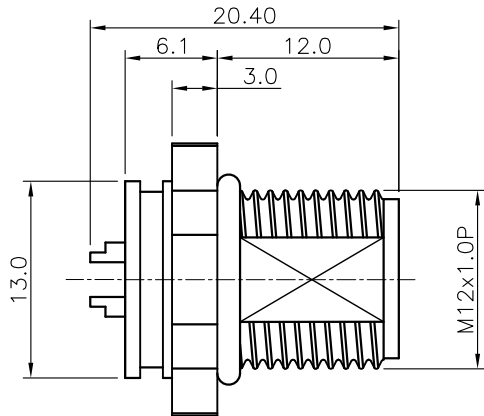


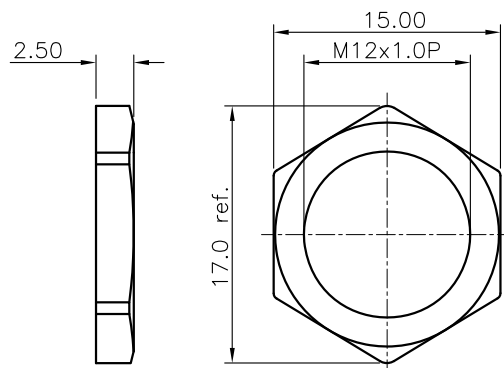
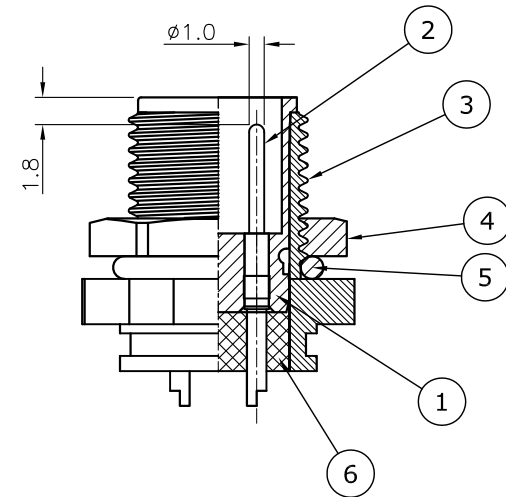
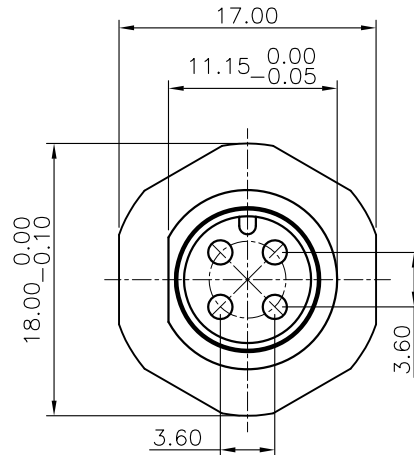
REV.	DESCRIPTION	DRAWN	DATE
1	INITIAL RELEASE	FROS	2016/03/29

SPECIFICATION:

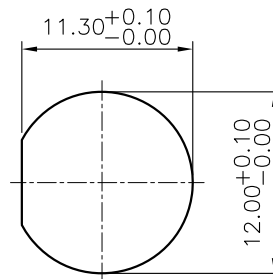
Current Rating: 5A
Voltage Rating: 125V
Waterproof: IPX7
Operation Temperature: -40°C to 85°C



BODY


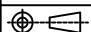


NUT



PANEL CUT-OUT

6	Epoxy	Black
5	ORING	EPDM, Black
4	NUT	Brass, Nickel plating
3	SHELL	Brass, Nickel plating
2	CONTACT	Brass, 10u" Gold plating under Nickel
1	HOUSING	PBT, UL94V-0, Black
NO.	PART NAME	DESCRIPTION

UNLESS OTHERWISE SPECIFIED TOLERANCE					
UNIT:	DECIMAL	LINEAR	ANGLES		
mm	X.	±0.50	±5°	WWW.ATTEND.COM.TW	
	X.X	±0.25	±3°		
	X.XX	±0.12	±1°		
DRAWN	Fros	2016/03/29	DRAWN NAME:		
CHECKED	Amy	2016/03/29	M12 A-Code Receptacle, 4 Pin Male Solder Type Front Fastened		
APPROVED	Ken	2016/03/29	PRODUCT NO.	216A-04MAF	
	SCALE	SHEET	SIZE	FILE NAME	216A-04MAF_B_1
	2/1	1/1	A4		