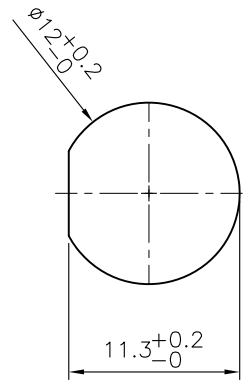
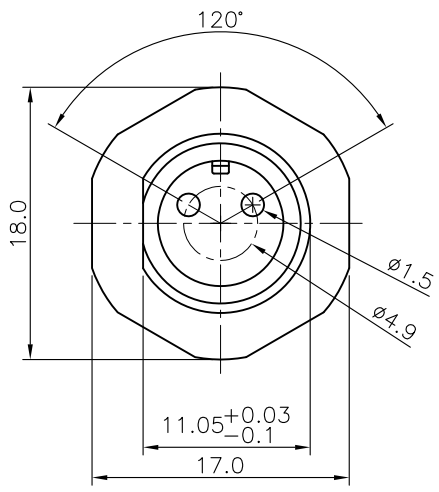
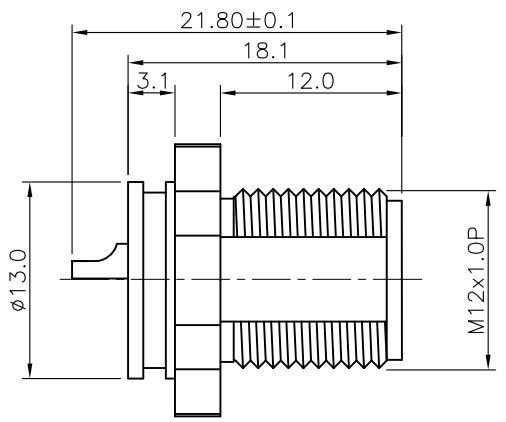


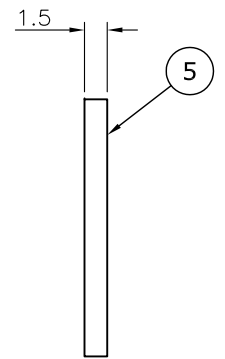
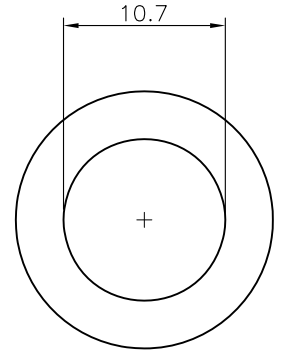
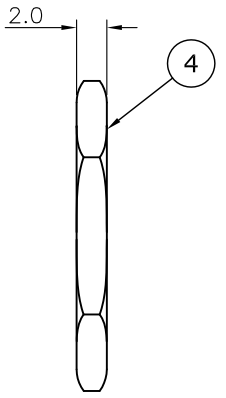
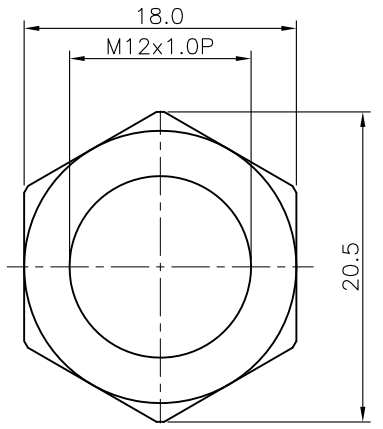
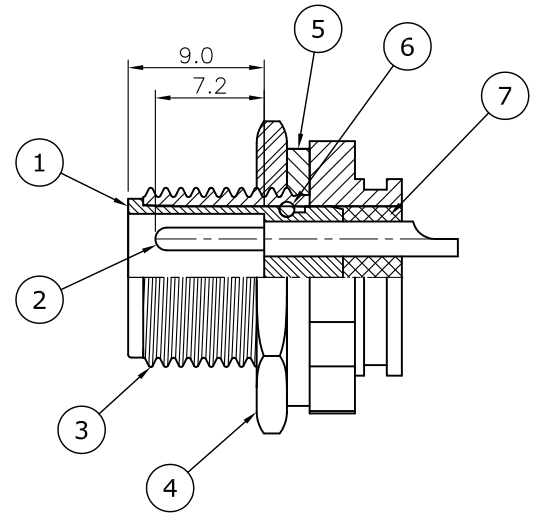
| REV. | DESCRIPTION | DRAWN | DATE |
|------|-----------------|-------|------------|
| 1 | INITIAL RELEASE | FROS | 2016/06/21 |

SPECIFICATION:


- 1. ELECTRICAL
 - 1.1 Current Rating: 10A
 - 1.2 Voltage Rating: 125V
 - 1.3 Water Proof: IPX7
 - 1.4 Operating Temperature: -40°C~+85°C



PANEL CUT-OUT



| NO. | PART NAME | DESCRIPTION |
|-----|------------|---------------------------------|
| 7 | EPOXY BASE | EF400A&EF400B, Black |
| 6 | O-RING A | SILICONE, Brown |
| 5 | O-RING B | EPDM, Black |
| 4 | NUT | Brass, Nickel plating |
| 3 | SHELL | Brass, Nickel plating |
| 2 | CONTACT | Brass, Gold plating over Nickel |
| 1 | HOUSING | PBT, UL94V-0, Black |

| UNLESS OTHERWISE SPECIFIED TOLERANCE | | | |  | |
|--------------------------------------|---------|------------|--------------------------------------|---|--|
| UNIT: | DECIMAL | LINEAR | ANGLES | | |
| mm | X. | ±0.50 | ±5° | WWW.ATTEND.COM.TW | |
| | X.X | ±0.25 | ±3° | | |
| | X.XX | ±0.12 | ±1° | | |
| DRAWN | Fros | 2016/06/21 | DRAWN NAME: | | |
| CHECKED | Ron | 2016/06/21 | M12 A-Code Receptacle, | | |
| APPROVED | Ken | 2016/06/21 | 2Pin Male Solder Type Front Fastened | | |
| SCALE | SHEET | SIZE | FILE NAME | | |
| 2/1 | 1/1 | A4 | 216A-02MAF_B_1 | | |