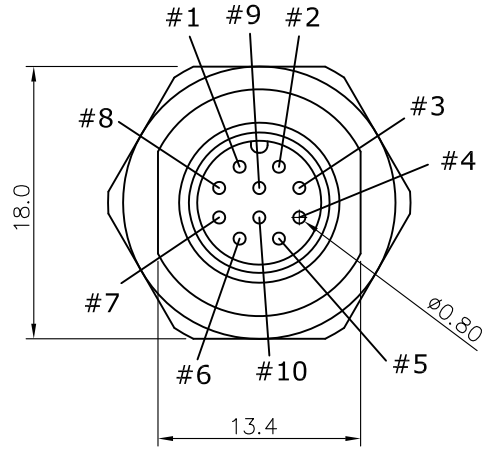
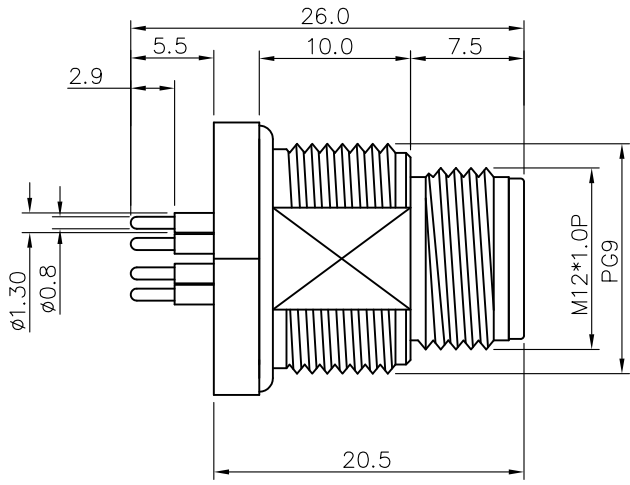
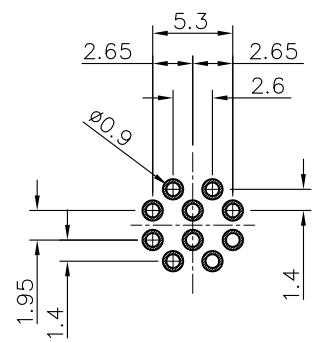
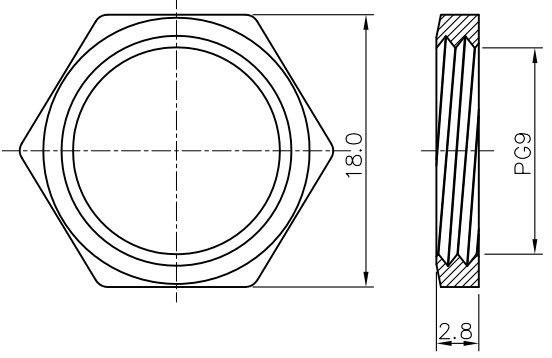
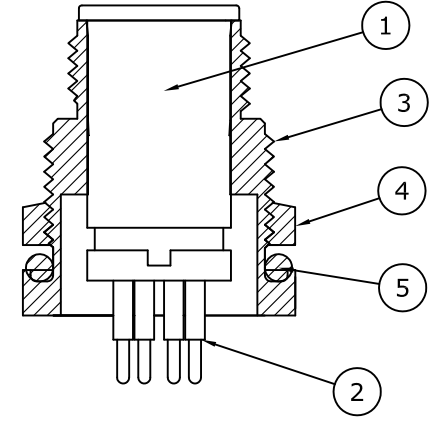


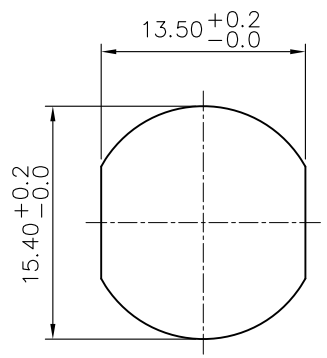
REV.	DESCRIPTION	DRAWN	DATE
1	INITIAL RELEASE	FROS	2017/06/07



NOTES:
 1 Rated current: 5A
 2 Rated voltage: 125V
 3 Waterproof: IPX7
 4 Operation temperature: -40°C to +85°C



RECOMMEND LAYOUT



RECOMMEND PANEL CUT-OUT

5	ORING	EPDM
4	NUT	Brass, Nickel plating
3	SHELL	Brass, Nickel plating
2	CONTACT	Brass, 10u" Gold plating over Nickel
1	HOUSING	PBT, UL94V-0, Black
NO.	PART NAME	DESCRIPTION

UNLESS OTHERWISE SPECIFIED TOLERANCE			
UNIT:	DECIMAL	LINEAR	ANGLES
mm	X.	±0.50	±5°
	X.X	±0.25	±3°
	X.XX	±0.12	±1°



WWW.ATTEND.COM.TW

DRAWN	Fros	2017/06/07	DRAWN NAME:		
CHECKED	Tim	2017/06/07	M12 A- Code Rectractable 10Pin Male DIP Front Fastened		
APPROVED	Ken	2017/06/07	PRODUCT NO.	216A-10MSF	
SCALE	2.5	SHEET	1/1	SIZE	A4
			FILE NAME	216A-10MSF_B_1	