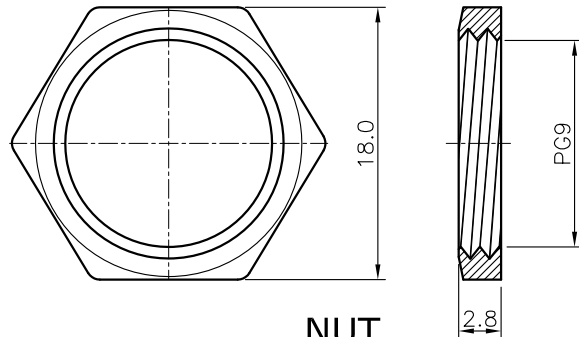
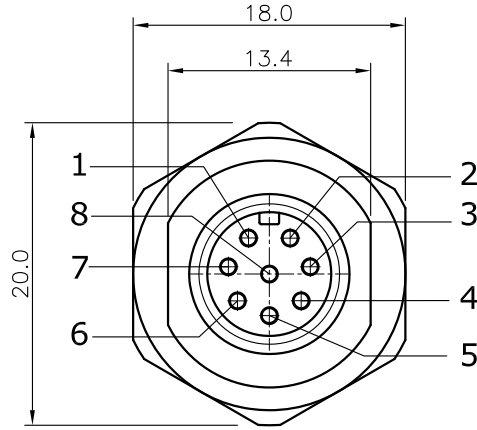
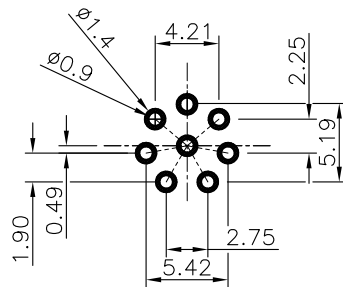


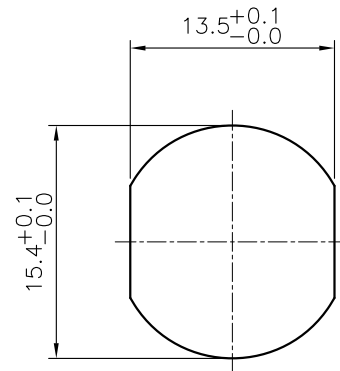
BODY



NUT



RECOMMEND PCB LAYOUT

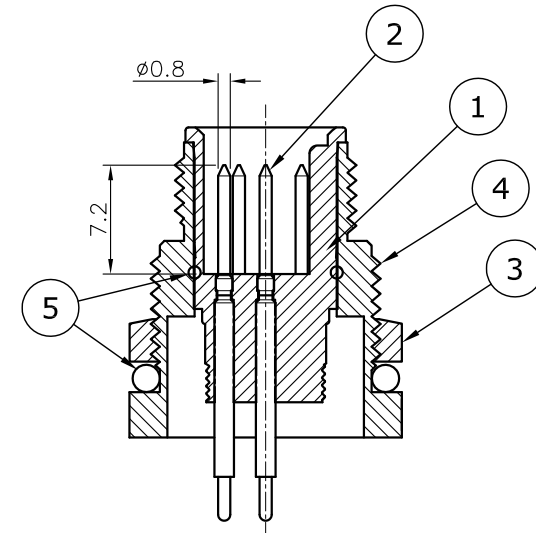


RECOMMEND PANEL CUT OUT

REV.	DESCRIPTION	DRAWN	DATE
1	INITIAL RELEASE	FROS	2015/05/26
2	New P/N specify 216A-08MSF & replaced file name 216A-0804CONCEPT_B_1 to 216A-08MSF_B_2	FROS	2015/11/17

SPECIFICATION:

- CURRENT RATING: 5A
- VOLTAGE: 125V
- WATER PROOF: IPX7
- OPERATION TEMPERATURE: -40°C TO +85°C



5	O-RING	EPDM
4	SHELL	BRASS, NICKEL PLATED
3	NUT	BRASS, NICKEL PLATED
2	CONTACT	BRASS, 10u" GOLD PLATED UNDER NICKEL
1	HOUSING	PBT, UL94V-0, BLACK
NO	PART NAME	DESCRIPTION

UNLESS OTHERWISE SPECIFIED TOLERANCE

UNIT:	DECIMAL	LINEAR	ANGLES
mm	X.	±0.50	±5°
	X.X	±0.25	±3°
	X.XX	±0.12	±1°



WWW.ATTEND.COM.TW

DRAWN	Fros	2015/05/26	DRAWN NAME:	M12 8P MALE, DIP TYPE WATERPROOF CONNECTOR	
CHECKED	Zola	2015/05/26	PRODUCT NO.	216A-08MSF	
APPROVED	Ken	2015/05/26	FILE NAME	216A-08MSF_B_1	
SCALE	2/1	SHEET	1/1	SIZE	A4