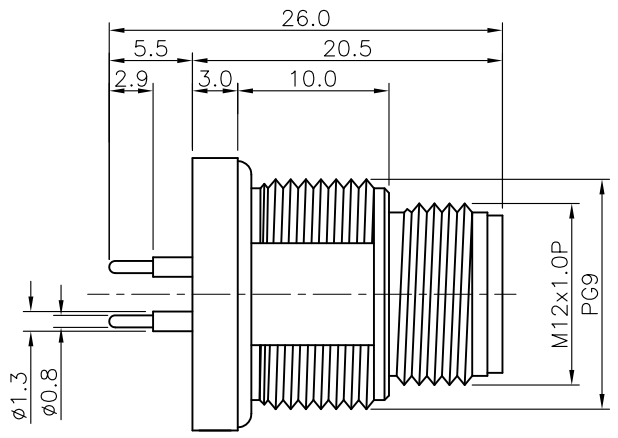
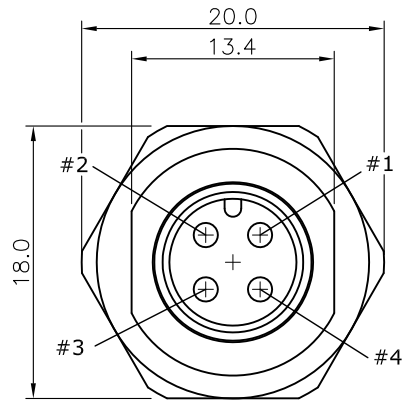


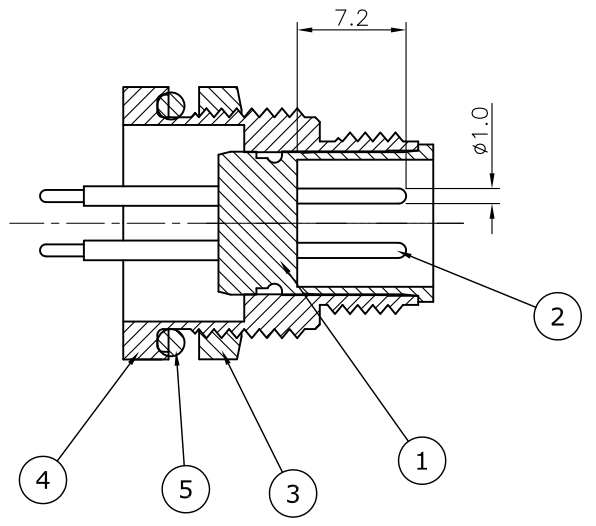
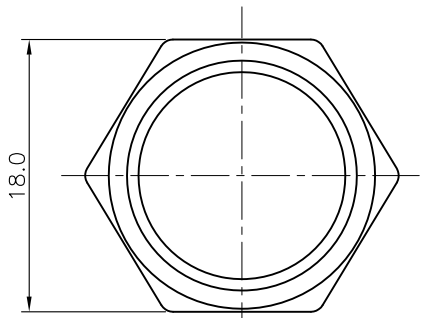
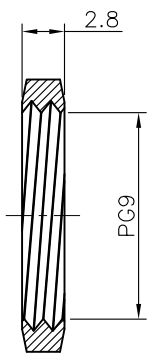
| REV. | DESCRIPTION | DRAWN | DATE |
|------|-----------------|-------|------------|
| 1 | INITIAL RELEASE | FROS | 2015/09/08 |
| 2 | ECR-1700024 | FROS | 2017/10/06 |



BODY

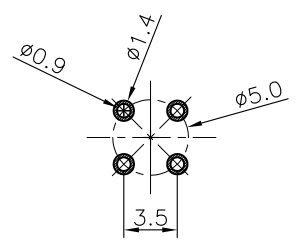


NUT

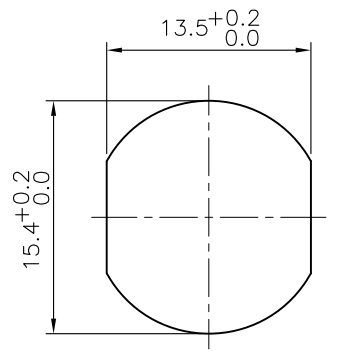


SPECIFICATION:

1. CURRENT RATING: 5A
2. VOLTAGE: 125V
3. WATER PROOF: IPX7
4. OPERATION TEMPERATURE: -40°C TO +85°C



RECOMMEND PCB LAYOUT



RECOMMEND PANEL CUT OUT

| | | |
|----|-----------|--------------------------------------|
| 5 | O-RING | EPDM |
| 4 | SHELL | BRASS, NICKEL PLATED |
| 3 | NUT | BRASS, NICKEL PLATED |
| 2 | CONTACT | BRASS, 10u" GOLD PLATED UNDER NICKEL |
| 1 | HOUSING | PBT, UL94V-0, BLACK |
| NO | PART NAME | DESCRIPTION |

UNLESS OTHERWISE SPECIFIED TOLERANCE

| UNIT: | DECIMAL | LINEAR | ANGLES |
|-------|---------|--------|--------|
| mm | X. | ±0.50 | ±5° |
| | X.X | ±0.25 | ±3° |
| | X.XX | ±0.12 | ±1° |



WWW.ATTEND.COM.TW

| | | | | |
|----------|------|------------|--|----------------|
| DRAWN | Fros | 2015/09/08 | DRAWN NAME: | |
| CHECKED | Zola | 2015/09/08 | M12 A-Code Male Receptacle, 4 Pin, DIP Type, Front Fastened | |
| APPROVED | Ken | 2015/09/08 | PRODUCT NO. | 216A-04MSF |
| SCALE | 2/1 | SHEET | 1/1 | SIZE |
| | | | FILE NAME | 216A-04MSF_B_2 |
| | | | | |