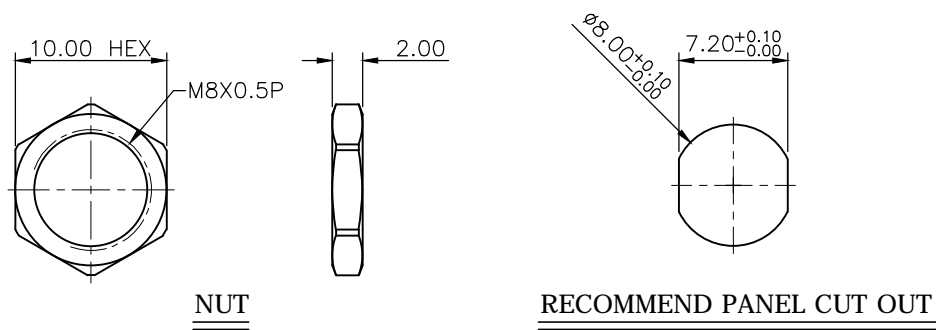
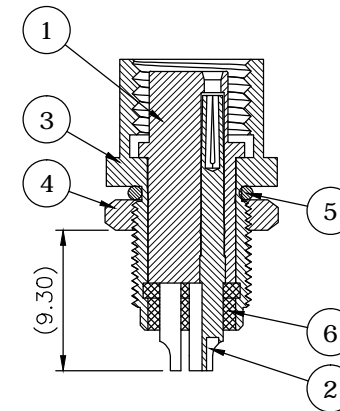
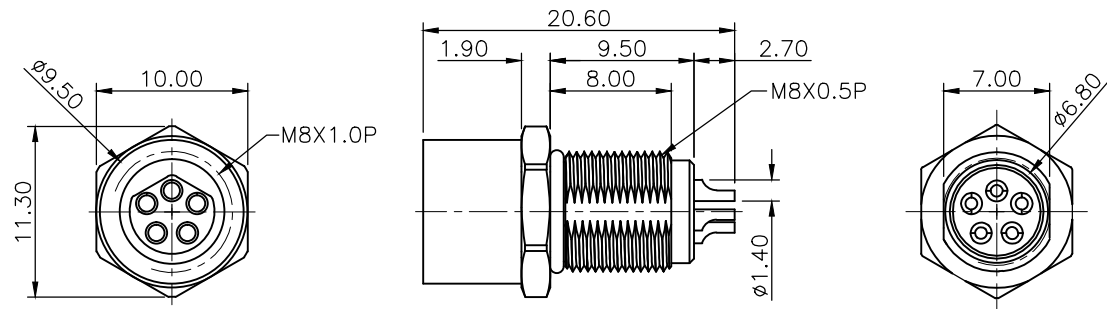



REV.	DESCRIPTION	DRAWN	DATE
1	INITIAL RELEASE	TIM	2016/09/02

SPECIFICATION:

1. ELECTRICAL
 - 1.1 Current Rating: 5A
 - 1.2 Voltage Rating: 125V
 - 1.3 Water Proof: IP67
 - 1.4 Operating Temperature: -20°C~+85°C



6	EPOXY BASE	
5	O-RING	EPDM ,BLACK
4	NUT	BRASS, NICKEL PLATED
3	SHELL	BRASS, NICKEL PLATED
2	CONTACT	Brass, GOLD PLATED UNDER NICKEL
1	HOUSING	PBT, UL94V-0, BLACK

NO.	PART NAME	DESCRIPTION		
UNLESS OTHERWISE SPECIFIED TOLERANCE				
UNIT:	DECIMAL	LINEAR	ANGLES	
	X.	±0.50	±5°	
	X.X	±0.25	±3°	
	X.XX	±0.12	±1°	
 WWW.ATTEND.COM.TW				
DRAWN	Tim	2016/09/02	DRAWN NAME: M8 B-Code Receptacle,5Pin Female Solder Type Rear Fastened	
CHECKED	Fros	2016/09/02		
APPROVED	Ken	2016/09/02		
SCALE	SHEET	SIZE		
2/1	1/1	A4	FILE NAME	219B-05FAR_B_1