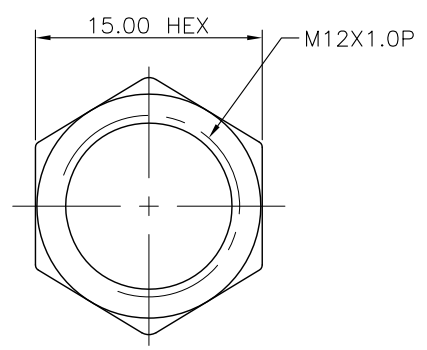
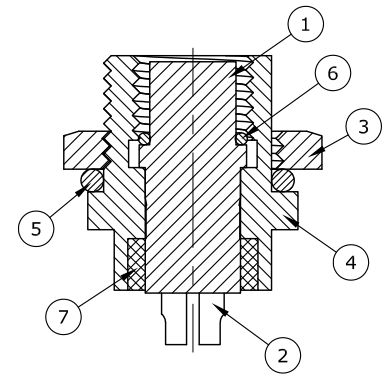
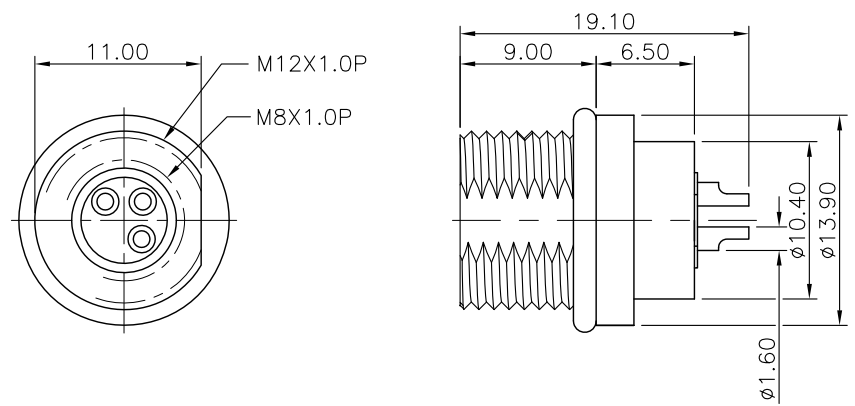


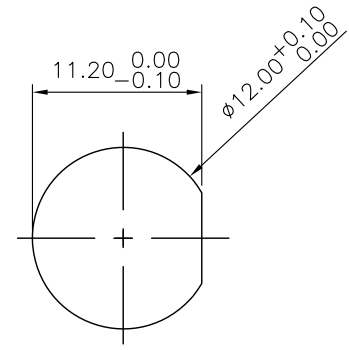
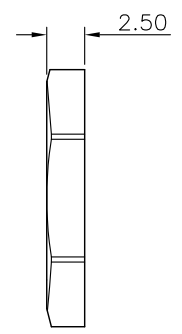
REV.	DESCRIPTION	DRAWN	DATE
1	INITIAL RELEASE	TIM	2016/08/19

SPECIFICATION:

1. CURRENT RATING: 5A
2. VOLTAGE: 125V
3. WATER PROOF: IPX7
4. OPERATION TEMPERATURE: -20°C TO +85°C




NUT



RECOMMEND PANEL CUT OUT

NO	PART NAME	DESCRIPTION
7	EPOXY BASE	
6	O-RING	EPDM, BLACK
5	O-RING	NBR, BLACK
4	SHELL	BRASS, NICKEL PLATED
3	NUT	BRASS, NICKEL PLATED
2	CONTACT	BRONZE, 10u" GOLD PLATED UNDER NICKEL
1	HOUSING	PBT, UL94V-0, BLACK

UNLESS OTHERWISE SPECIFIED TOLERANCE					
UNIT:	DECIMAL	LINEAR	ANGLES		
mm	X.	±0.50	±5°	WWW.ATTEND.COM.TW	
	X.X	±0.25	±3°		
	X.XX	±0.12	±1°		
DRAWN	Tim	2016/08/19	DRAWN NAME: M8 A-Code Receptacle, 3Pin Female Solder Type Front Fastened		
CHECKED	Fros	2016/08/19	PRODUCT NO. 219A-03FAF		
APPROVED	Ken	2016/08/19	FILE NAME 219A-03FAF_B_1		
⊕	SCALE 2/1	SHEET 1/1	SIZE A4		