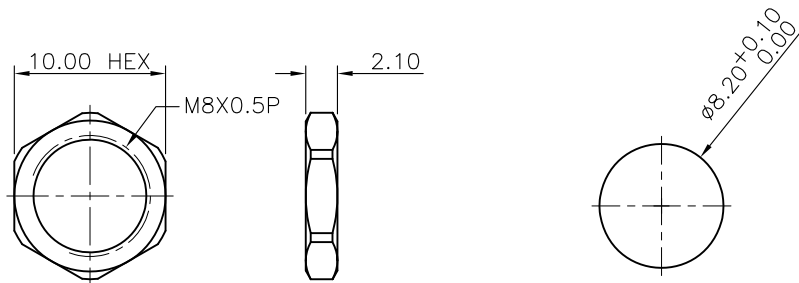
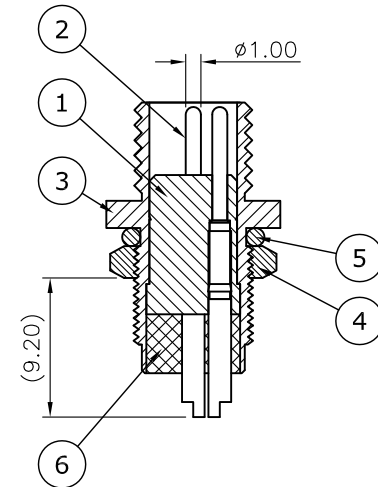
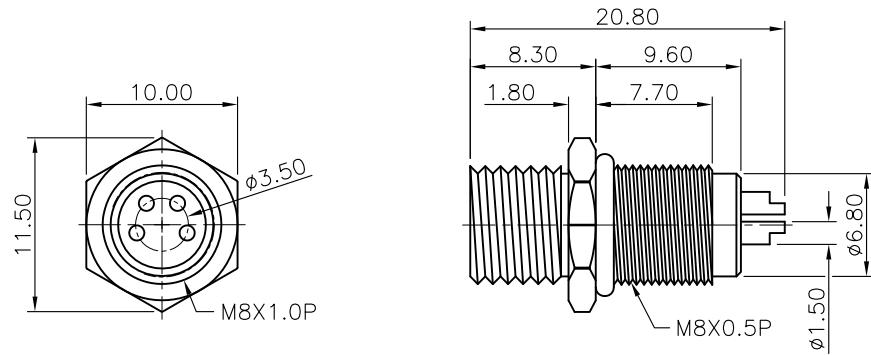


REV.	DESCRIPTION	DRAWN	DATE
1	INITIAL RELEASE	TIM	2016/08/23

SPECIFICATION:

1. ELECTRICAL
 - 1.1 Current Rating: 5A
 - 1.2 Voltage Rating: 125V
 - 1.3 Water Proof: IP67
 - 1.4 Operating Temperature: -40°C~+105°C



NUT

RECOMMEND PANEL CUT OUT

6	EPOXY BASE	
5	O-RING	NBR, BLACK
4	NUT	BRASS, NICKEL PLATED
3	SHELL	BRASS, NICKEL PLATED
2	CONTACT	Brass, 10u" GOLD PLATED UNDER NICKEL
1	HOUSING	PBT, UL94V-0, BLACK

NO.	PART NAME	DESCRIPTION	
UNLESS OTHERWISE SPECIFIED TOLERANCE			
UNIT:	DECIMAL	LINEAR	ANGLES
mm	X.	±0.50	±5°
	X.X	±0.25	±3°
	X.XX	±0.12	±1°
WWW.ATTEND.COM.TW			
DRAWN	Tim	2016/08/23	DRAWN NAME:
CHECKED	Fros	2016/08/23	M8 A-Code Receptacle, 4Pin Male Solder Type Rear Fastened
APPROVED	Ken	2016/08/23	PRODUCT NO. 219A-04MAR
SCALE	SHEET	SIZE	FILE NAME
2/1	1/1	A4	219A-04MAR_B_1

