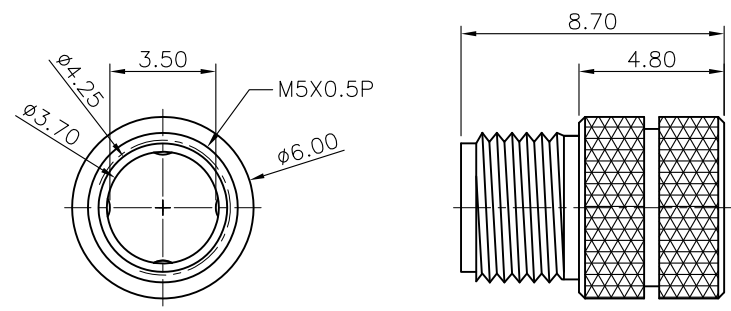
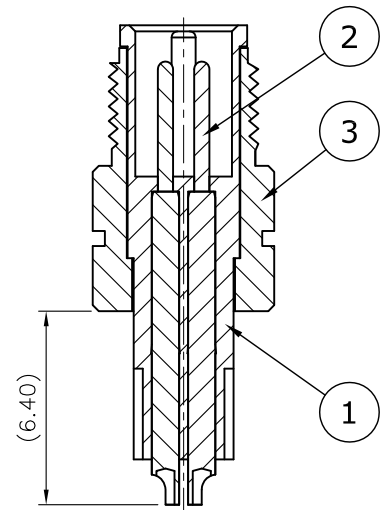
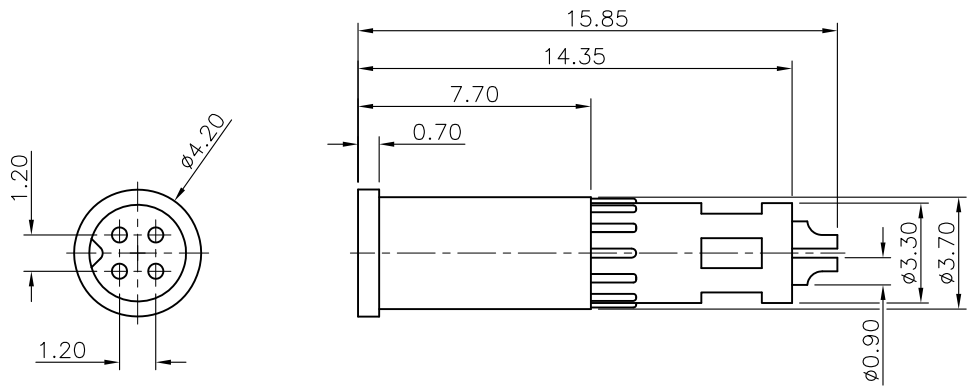


REV.	DESCRIPTION	DRAWN	DATE
1	INITIAL RELEASE	TIM	2016/08/17


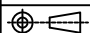
**SPECIFICATION:**

1. CURRENT RATING: 1A
2. VOLTAGE: 60V
3. WATER PROOF: IP67
4. OPERATION TEMPERATURE: -40°C TO +85°C



NUT

3	NUT	BRASS, NICKEL PLATED
2	CONTACT	BRASS, GOLD FLASH OVER NICKEL PLATING
1	HOUSING	TPU, BLACK
NO	PART NAME	DESCRIPTION

UNLESS OTHERWISE SPECIFIED TOLERANCE					
UNIT:	DECIMAL	LINEAR	ANGLES		
mm	X.	$\pm 0.50$	$\pm 5^\circ$	WWW.ATTEND.COM.TW	
	X.X	$\pm 0.25$	$\pm 3^\circ$		
	X.XX	$\pm 0.12$	$\pm 1^\circ$		
DRAWN	Tim	2016/08/17	DRAWN NAME: M5 A-Code Plug for Cable 4Pin Male For Overmold with Cable		
CHECKED	Fros	2016/08/17	PRODUCT NO. 220A-04MO0		
APPROVED	Ken	2016/08/17	FILE NAME 220A-04MO0_B_1		
	SCALE 4/1	SHEET 1/1	SIZE A4		