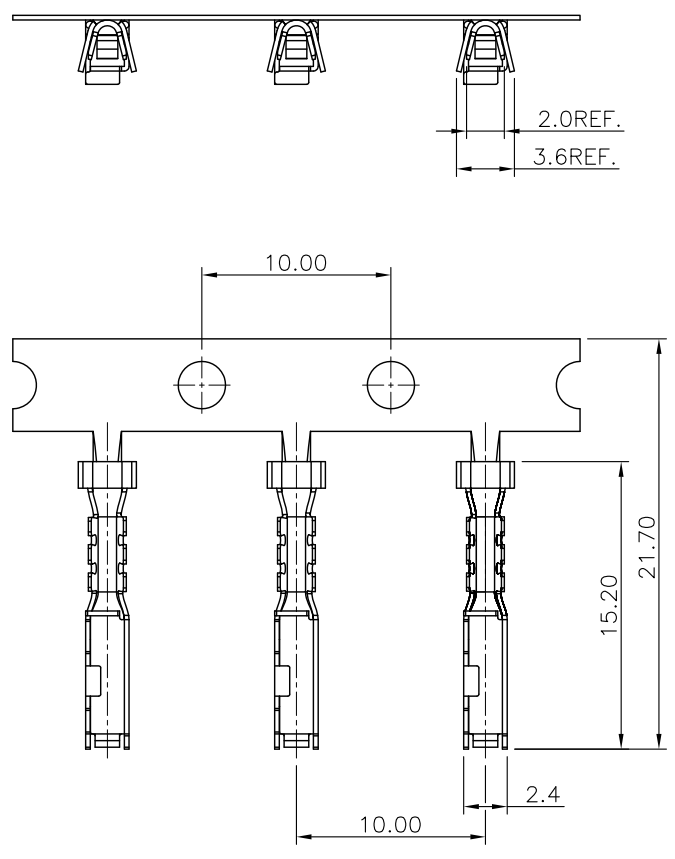


REV.	DESCRIPTION	DRAWN	DATE
1	INITIAL RELEASE	TIM	2019/03/15



1	TERMINAL	Brass, Matte Tin plating over Nickel		
NO	PART NAME	DESCRIPTION		
UNLESS OTHERWISE SPECIFIED TOLERANCE				
UNIT:	DECIMAL	LINEAR	ANGLES	
mm	X.	±0.50	±5°	
	X.X	±0.25	±3°	
	X.XX	±0.12	±1°	
DRAWN		Tim	2019/03/15	DRAWN NAME: OBD2 Terminal, Female Pin, Crimp Brass, Tin, 18-22AWG
CHECKED		Fros	2019/03/15	
APPROVED		Ken	2019/03/15	PRODUCT NO. 226B-T002
SCALE		2.5	SHEET 1/1	SIZE A4
FILE NAME		226B-T002_B_1		



www.attend.com.tw