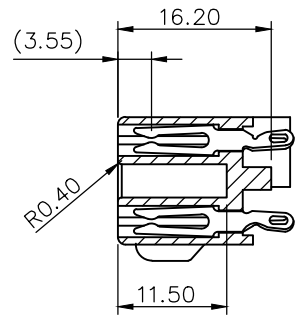
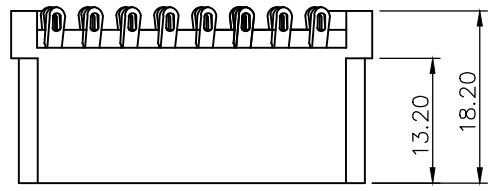


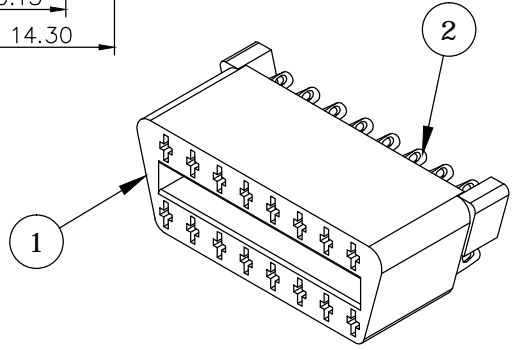
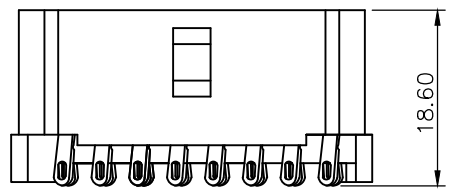
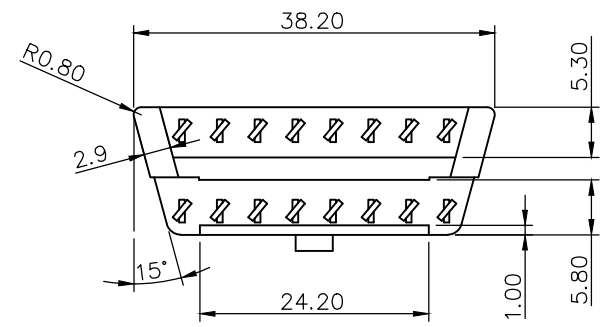
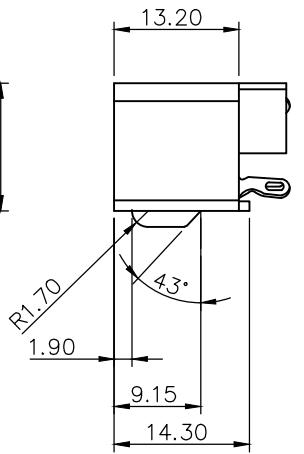
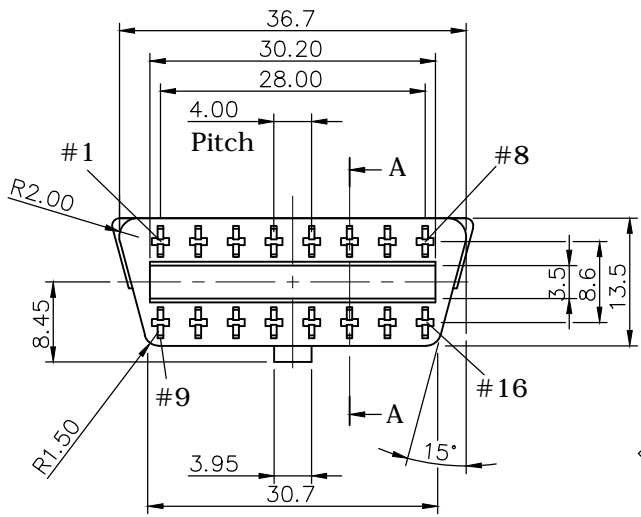
REV.	DESCRIPTION	DRAWN	DATE
1	INITIAL RELEASE	TIM	2019/03/15

**SPECIFICATION:**

1. ELECTRICAL
  - 1.1 Current Rating: 6A Max
  - 1.2 Voltage Rating: 30V DC
  - 1.3 Contact Resistance: 100mΩ Max
  - 1.4 Insulation Resistance: 100MΩ Min
  - 1.5 Dielectric Withstanding Voltage: 1000VAC
2. MECHANICAL
  - 2.1 Durability: 200 Cycle
  - 2.2 Insertion Force: 142N max.
  - 2.3 Extraction Force: 88N max.
3. ENVIRONMENTAL
  - 3.1 Operating temperature range: -40 °C~+85°C



**SECTION A-A**



2	CONTACT	BRASS, BRIGHT TIN PLATED UNDER NICKEL	
1	HOUSING	PA66, UL94V-0, BLACK	
NO	PART NAME	DESCRIPTION	
UNLESS OTHERWISE SPECIFIED TOLERANCE			
UNIT:	DECIMAL	LINEAR	ANGLES
	mm	X, ±0.50	±5°
		X.X, ±0.25	±3°
		X.XX, ±0.12	±1°
DRAWN		Tim	2019/03/15
CHECKED		Fros	2019/03/15
APPROVED		Ken	2019/03/15
SCALE		1.25	
SHEET		1/1	
SIZE		A4	
DRAWN NAME:		OB2 Type A Female Connector	
CHECKED		16Pin, 12V, Solder Pin, Overmold	
APPROVED		PRODUCT NO.	226B-1201
FILE NAME		226B-1201_B_1	

