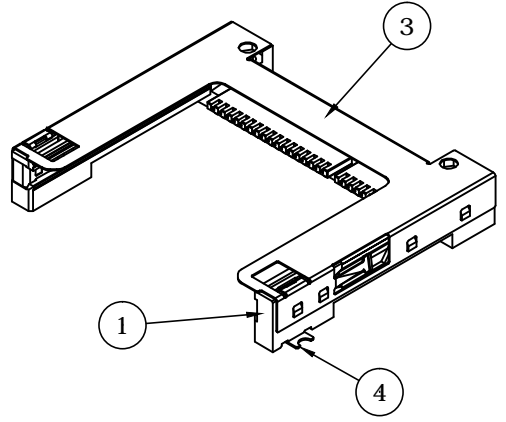
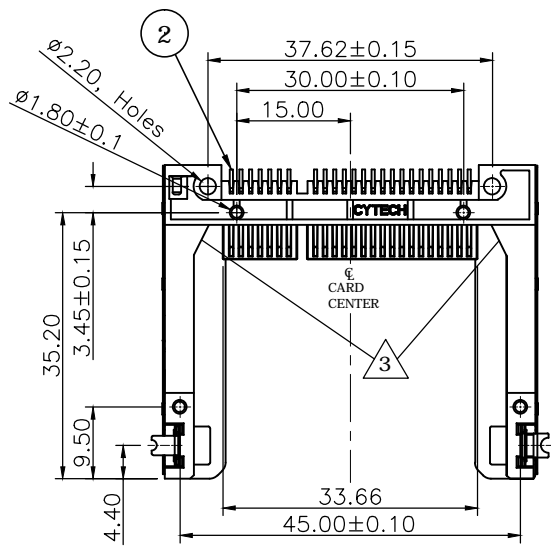
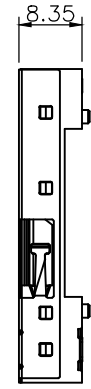
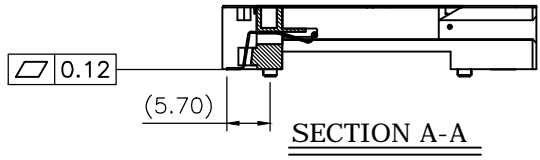
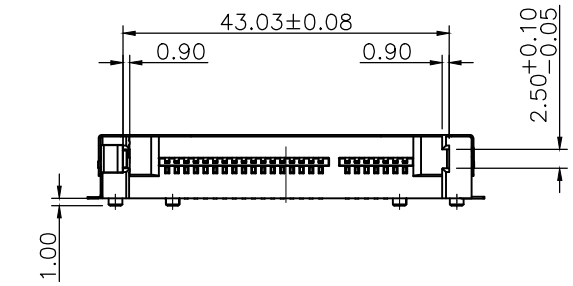
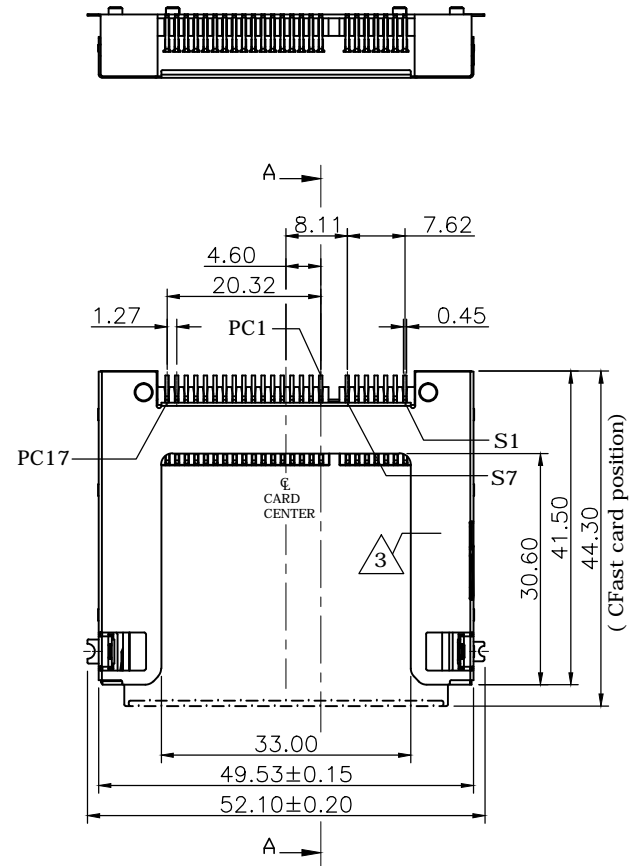


REV.	DESCRIPTION	DRAWN	DATE
1	INITIAL RELEASE	Willis	2012/07/04
2	Revised plated to 10u" gold	Willis	2013/05/07
3	Corrected shell & housing shape	FROS	2015/05/04

SPECIFICATION:

1. ELECTRICAL
 - 1.1 Current Rating: 1.5A
 - 1.2 Voltage Rating: 100V AC/DC
 - 1.3 Contact Resistance: 30mΩ
 - 1.4 Insulation Resistance: 1000MΩ
 - 1.5 Dielectric Withstanding Voltage: 500VDC
2. MECHANICAL
 - 2.1 Durability: 10000 Cycle
 - 2.2 Insertion Force: 28.8N max.
 - 2.3 Extraction Force: 3.7~24.5N max.
3. ENVIRONMENTAL
 - 3.1 Operating temperature range: -40°C ~ +85°C
 - 3.2 Storage temperature range: -40°C ~ +85°C
4. SOLDER ABILITY
 - 4.1 Recommended IR Reflow Temperature: 260°C

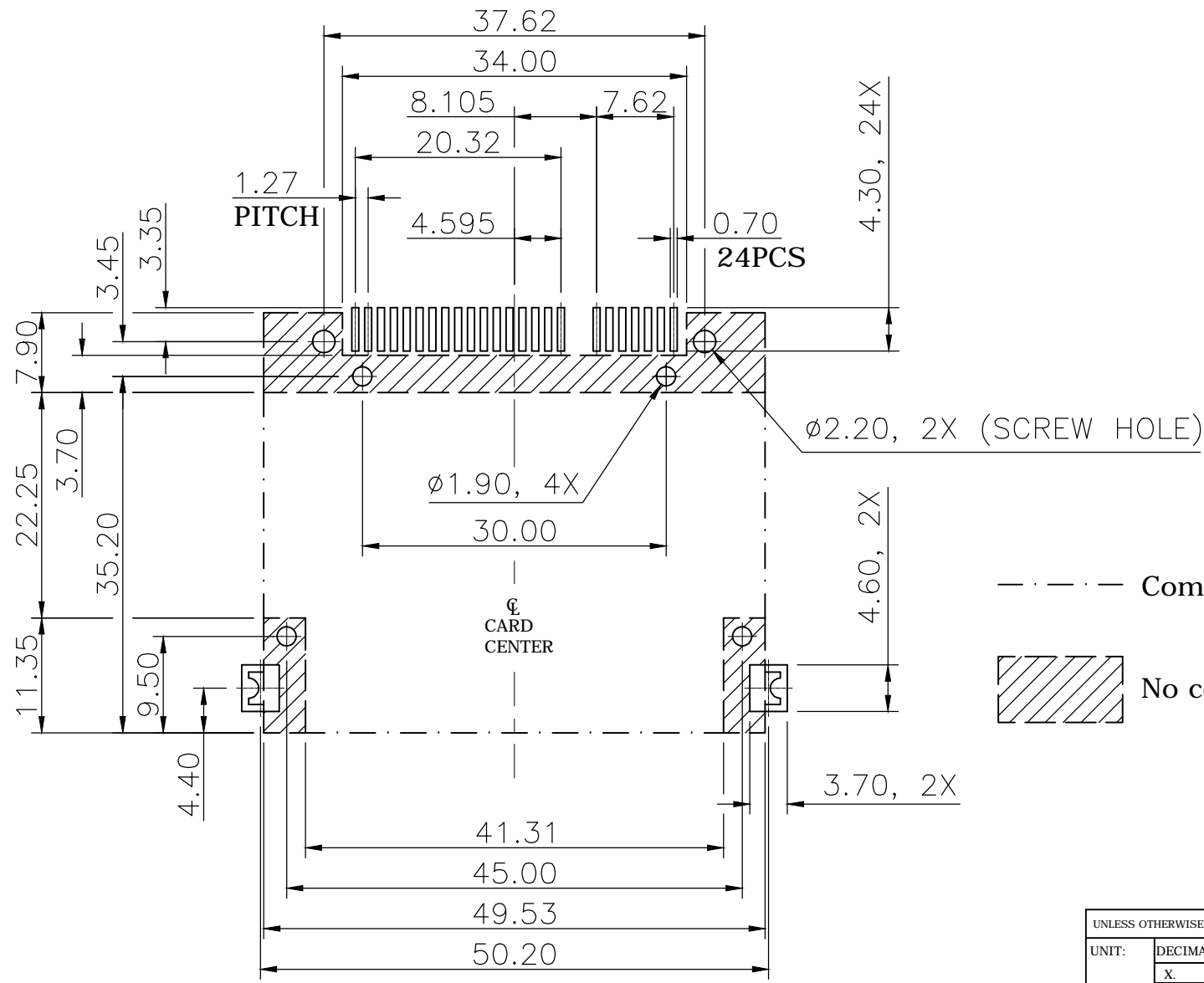


4	Hold down	Brass C2680, 0.2t, Tin Plating	
3	Shell	Stainless Steel SUS304, 0.2T	
2	Contact	Phosphor Bronze C5210, 0.2t, 10u" Gold	
1	Housing	LCP UL94V-0 Black	
NO.	PART NAME	DESCRIPTION	
UNLESS OTHERWISE SPECIFIED TOLERANCE			
UNIT:	DECIMAL	LINEAR	ANGLES
	mm	X. ±0.50	±5°
		X.X ±0.25	±3°
		X.XX ±0.12	±1°
DRAWN Willis 2012/07/04			DRAWN NAME: CFAST Socket 8.35H Type II
CHECKED Angel 2012/07/04			
APPROVED Ken 2012/07/04			PRODUCT NO. 120A-835D00
SCALE 1/1 SHEET 1/2 SIZE A4			FILE NAME 120A-835D00_B_3




WWW.ATTEND.COM.TW

REV.	DESCRIPTION	DRAWN	DATE
	see sheet one		



RECOMMENDED LAYOUT (TOP VIEW)
GENERAL TOLERANCE: ±0.05

UNLESS OTHERWISE SPECIFIED TOLERANCE				 WWW.ATTEND.COM.TW		
UNIT:	DECIMAL	LINEAR	ANGLES			DRAWN NAME: CFAST Socket 8.35H TypeII
mm	X.	±0.50	±5°			
	X.X	±0.25	±3°			
	X.XX	±0.12	±1°			
DRAWN	Willis	2012/07/04	PRODUCT NO.	120A-835D00		
CHECKED	Angel	2012/07/04	FILE NAME	120A-835D00_B_3		
APPROVED	Ken	2012/07/04	SCALE	1.6		
			SHEET	2/2		
			SIZE	A4		