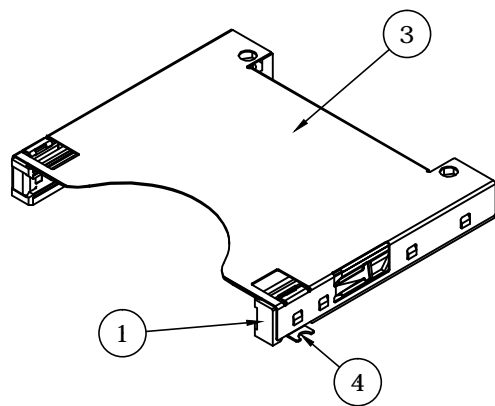
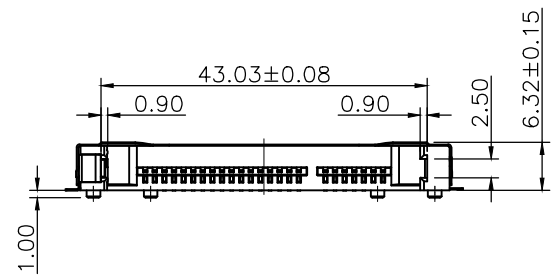
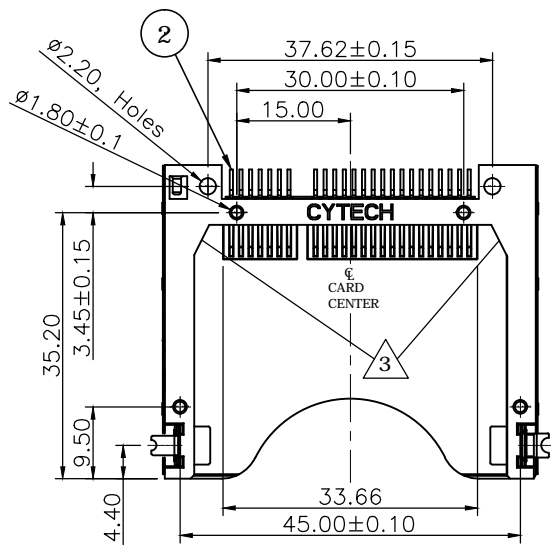
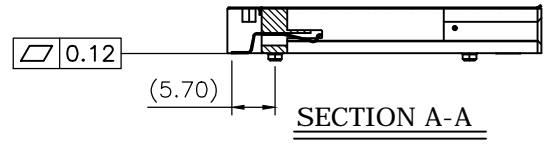
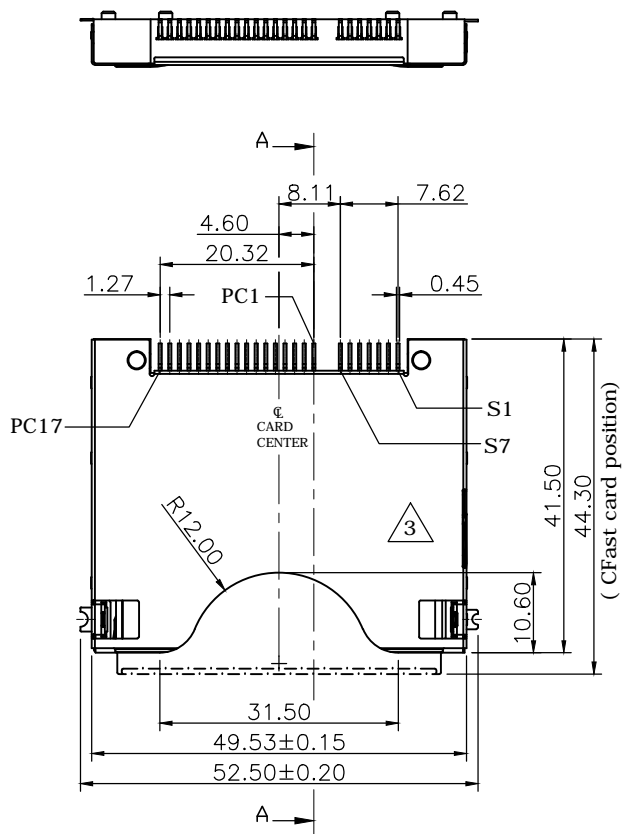


REV.	DESCRIPTION	DRAWN	DATE
1	INITIAL RELEASE	Willis	2012/07/04
2	Revised plated to 10u" gold	Willis	2013/05/07
3	Corrected shell & housing shape	FROS	2015/05/04



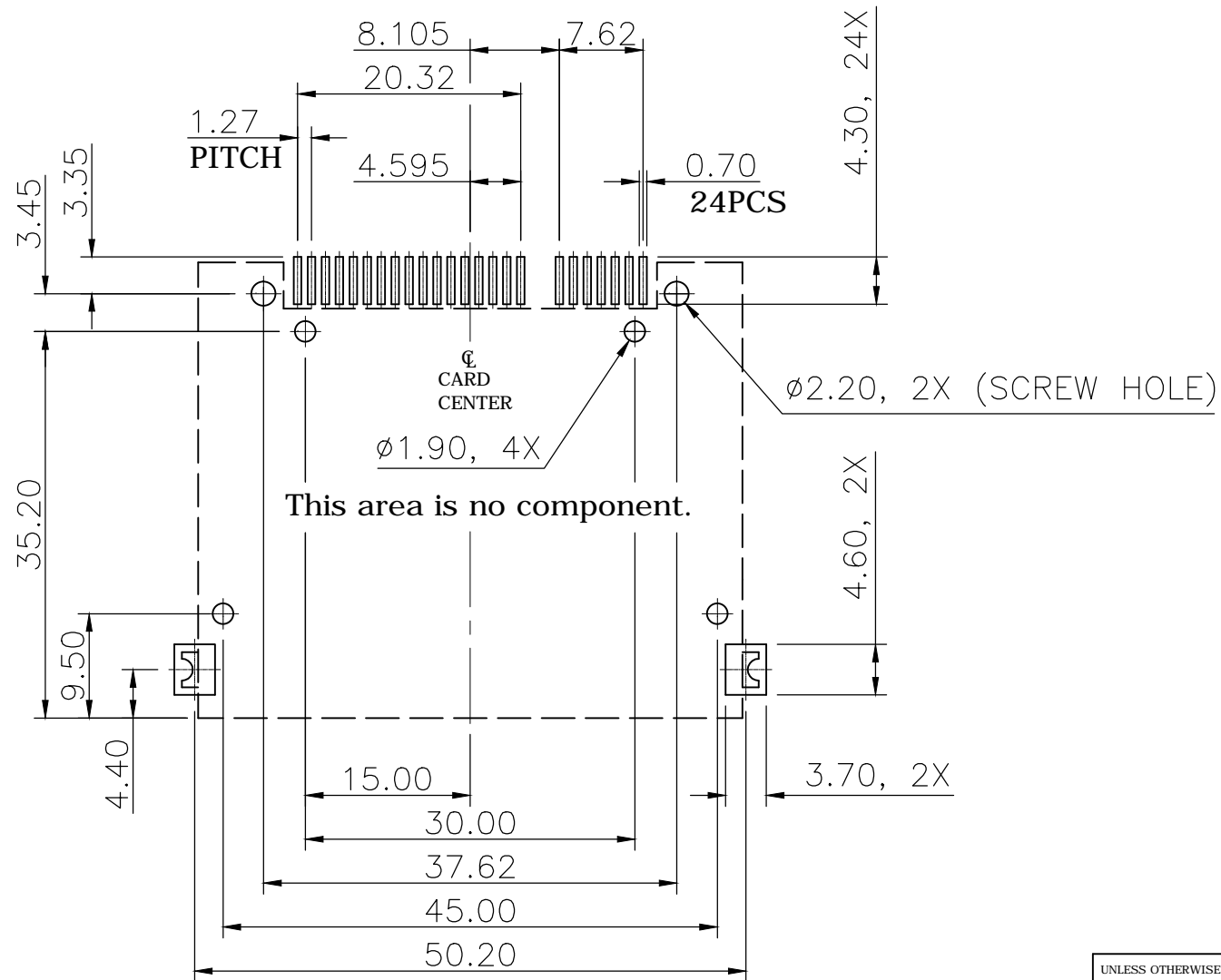
**SPECIFICATION:**

1. ELECTRICAL
  - 1.1 Current Rating: 1.5A
  - 1.2 Voltage Rating: 100V AC/DC
  - 1.3 Contact Resistance: 30mΩ
  - 1.4 Insulation Resistance: 1000MΩ
  - 1.5 Dielectric Withstanding Voltage: 500VDC
2. MECHANICAL
  - 2.1 Durability: 10000 Cycle
  - 2.2 Insertion Force: 28.8N max.
  - 2.3 Extraction Force: 3.7~24.5N max.
3. ENVIRONMENTAL
  - 3.1 Operating temperature range: -40°C ~ +85°C
  - 3.2 Storage temperature range: -40°C ~ +85°C
4. SOLDER ABILITY
  - 4.1 Recommended IR Reflow Temperature: 260°C


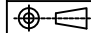
4	Hold down	Brass C2680, 0.2t, Tin Plating	
3	Shell	Stainless Steel SUS304, 0.2T	
2	Contact	Phosphor Bronze C5210, 0.2t, 10u" Gold	
1	Housing	LCP UL94V-0 Blcak	
NO.	PART NAME	DESCRIPTION	
UNLESS OTHERWISE SPECIFIED TOLERANCE			
UNIT:	DECIMAL	LINEAR	ANGLES
	X.	±0.50	±5°
	X.X	±0.25	±3°
	X.XX	±0.12	±1°
WWW.ATTEND.COM.TW			
DRAWN	Willis	2012/07/04	DRAWN NAME: CFAST Socket 6.05H TypeII
CHECKED	Angel	2012/07/04	
APPROVED	Ken	2012/07/04	PRODUCT NO. 120A-605D00
SCALE	1/1	SHEET	1/2
		SIZE	A4
FILE NAME		120A-605D00_B_3	



REV.	DESCRIPTION	DRAWN	DATE
	see sheet one		



**RECOMMENDED LAYOUT (TOP VIEW)**  
**GENERAL TOLERANCE: ±0.05**

UNLESS OTHERWISE SPECIFIED TOLERANCE				 WWW.ATTEND.COM.TW	
UNIT:	DECIMAL	LINEAR	ANGLES		
mm	X.	±0.50	±5°		
	X.X	±0.25	±3°		
	X.XX	±0.12	±1°		
DRAWN	Willis	2012/07/04	DRAWN NAME:		
CHECKED	Angel	2012/07/04	CFAST Socket 6.05H TypeII		
APPROVED	Ken	2012/07/04	PRODUCT NO.	120A-605D00	
	SCALE	SHEET	SIZE	FILE NAME	
	1.6	2/2	A4	120A-605D00_B_3	