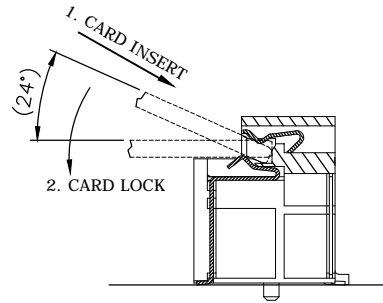
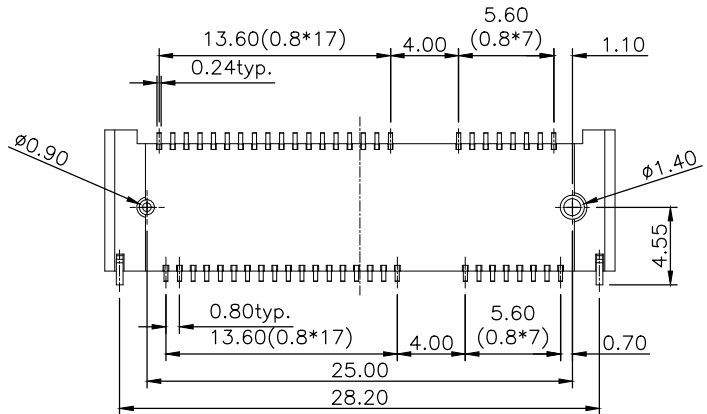
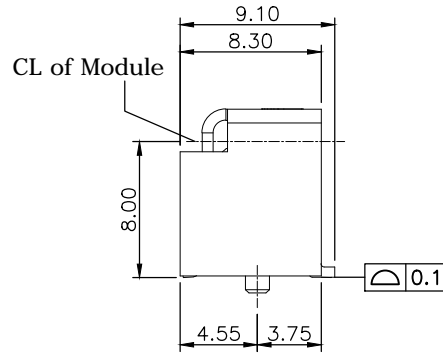
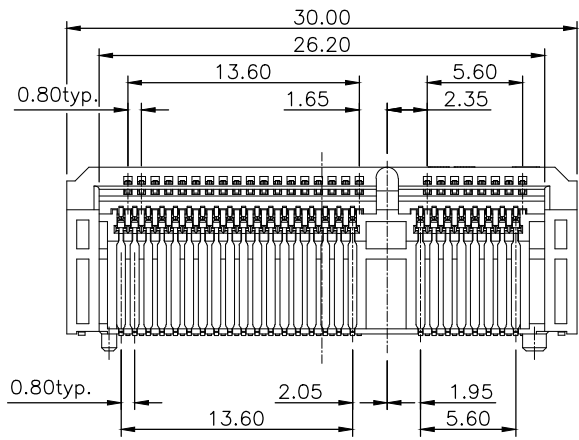
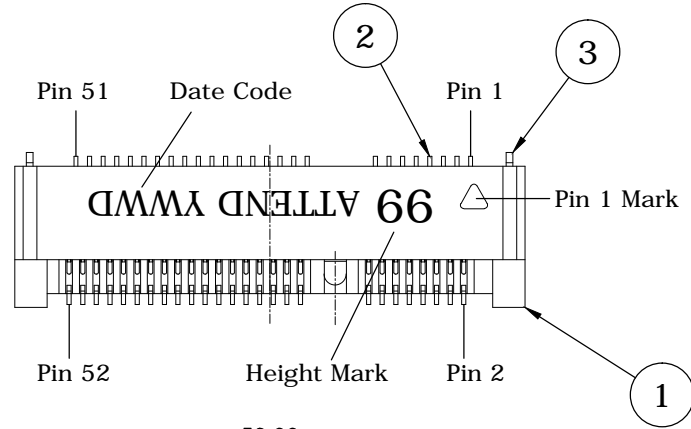


REV.	DESCRIPTION	DRAWN	DATE
1	INITIAL RELEASE	FROS	2019/08/12


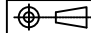


SPECIFICATION:

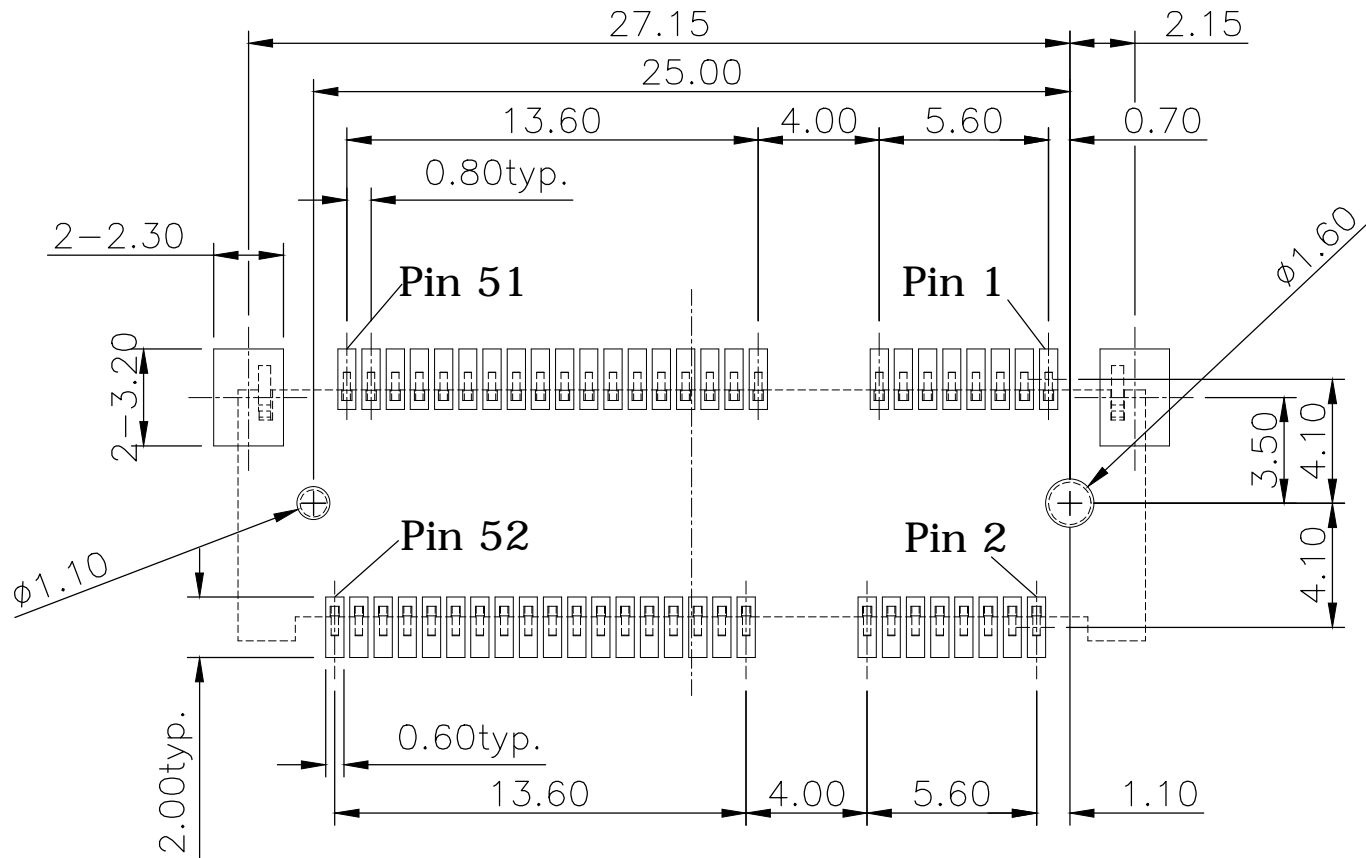
1. ELECTRICAL
 - 1.1 Current Rating: 0.5A per pin
 - 1.2 Voltage Rating: 50VAC
 - 1.3 Contact Resistance: 30mΩ
 - 1.4 Insulation Resistance: 500MΩ
 - 1.5 Dielectric Withstanding Voltage: 250VAC
2. MECHANICAL
 - 2.1 Durability: 50 Cycle
 - 2.2 Contact Normal Force: 50gf per pin min.
 - 2.3 Contact Retention Force: 180gf per pin min.
3. ENVIRONMENTAL
 - 3.1 Operating temperature range: -40°C~+90°C
 - 3.2 Storage temperature range: -40°C~+90°C
4. SOLDER ABILITY
 - 4.1 Recommended IR-Reflow Temperature: 260°C

Date Code: Y WW D
 Year | | Day(1~7)
 | | Week(1~52)


3	HOLD DOWN	Brass, C2680R-H, solder area: 100u" Matte Tin plated, under-plated 50u" Nickel
2	CONTACT	Phosphor Bronze, C5191R-H conatct area: Gold Flash, solder area: 100u" Matte Tin, all under-plated 50u" Nickel
1	HOUSING	LCP, UL94V-0, Black
NO.	PART NAME	DESCRIPTION

UNLESS OTHERWISE SPECIFIED TOLERANCE				 WWW.ATTEND.COM.TW
UNIT:	DECIMAL	LINEAR	ANGLES	
mm	X.	±0.50	±5°	
	X.X	±0.25	±3°	
	X.XX	±0.12	±1°	
DRAWN	Fros	2019/08/12	DRAWN NAME:	
CHECKED	Tim	2019/08/12	Mini PCI Express Connector, H9.9mm	
APPROVED	Ken	2019/08/12	PRODUCT NO. 119A-99A00-R02	
	SCALE	SHEET	SIZE	FILE NAME
	2.25/1	1/2	A4	119A-99A00-R02_B_1

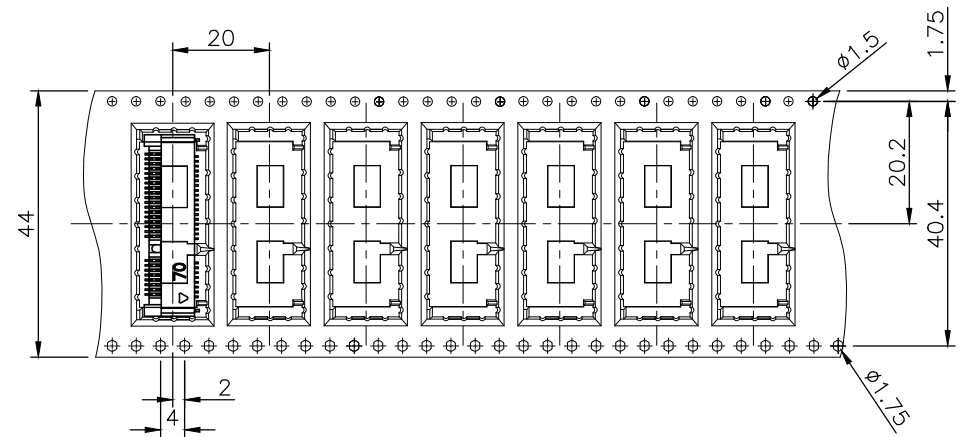
REV.	DESCRIPTION	DRAWN	DATE
	SEE SHEET ONE		



RECOMMEND LAYOUT (TOP VIEW)
GENERAL TOLERANCE: ± 0.05

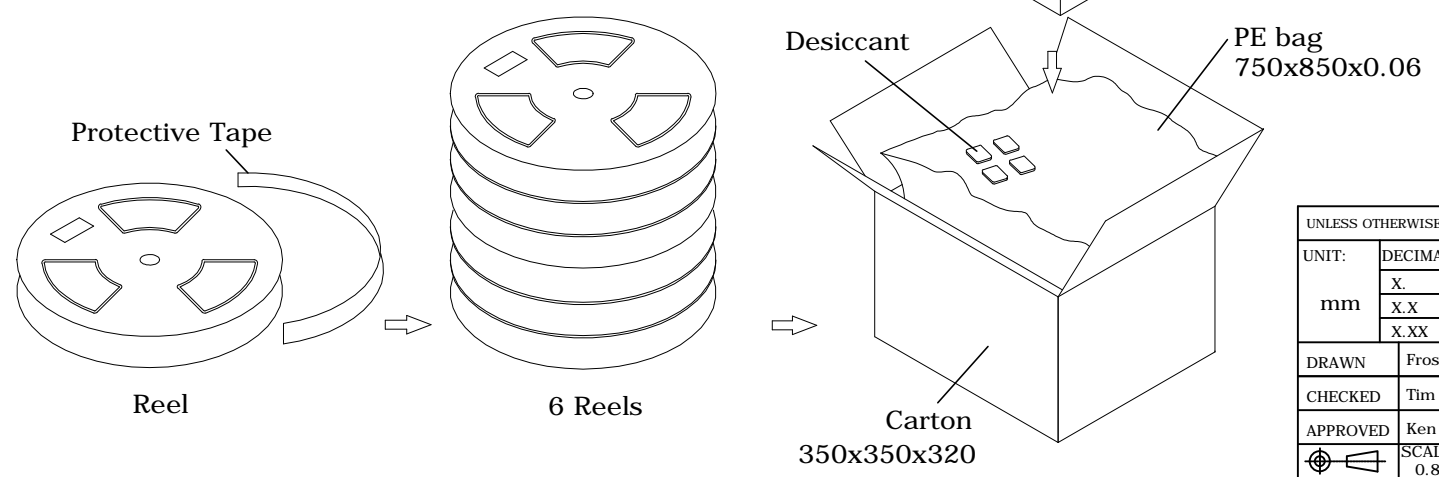
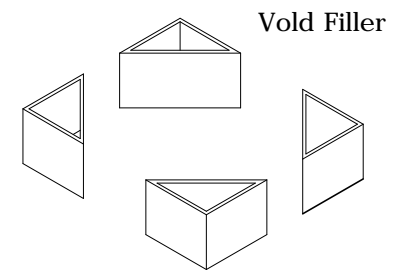
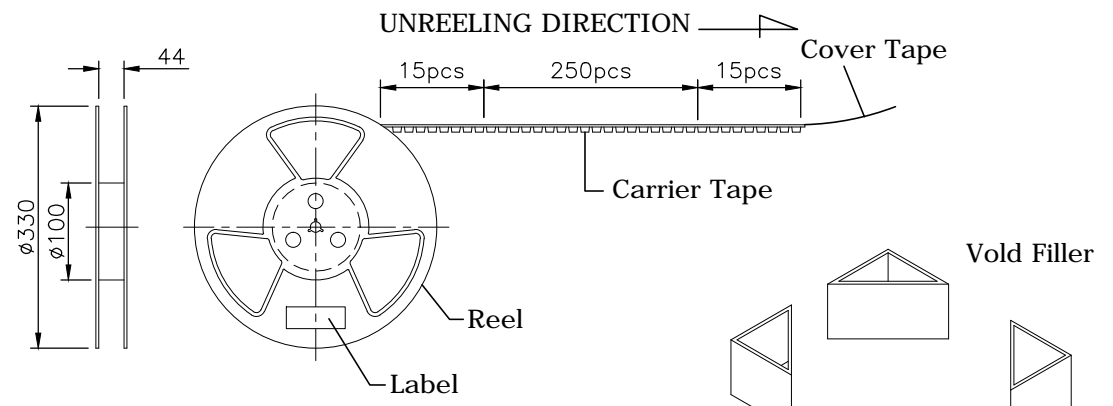
UNLESS OTHERWISE SPECIFIED TOLERANCE				 WWW.ATTEND.COM.TW	
UNIT:	DECIMAL	LINEAR	ANGLES		
mm	X.	± 0.50	$\pm 5^\circ$		
	X.X	± 0.25	$\pm 3^\circ$		
	X.XX	± 0.12	$\pm 1^\circ$	DRAWN NAME: Mini PCI Express Connector, H9.9mm	
DRAWN	Fros	2019/08/12	PRODUCT NO. 119A-99A00-R02		
CHECKED	Tim	2019/08/12	FILE NAME 119A-99A00-R02_B_1		
APPROVED	Ken	2019/08/12			
SCALE 4/1		SHEET 2/2	SIZE A4		

REV.	DESCRIPTION	DRAWN	DATE
1	INITIAL RELEASE	FROS	2019/08/12



PACKAGING SPECIFICATION:

1. MATERIAL
 - 1.1 Embossed Carrier Tape: PS Black
 - 1.2 Top Cover Tape: PET
20-80g(Peel Speed 300mm/Minute)
 - 1.3 Taping Reel: Plastic
2. PACKING
 - 2.1 Quantity:
 - 250 Piece/Reel
 - 6 Reel/ Carton
 - 1,500 Piece/ Carton



UNLESS OTHERWISE SPECIFIED TOLERANCE			
UNIT:	DECIMAL	LINEAR	ANGLES
mm	X.	±0.50	±5°
	X.X	±0.25	±3°
	X.XX	±0.12	±1°

DRAWN	Fros	2019/08/12	DRAWN NAME:	Mini PCI Express Connector, H9.9mm	
CHECKED	Tim	2019/08/12	PRODUCT NO.	119A-99A00-R02	
APPROVED	Ken	2019/08/12	FILE NAME	119A-99A00-R02_D_1	
SCALE	0.8/1	SHEET	1/1	SIZE	A4