

SPECIFICATIONS:

CONTACT RATING: 6A 250VAC 10A 125VAC.
 ELECTRICAL LIFE: 10,000 Operations.
 MECHANICAL LIFE: 50,000 Operations.
 CONTACT RESISTANCE: <20m-ohms.
 INSULATION RESISTANCE: >1,000M-ohms.
 DIELECTRIC STRENGTHS: >1,500 volts 1min.
 >3,000 Volts between poles.

MATERIALS:

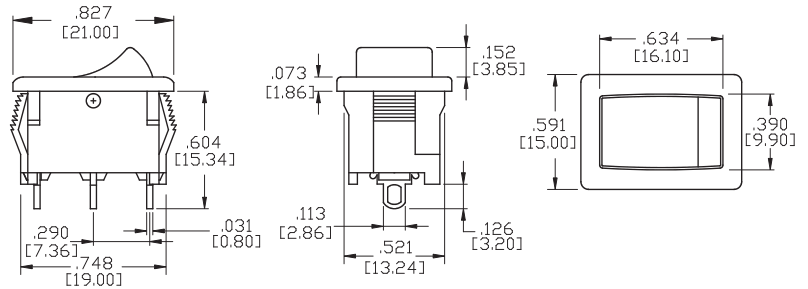
HOUSING: 66 Nylon(UL 94V-2).
 ACTUATOR: 66 Nylon(UL 94V-2).
 MOVABLE CONTACTS: Copper, silver plated.
 STATIONARY CONTACTS: Copper, silver plated.
 TERMINALS: Copper, silver plated.
 CONTACT SPRING: Piano wire.

Specifications and Dimensions subject to change



SPST & SPDT

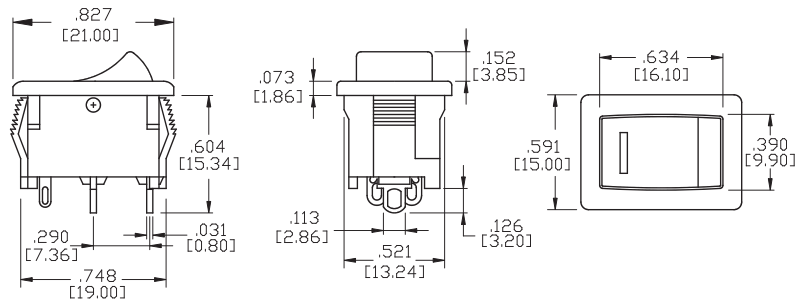
Model No.	Type
33A	ON-OFF
33B	ON-ON
33C	(ON)-OFF
33D	ON-(OFF)
33F	ON-OFF-ON
33H	(ON)-OFF-(ON)



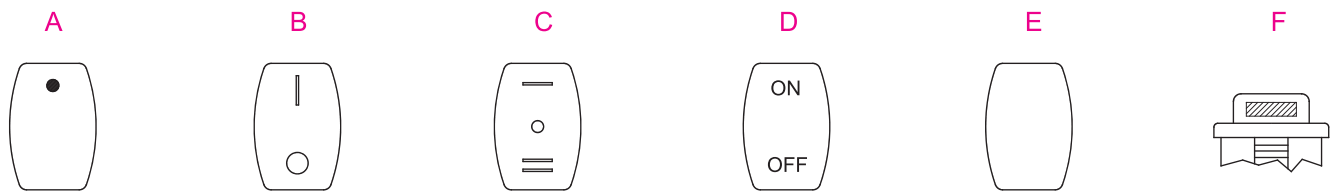
SPST

Model No.	Type
R19-33E	ON-OFF W/LED
R19-33G	SPDT ON-(ON)

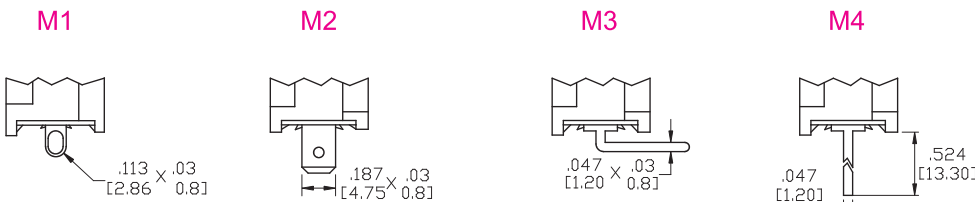
LED Color	
1	Red
2	Yellow
3	Green
4	Blue



MARK OPTIONS



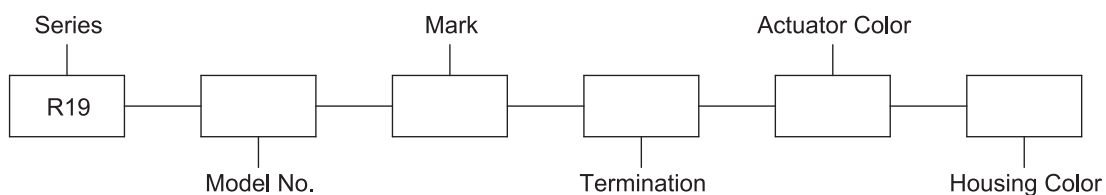
TERMINATION OPTIONS



COLOR OPTIONS

Actuator and Housing Colors	
1	White
2	Black (Std.)
3	Red
4	Charcoal Gray

HOW TO ORDER



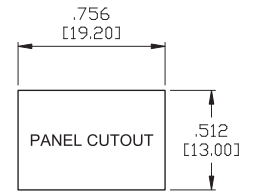
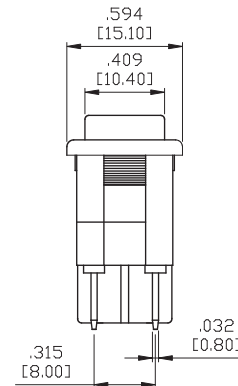
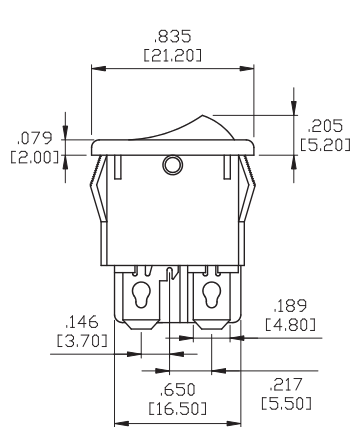
SPECIFICATIONS:

CONTACT RATING: 5A 250VAC 10 125VAC.
 ELECTRICAL LIFE: 10,000 Operations.
 MECHANICAL LIFE: 50,000 Operations.
 CONTACT RESISTANCE: <20m-ohms.
 INSULATION RESISTANCE: >1,000M-ohms.
 DIELECTRIC STRENGTHS: >1,500 volts 1min.
 >3,000 volts between poles.

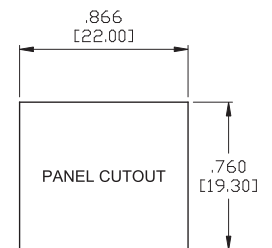
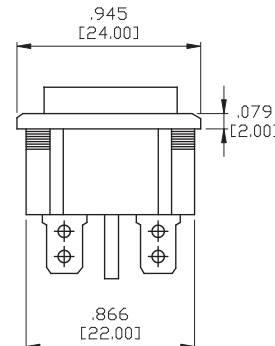
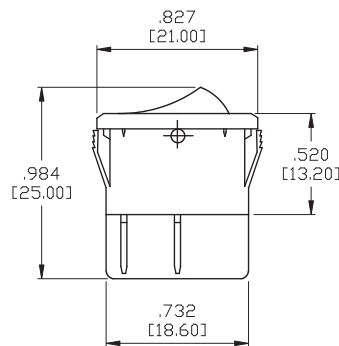
MATERIALS:

HOUSING: 66 Nylon(UL 94V-2).
 ACTUATOR: 66 Nylon(UL 94V-2).
 MOVABLE CONTACTS: Copper, silver plated.
 STATIONARY CONTACTS: Copper, silver plated.
 TERMINALS: Copper, silver plated.
 CONTACT SPRING: Piano wire.

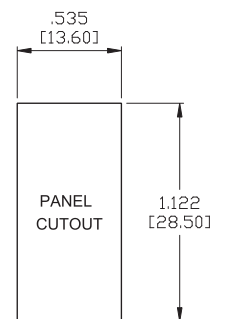
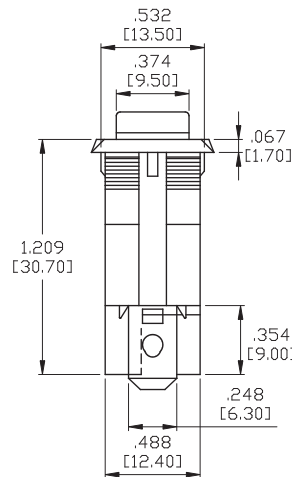
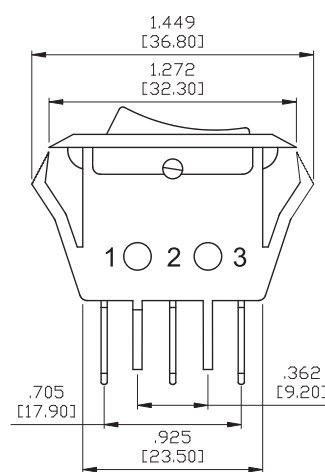
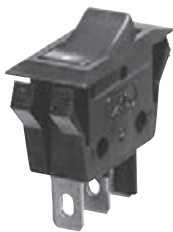
Specifications and Dimensions subject to change



Model No.	Type
R19-001 SPST ILLUMINATED	ON-OFF
R19-20 DPST	ON-OFF
R19-201 DPST ILLUMINATED	ON-OFF
R19-00 SPST	ON-OFF



Model No.	Type
JS-606PA	ON-OFF
JS-606PB	ON-ON
JS-606PC	ON-OFF-ON
JS-606PD	(ON)-OFF



Model No.	Type
R902 SPST ILLUMINATED	ON-OFF
R902A SPST	ON-OFF
R902B SPST	ON-OFF-ON

SPECIFICATIONS:

CONTACT RATING: 10A 250VAC 16A 125VAC.
 ELECTRICAL LIFE: 20,000 cycles.
 MECHANICAL LIFE: 50,000 cycles.
 CONTACT RESISTANCE: 50m-ohms.
 INSULATION RESISTANCE: DC 500V 100M-ohms min.
 DIELECTRIC STRENGTHS: AC 1,500V 1min.

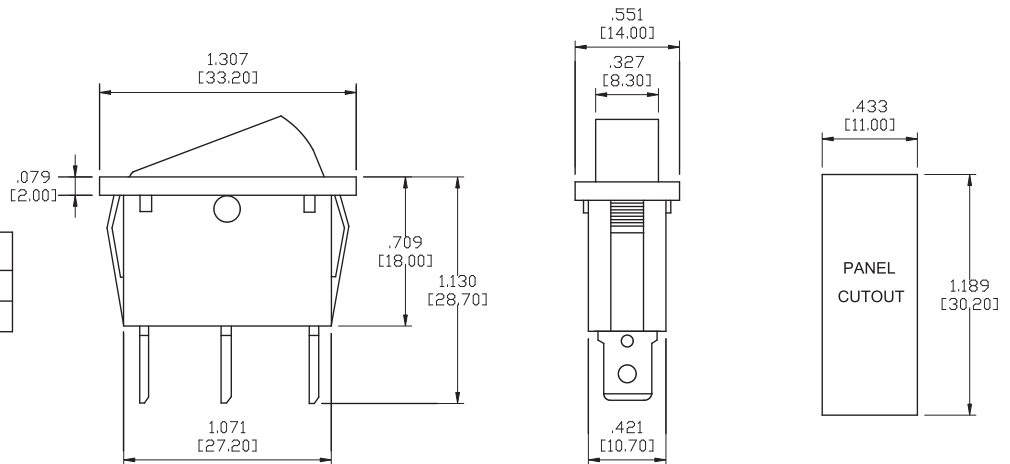
MATERIALS:

HOUSING: 66 Nylon(UL 94V-2).
 ACTUATOR: 66 Nylon(UL 94V-2).
 MOVABLE CONTACTS: Copper, silver plated.
 STATIONARY CONTACTS: Copper, silver plated.
 TERMINALS: Copper, silver plated.
 CONTACT SPRING: Piano wire.

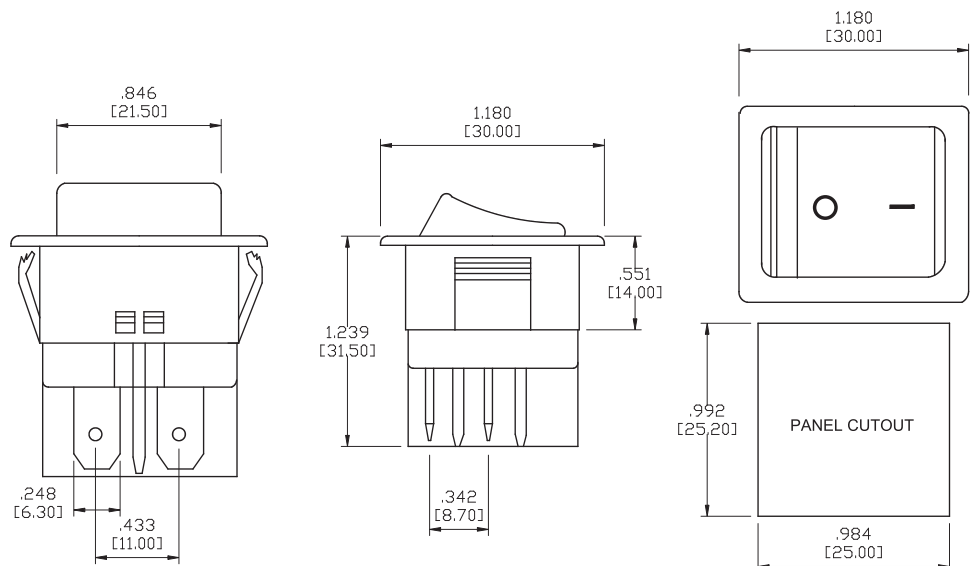
Specifications and Dimensions subject to change



Model No.	Type
R30-001	SPST ILLUMINATED
R30-00	SPST ON-OFF

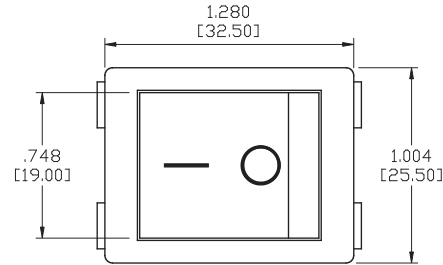
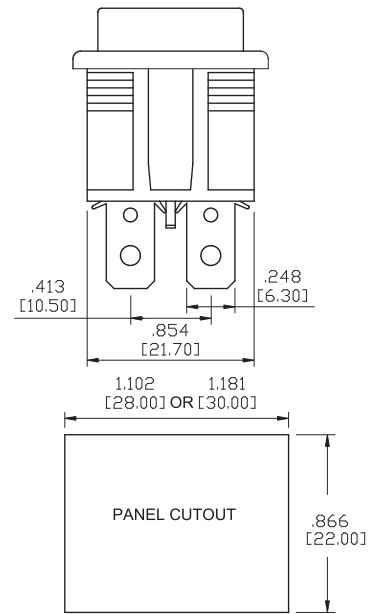
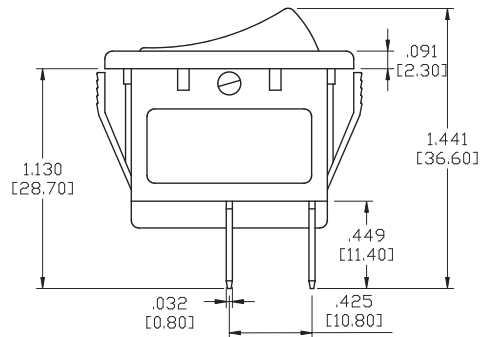


Model No.	Type
JS-618A	DPST ON-OFF
JS-618B	DPDT ON-ON



Series R19

Power Rocker Switches



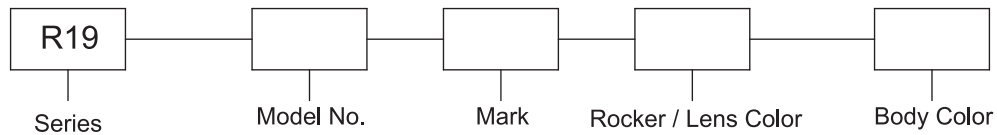
Model No.	Type
JS-608L	DPST ILLUMINATED
JS-608A	DPST ON-OFF
JS-608B	DPDT ON-ON
JS-608C	DPDT ON-OFF-ON

COLOR OPTIONS

Rocker / Lens Color			
1	White/Milky	6	Red
2	Black	7	Orange/Amber
3	Charcoal Gray	8	Green
4	Lt. Gray	9	Blue
5	-		

Body Color	
A	White
B	Black
C	Charcoal Gray
D	Light Gray

HOW TO ORDER



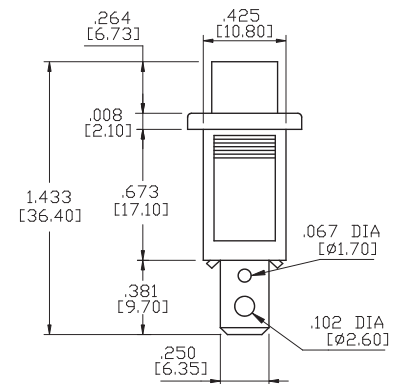
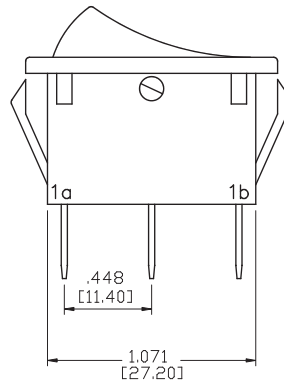
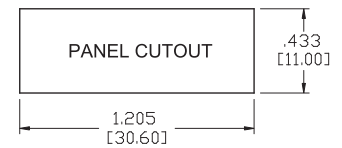
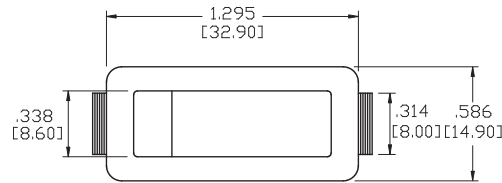
SPECIFICATIONS:

CONTACT RATING: 10A 250V AC 16A 125V AC.
 ELECTRICAL LIFE: 20,000 cycles.
 MECHANICAL LIFE: 50,000 cycles.
 CONTACT RESISTANCE: 50m-ohms.
 INSULATION RESISTANCE: DC 500V 100M-ohms min.
 DIELECTRIC STRENGTHS: AC 1500V 1 min.

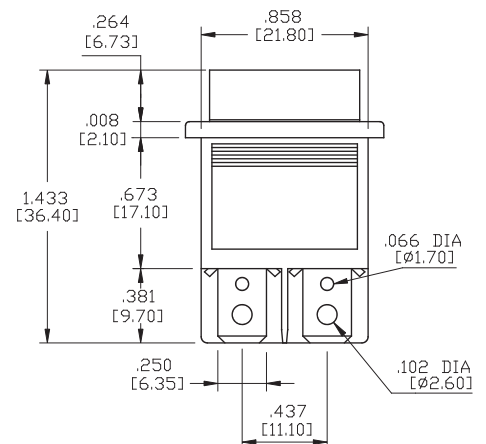
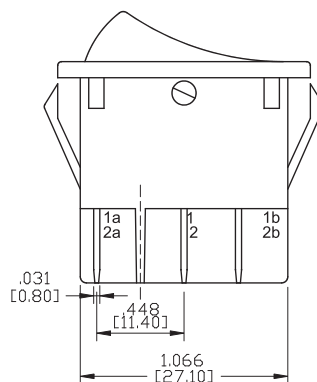
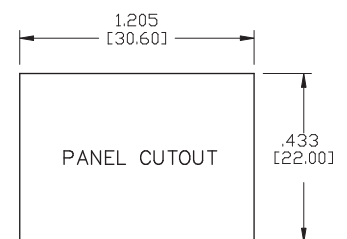
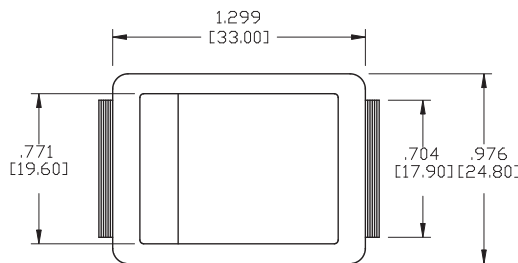
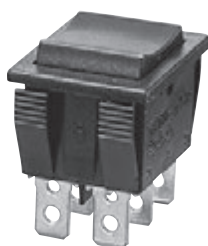
MATERIALS:

HOUSING: 66 Nylon(UL 94V-2).
 ACTUATOR: 66 Nylon(UL 94V-2).
 MOVABLE CONTACTS: Copper, silver plated.
 STATIONARY CONTACTS: Copper, silver plated.
 TERMINALS: Copper, silver plated.
 CONTACT SPRING: Piano wire.

Specifications and Dimensions subject to change



Model No.	Type
R-41	SPST ON-OFF
R-42	SPST ILLUMINATED
R-43	SPDT ON-OFF-ON
R-44	SPDT ON-(ON)
R-45	SPDT ON-ON
R-46	SPDT (ON)-OFF-(ON)
R-47	SPDT ON-OFF-(ON)
R-48	SPST ON-(OFF)



Model No.	Type
R-51	DPST ON-OFF
R-52	DPDT ON-OFF-ON
R-53	ON-OFF ILLUMINATED
R-54	DPDT ON-ON
R-55	DPST (ON)-OFF
R-56	DPDT (ON)-OFF-(ON)

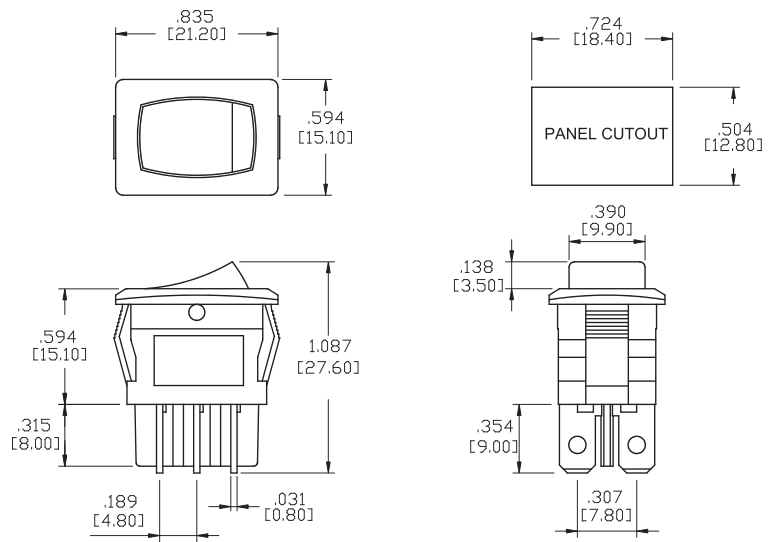
SPECIFICATIONS:

CONTACT RATING: 10A 125V AC 6A 250VAC.
 ELECTRICAL LIFE: 20,000 cycles.
 MECHANICAL LIFE: 50,000 cycles.
 CONTACT RESISTANCE: 50m-ohms.
 INSULATION RESISTANCE: DC 500V 100M-ohms min.
 DIELECTRIC STRENGTHS: AC 1500V 1 min.

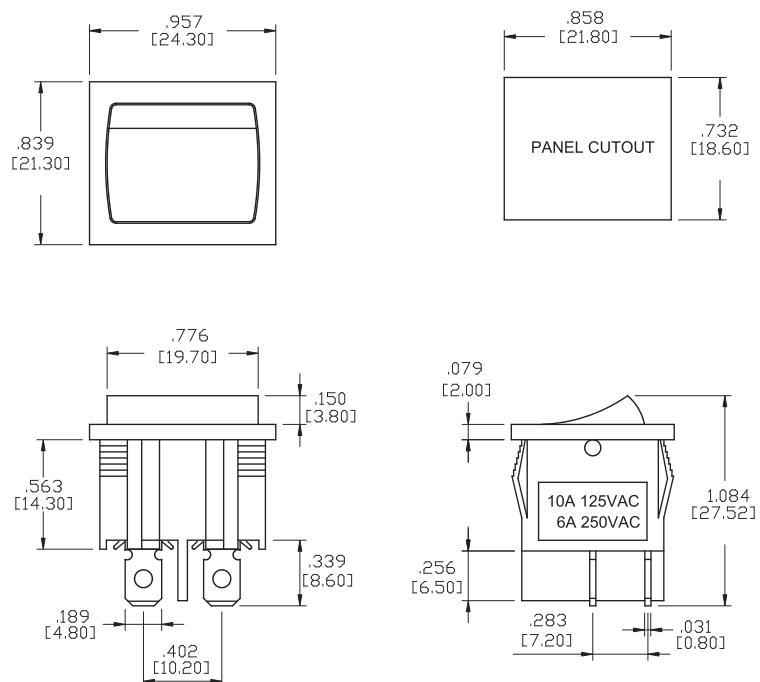
MATERIALS:

HOUSING: 66 Nylon(UL 94V-2).
 ACTUATOR: 66 Nylon(UL 94V-2).
 MOVABLE CONTACTS: Copper, silver plated.
 STATIONARY CONTACTS: Copper, silver plated.
 TERMINALS: Copper, silver plated.
 CONTACT SPRING: Piano wire.

Specifications and Dimensions subject to change



Model No.	Type
R-66P A	DPST ON-OFF
R-66P B	DPDT ON-ON
R-66P C	DPDT ON-OFF-ON
R-66P D	DPDT (ON)-OFF-ON
R-66P E	DPDT (ON)-OFF-(ON)



Model No.	Type
R-33A	DPST ON-OFF
R-33B	DPST ON-OFF ILLUMINATED
R-33C	DPDT ON-ON
R-33D	DPDT ON-OFF-ON
R-33E	DPDT (ON)-OFF-(ON)

SPECIFICATIONS:

RATING: 10A 125VAC, 6A 250VAC.
 CONTACT RESISTANCE: DC2V-4V/0.1A less than 20m-ohms.
 INSULATION RESISTANCE: DC 500V more than 500M-ohms.
 LIFE ELECTRICAL (AC): a. RESISTANCE 10,000 cycles.
 b. INDUCTIVE 6,000 cycles.
 DIELECTRIC STRENGTH: 1000VAC min(Between Terminals)
 3000VAC miniutes (between terminal and contact).

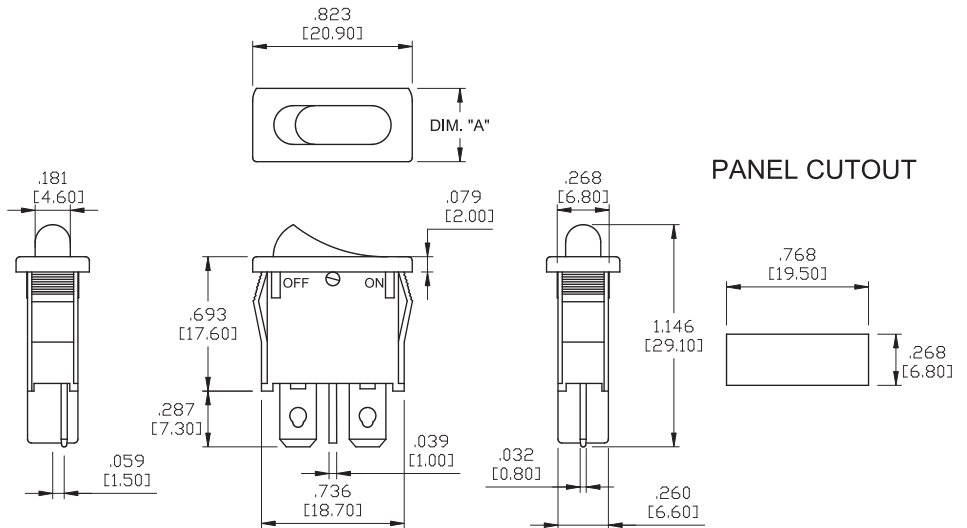
MATERIALS:

ROCKER: Nylon 6/6, black std.
 HOUSING: Nylon 6/6, black std.
 MOVABLE ARM: Phosphor bronze.
 CONTACT: Silver alloy.
 TERMINALS: Brass, silver plated.

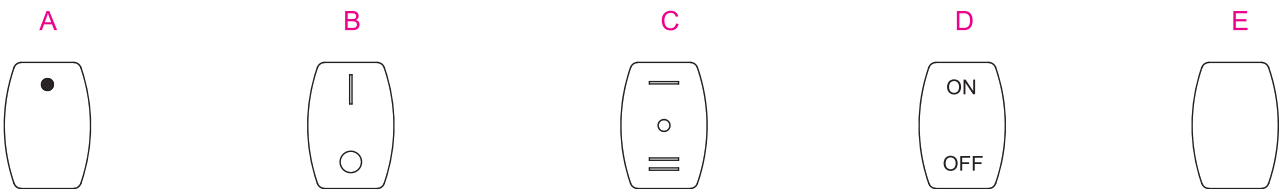
Specifications and Dimensions subject to change



Model No.	Type	DIM. "A"
R-401A	SPDT ON-OFF	.378 [9.60]



MARK OPTIONS

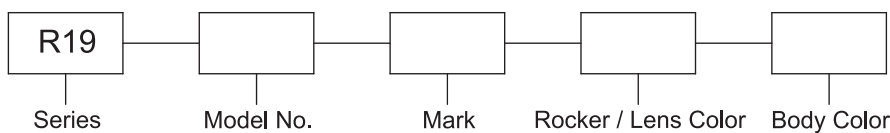


COLOR OPTIONS

Rocker / Lens Color			
1	White/Milky	6	Red
2	Black	7	-
3	Gray	8	Green
4	-	9	-
5	Yellow		

Body Color	
A	White
B	Black
C	Gray
D	-

HOW TO ORDER



Toggle

Rocker

Slide

Pushbutton

AV

Rotary

Tact

Touch Key

Miscellaneous

SPECIFICATIONS:

CONTACT RATING: 10A 125V AC 6A 250VAC.
 ELECTRICAL LIFE: 20,000 cycles.
 MECHANICAL LIFE: 50,000 cycles.
 CONTACT RESISTANCE: 50m-ohms.
 INSULATION RESISTANCE: DC 500V 100M-ohms min.
 DIELECTRIC STRENGTHS: AC 1500V 1 min.

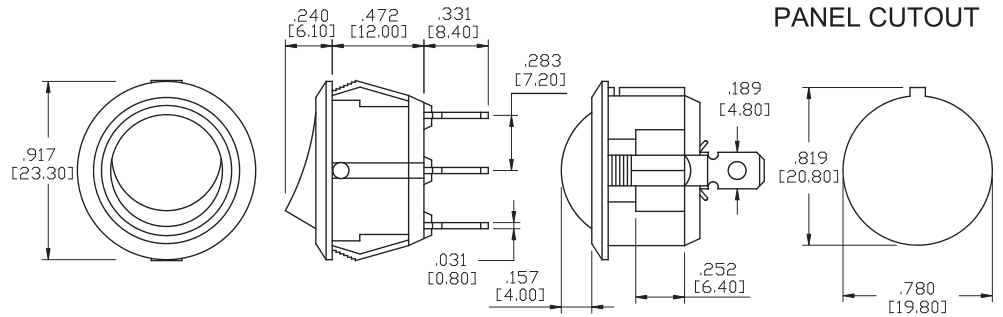
MATERIALS:

HOUSING: 66 Nylon(UL 94V-2).
 ACTUATOR: 66 Nylon(UL 94V-2).
 MOVABLE CONTACTS: Copper, silver plated.
 STATIONARY CONTACTS: Copper, silver plated.
 TERMINALS: Copper, silver plated.
 CONTACT SPRING: Piano wire.

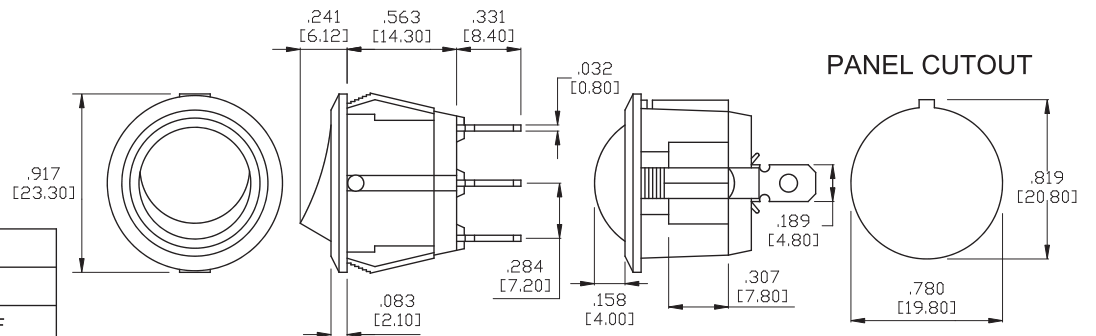
Specifications and Dimensions subject to change



Model No.	Type
R-208A	SPST ON-OFF
R-208B	SPST ON-OFF ILLUMINATED
R-208C	SPDT ON-ON
R-208E	SPST ON-(OFF)



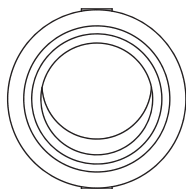
Model No.	Type
R-112	SPDT ON-ON
R-112A	SPST ON-OFF
R-112B	SPST ON-OFF (ILLUMINATED)
R-112C	SPDT ON-OFF-ON
R-112L	SPST ON-OFF (ILLUMINATED)



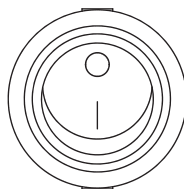
* With T3 Actuator

ACTUATOR OPTIONS

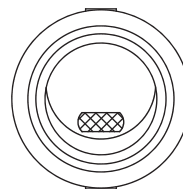
T1



T2

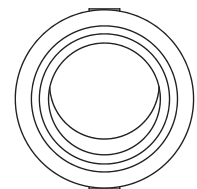


T3



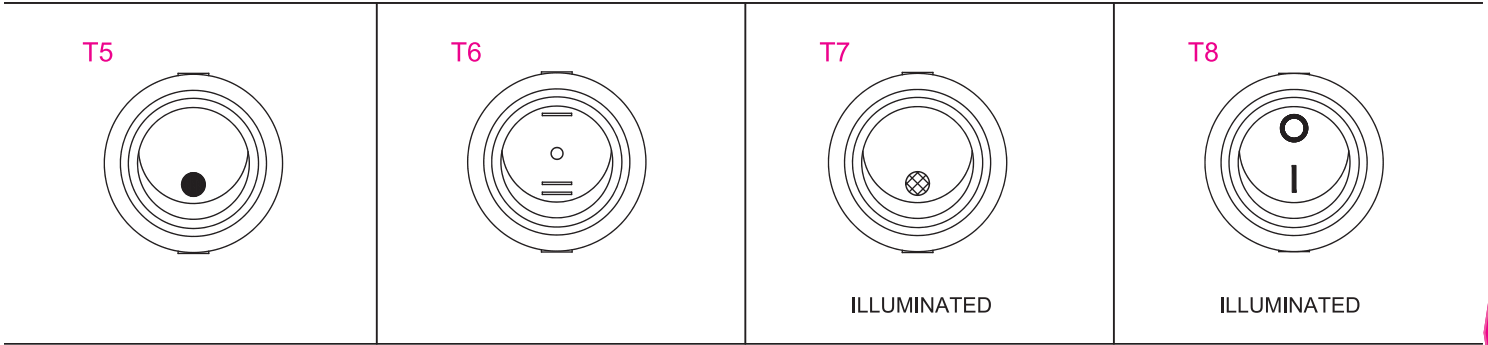
ILLUMINATED

T4



ILLUMINATED

ACTUATOR OPTIONS

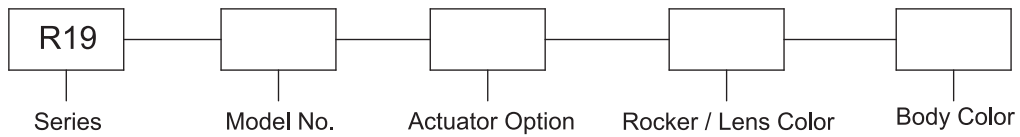


COLOR OPTIONS

Rocker / Lens Color			
1	White/Milky	6	Red
2	Black	7	Orange/Amber
3	Charcoal Gray	8	Green
4	Light Gray	9	Blue
5	-		

Body Color	
A	White
B	Black
C	Charcoal Gray
D	Light Gray

HOW TO ORDER

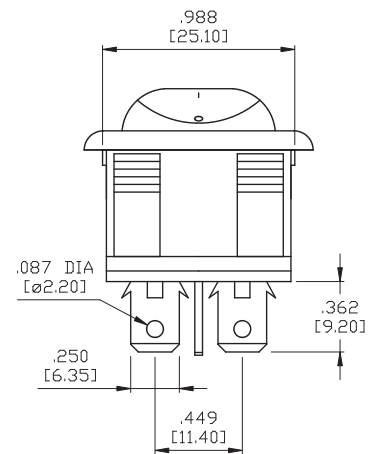
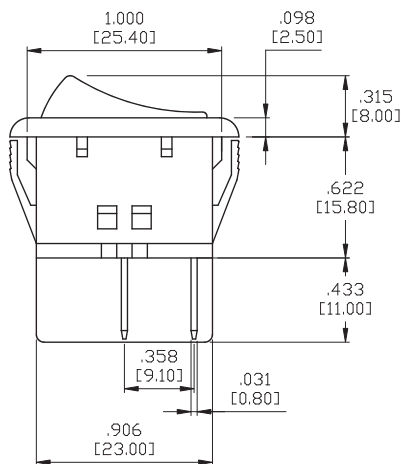
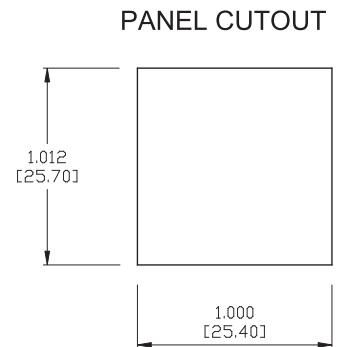
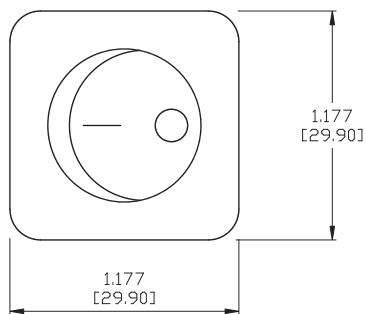


Toggle
Rocker
Slide
Pushbutton
AV
Rotary
Tact
Touch Key
Miscellaneous

SPECIFICATIONS:

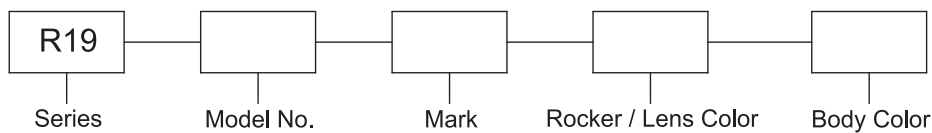
CONTACT RATING: 10A 250V AC 15A 125VAC.
 ELECTRICAL LIFE: 10,000 cycles.
 MECHANICAL LIFE: 10,000 cycles.
 CONTACT RESISTANCE: 50m-ohms max.
 INSULATION RESISTANCE: DC 500V 500M-ohms min.
 DIELECTRIC STRENGTHS: AC 2,000V 1 min.
 OPERATING FORCE: 700±200gf.

Specifications and Dimensions subject to change



Model No.	Type
R-22A	DPST ON-OFF
R-22B	DPST ON-OFF (ILLUMINATED)
R-22C	DPDT ON-ON
R-22D	DPDT ON-ON (ILLUMINATED)

HOW TO ORDER



For Mark, Rocker / Lens Color, please refer to page 85 & 87.