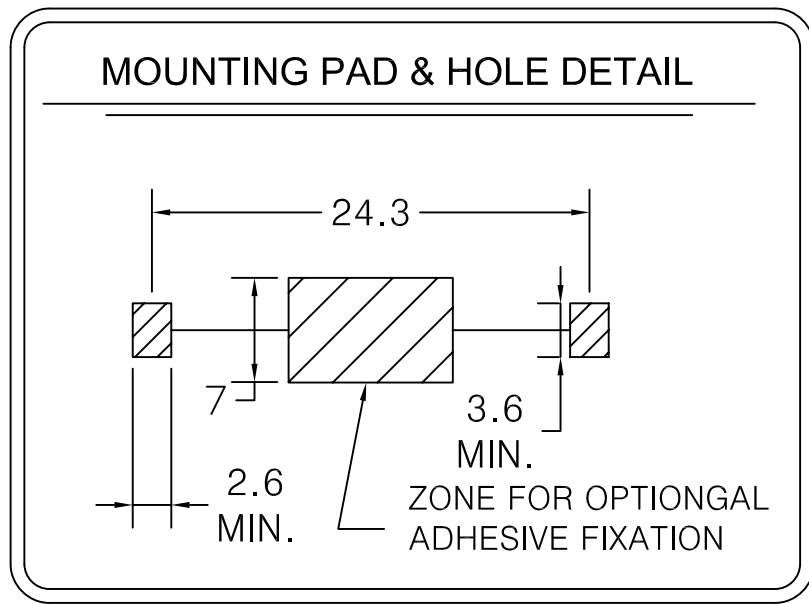
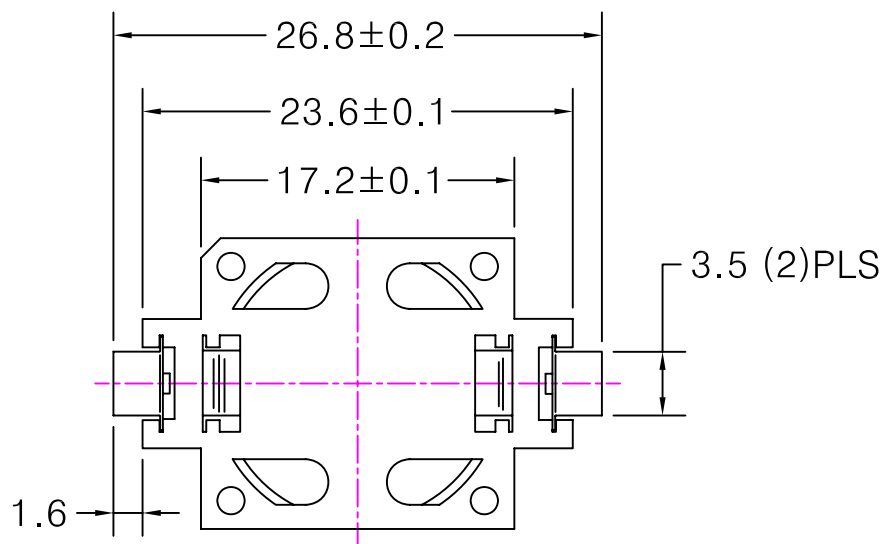


SECTION A-A



NOTES:

- 1、BASE:  
MAT'L:GLASS FILED LCP UL 94V-0
- 2、CONTACTS:  
MAT'L: 0.15mm TH'K PHOSPHOR BRONZE  
FINISH: GOLD FLASH,OVER NICKEL PLATE

**KLS ELECTRONIC CO., LTD.**

一般公差(TOLERANCES)		品名(TITLE)		制图(DR)	
DECIMALS:X	:±0.3	<b>BATTERY HOLDER</b>		2014/05/12 Joson_he	
X.X	:±0.2			L-KLS5-CR1632-01 SMT	
X.XX	:±0.1	比例(SCALE)		单位(UNITS)	张数(SHEET)
X.XXX	:±0.05	1:1		mm	1 OF 1
ANGLES: X	:±1°	核准(APPD)		SIZE	REV
X.X	:±0.5°	Jack_mei		A4	B