

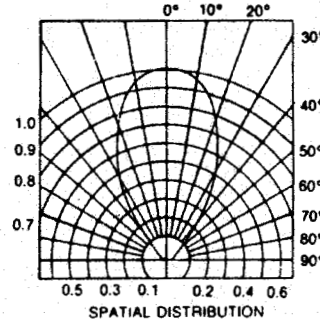
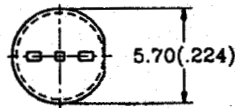
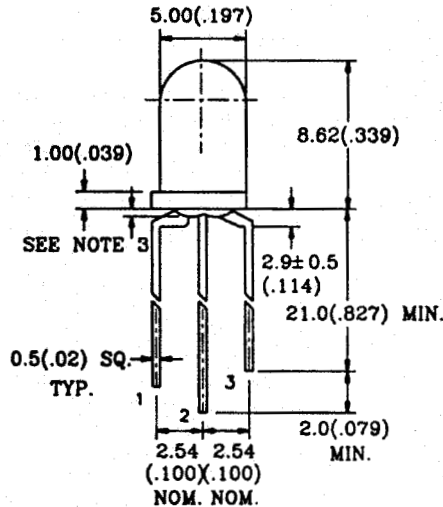
# L-519XXW&L-519XXC series..

## 5.0mm Dia LED LAMP- MULTI COLOR

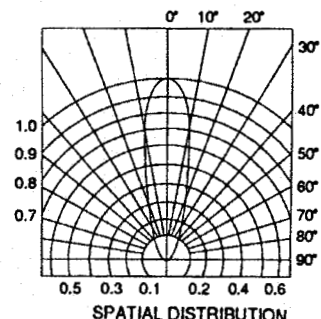
### MAIN FEATURES :

- ⊙ 5.0mm DIA LED LAMP
- ⊙ LOW POWER CONSUMPTION
- ⊙ LONG LIFE-SOLIDSTATE RELIABILITY
- ⊙ I. C. COMPATIBLE
- ⊙ TWO CHIPS ARE MATCHED FOR UNIFORM LIGHT OUTPUT

### ◆ PACKAGE DIMENSIONS



L-519XXW



L-519XXC

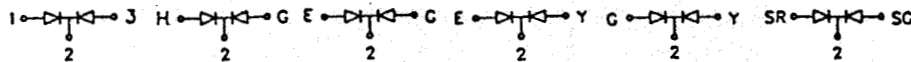


Fig.1

Fig.2

Fig.3

Fig.4

Fig.5

### ◆ SELECTION GUIDE AND APPLICATION INFORMATION ( RATINGS AT 25°C AMBIENT )

Part No.	Chip			Wave					Electro-Optical Characteristics					View		
	Raw Material	Emitted Color	Lens Color	Length λ (nm)	Δλ (nm)	Pd (mW)	If (mA)	If (Peak)	Vf (V) Min.	Vf (V) Typ.	Vf (V) Max.	If (Rec)	Iv (mcd) Min.	Iv (mcd) Typ.	Angle (deg)	FIG.
L-519HGW	GaP	Red	White	700	90	45	15	50	1.7	2.1	2.8	5~10	3.0	8.0	60	1
	GaP	Green	Diffused	565	30	100	30	160	1.7	2.1	2.8	10~20	3.0	12.0		
L-519EGW	GaAsP/GaP	Hi. eff. Red	White	635	45	100	30	160	1.7	2.0	2.8	10~20	8.0	20.0	60	2
	GaP	Green	Diffused	565	30	100	30	160	1.7	2.1	2.8	10~20	5.0	15.0		
L-519EYW	GaAsP/GaP	Hi. eff. Red	White	635	45	100	30	160	1.7	2.0	2.8	10~20	8.0	20.0	60	3
	GaAsP/GaP	Yellow	Diffused	585	30	100	30	160	1.7	2.1	2.8	10~20	5.0	15.0		
L-519GYW	GaP	Green	White	565	30	100	30	160	1.7	2.1	2.8	10~20	5.0	15.0	60	4
	GaAsP/GaP	Yellow	Diffused	585	30	100	30	160	1.7	2.1	2.8	10~20	5.0	15.0		
L-519SRSGW	GaAlAs	Super Red	White	660	20	60	20	160	1.6	1.8	2.1	10~20	50.0	150	60	5
	GaP	Green	Diffused	565	30	100	30	160	1.7	2.1	2.8	10~20	20.0	50.0		
L-519EGC	GaAsP/GaP	Hi. eff. Red	Water	635	45	100	30	160	1.7	2.0	2.8	10~20	20.0	50.0	30	2
	GaP	Green	Clear	565	30	100	30	160	1.7	2.1	2.8	10~20	15.0	30.0		
L-519EYC	GaAsP/GaP	Hi. eff. Red	Water	635	45	100	30	160	1.7	2.0	2.8	10~20	20.0	50.0	30	3
	GaAsP/GaP	Yellow	Clear	585	30	100	30	160	1.7	2.1	2.8	10~20	15.0	30.0		
L-519GYC	GaP	Green	Water	565	30	100	30	160	1.7	2.1	2.8	10~20	15.0	30.0	30	4
	GaAsP/GaP	Yellow	Clear	585	30	100	30	160	1.7	2.1	2.8	10~20	15.0	30.0		
L-519SRSGC	GaAlAs	Super Red	Water	660	20	60	20	160	1.6	1.8	2.1	10~20	300	500	30	5
	GaP	Green	Clear	565	30	100	30	160	1.7	2.1	2.8	10~20	50.0	150		

### ◆ ABSOLUTE MAXIMUM RATING: (Ta=25°C)

Reverse Voltage	: 5 Volt
Reverse Current ( Vr = 5V )	: 10 μA
Operating Temperature Range	: -40°C to +85°C
Storage Temperature Range	: -40°C to +100°C
Lead Soldering Temperature	: 260°C for 5 Seconds
(1.6mm(1/16inch) from body)	

### ◆ ELECTRO-OPTICAL CHARACTERISTICS: (Ta=25°C)

Parameter Description	Symbol	Unit
Spectral Line half-Width	Δλ	nm
Power Dissipation	Pd	mW
Peak Forward Current (Duty 1/10,@KHz)	If(Peak)	mA
Recommended Operation Current	If(Rec)	mA
Average Luminous intensity (If = 10mA)	Iv	mcd