



ÖZDİSAN ELECTRONIC A.Ş.

**FPC Adapter Up to 60 PIN**

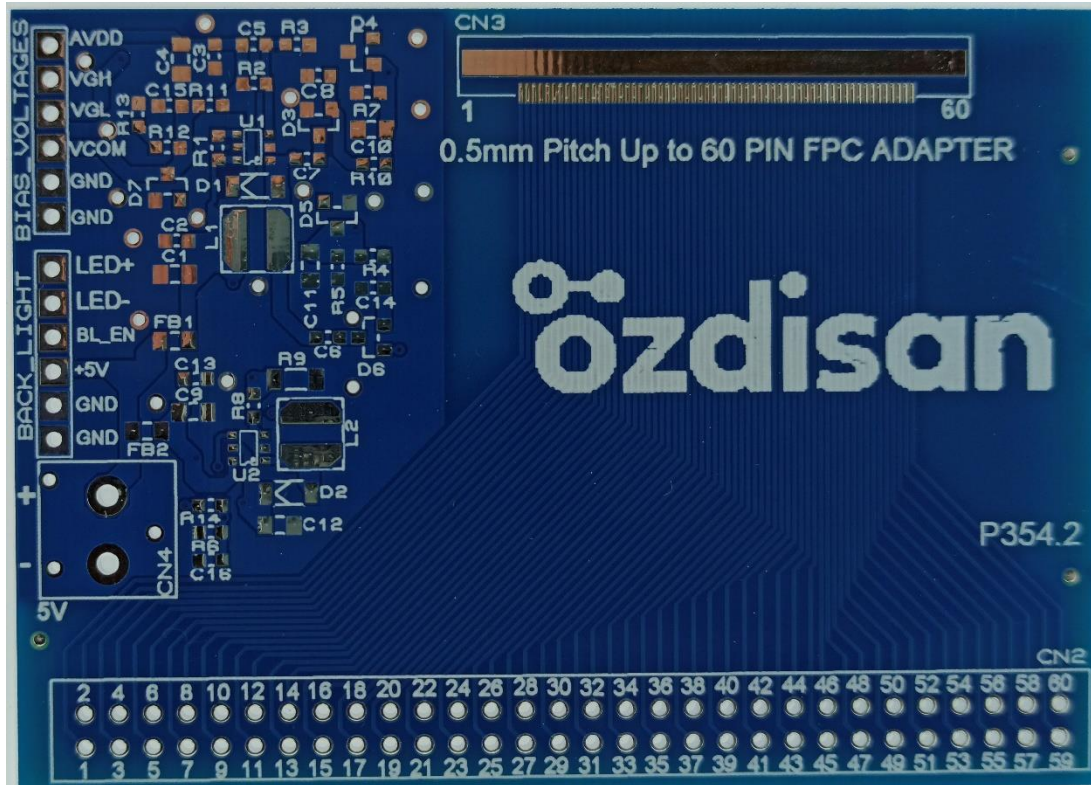
**0.5 mm Pitch**

**&**

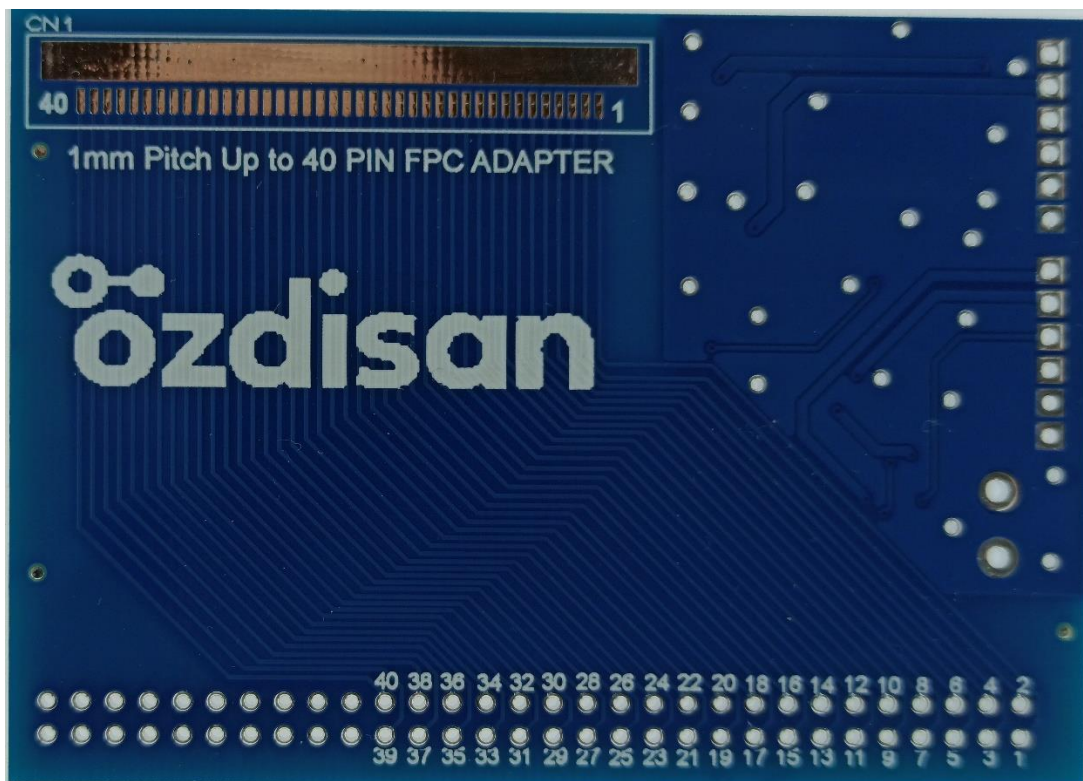
**FPC Adapter Up to 40 PIN**

**1 mm Pitch**

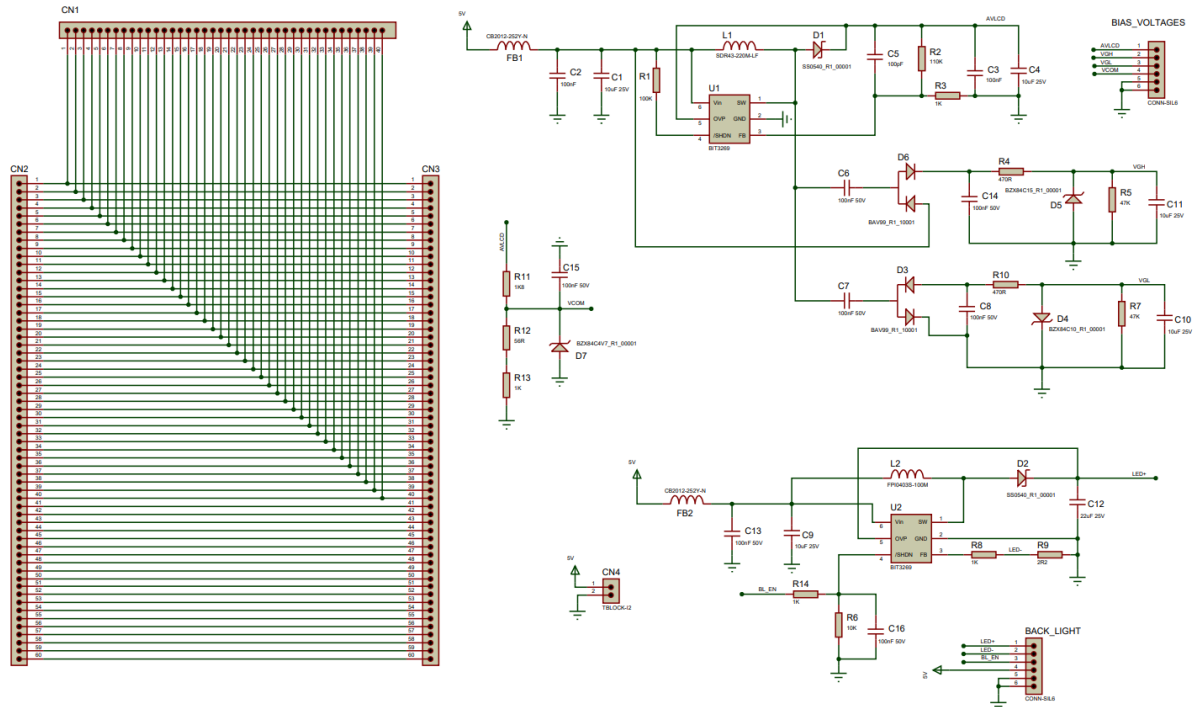
**FRONT VIEW OF THE PCB**



**BACK VIEW OF THE PCB**



## SCHEMATIC



## ELECTRICAL CHARACTERISTICS

AVDD = +10.2V

VGH = +14.5V

VGL = - 9.1V

VCOM = 3.6V

Backlight current =  $0.09V/R9$ ;

R9 2.2R -> current 40mA

R9 0.68R -> current 130mA



## BOM LIST

Reference	Order Code	Package	Pcs	Manufacturer	Definition
CN1					
CN2					
CN3					
R1	0603SAJ0104T5E	0603	1	ROYALOHM	100k
R2	0603SAJ0114T5E	0603	1	ROYALOHM	110k
R3-R8-R13-R14	0603SAJ0102T5E	0603	4	ROYALOHM	1k
R4-R10	0603SAJ0471T5E	0603	2	ROYALOHM	470R
R5-R7	0603SAF4702T5E	0603	2	ROYALOHM	47k
R6	0603SAJ0103TDE	0603	1	ROYALOHM	10k
R9	1206S4J022JT5E	1206	1	ROYALOHM	2R2
R11	0603SAF1801T5E	0603	1	ROYALOHM	1k8
R12	0603SAJ0560T5E	0603	1	ROYALOHM	56R
C1-C4-C9-C10-C11	CL21A106KAYNNNE	805	5	SAMSUNG	10uF 25V
C2-C3	CL10B104KA8NNNC	0603	2	SAMSUNG	100nF 25V
C5	CL10C101JB8NNND	0603	1	SAMSUNG	100pF 50V
C6-C7-C8-C13-C14-C15-C16	CL10B104KB8NNNC	0603	7	SAMSUNG	100nF 50V
C12	CL21A226MAQNNNE	0805	1	SAMSUNG	22uF 25V
D1-D2	SS0540_R1_00001	SOD123	2	PANJIT	
D3-D6	BAV99LT1G	SOT23	2	ONS	
D4	BZX84C10_R1_00001	SOT23	1	PANJIT	
D5	BZX84C15_R1_00001	SOT23	1	PANJIT	
D7	BZX84C4V7_R1_00001	SOT23	1	PANJIT	
CN4					
L1	SDR43-220M-LF	NONSTANDARD	1	COILMASTER	22uH
L2	FPI0403S-100M	NONSTANDARD	1	CORE MASTER	10uH
FB1-FB2	CB2012-252Y-N	0805	2	CORE MASTER	
U1-U2	BIT3269	SOT23-6	2	BITEK	
BIAS_VOLTAGES	DS1023-1X6S21		1	CONNFLY	
BACK_LIGHT	DS1023-1X6S21		1	CONNFLY	