

Technical Document

FA 1751C 23 B 28 B7 C

PN : 220842



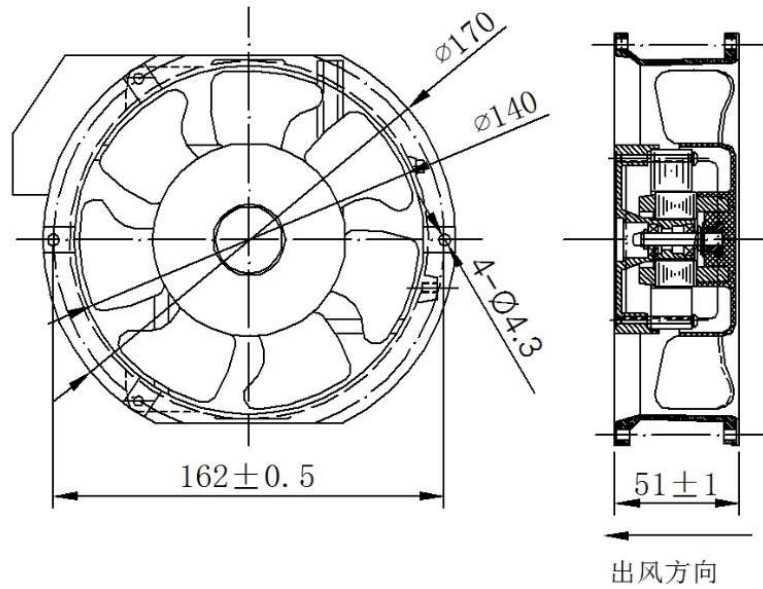
2020, Brussels

Features

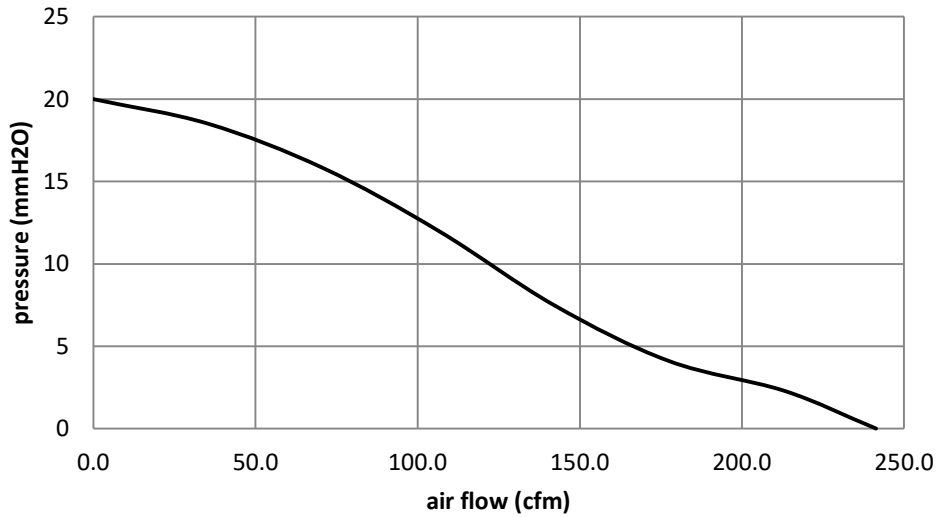
Parameter	Units	Specifications
Dimensions	mm	172x150x51
Weight	gram	865
Power Supply	VAC	220
Operating Voltage	VAC	200~240
Frequency	Hz	50
Current (max.)	A	0.14 ± 5%
Power Input (max.)	W	38
Speed	RPM	2750 ± 5%
Air Flow	cfm	241.4
Static Pressure	mmH ₂ O	20.0
Sound Level	dBA	60
Operating Temp.	°C	-20~+70
Storage Temp.	°C	-40~+70
Operating Humidity	%RH	0~95
Storage Humidity	%RH	0~80
Life	hours	40000 @40°C, <65%RH
Capacitance	µF /500V	1.0
Insulation Resistance	-	> 100MOhm at 500 VDC between housing and both lead wires
Dielectric Strength	-	5 mA and 1875 VAC for 1 min. between housing and both lead wires
Bearing	-	Ball bearing
Housing Material	-	Die cast aluminum
Impeller Material	-	UL 94-0 rating thermoplastic
Electrical Connection	-	Terminals (C)
Motor Protection	-	Impedance protected
Certifications	-	CE

*: above specifications are subject to change without prior notice

Dimensions



Performance



Ordering Code:

Model	Part Number	Description
FA 1751C 23 B 28 B7 C	220842	AC172x150x51 fan, ball bearing, 2750 rpm, 7 blade, terminal type.