

Technical Document

FA 1751 23 B 28 RB L

PN : 220843



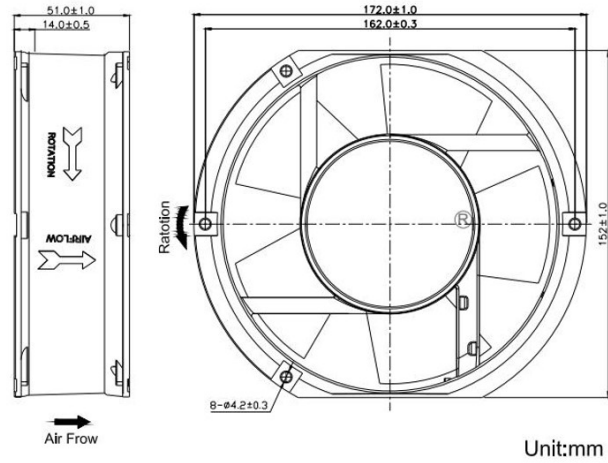
2020, Brussels

Features

Parameter	Units	Specifications
Dimensions	mm	172x150x51
Weight	gram	850
Power Supply	VAC	220
Operating Voltage	VAC	200~240
Frequency	Hz	50
Current (max.)	A	0.15 ± 7%
Power Input (max.)	W	35 ± 7%
Speed	RPM	2780 ± 5%
Air Flow	cfm	190
Static Pressure	mmH ₂ O	17.2
Sound Level	dBA	56
Operating Temp.	°C	-20 ~+75
Storage Temp.	°C	-30 ~+140
Humidity	%RH	20 ~ 85
Storage Humidity	%RH	20 ~ 95
Life	hours	50000 @25°C
Insulation Resistance	-	10 MOhm between unshackled wire and housing at 500 VDC/min.
Dielectric Strength	-	5 mA max. between lead wires and housing at 500 VDC for 1 min.
Bearing	-	Ball bearing
Housing Material	-	Aluminum ADC-12, painted black
Impeller Material	-	PBT+15% GF
Electrical Connection	-	Lead wire
Motor Protection	-	Impedance protected
Certifications	-	CE

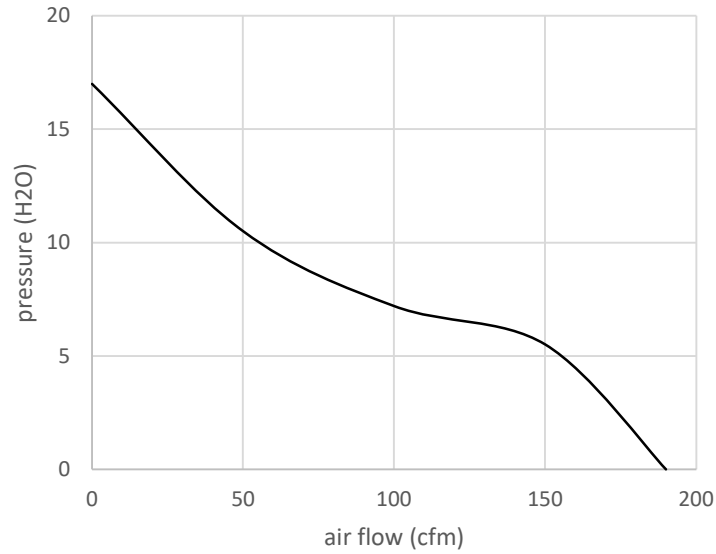
*: above specifications are subject to change without prior notice

Dimensions



*the drawing is for terminal connector type.

Performance



Ordering Code:

Model	Part Number	Description
FA 1751 23 B 28RB L	220843	AC172x150x51 fan, ball bearing, 2780 rpm, curved blade, lead wire.