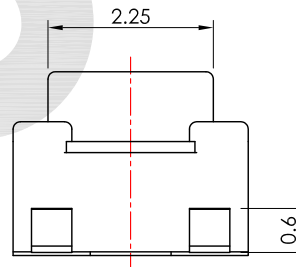
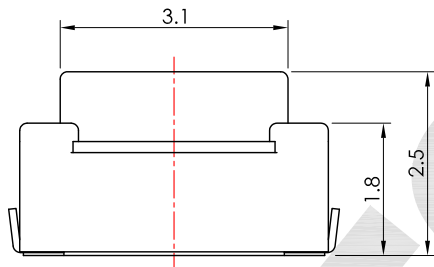
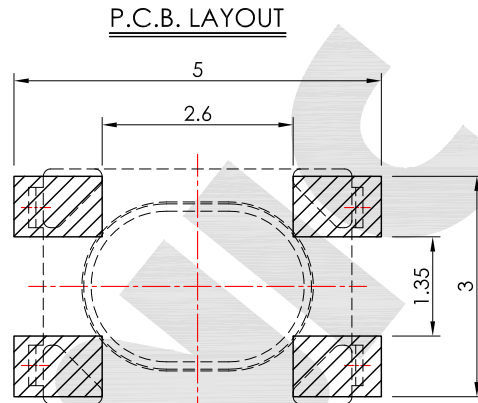
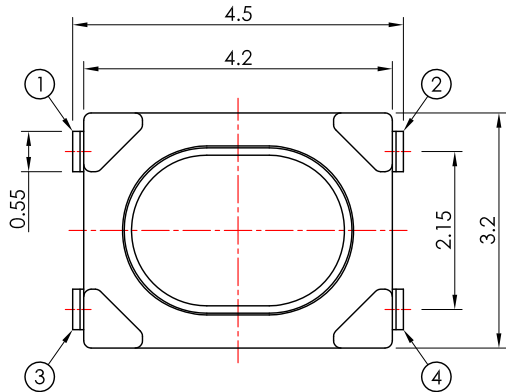
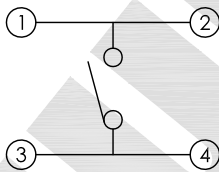


\*開關產品未經SWITRONIC同意，請勿拆解，否則無法負品質及安全責任。  
 Please do not decompose the switch without any permission from SWITRONIC,  
 otherwise the quality and safety responsibility could not be guaranteed.  
 \*本圖面若與目錄之規格尺寸不符，以本圖面規格尺寸為主。  
 Below is our main specification if different from catalog.

RoHS compliant



**SCHEMATIC**



RoHS compliant

IT-1145-~~XXX~~G-G

OPERATING FORCE

160, 250

**SPECIFICATION**

**Rating:** 50mA 12V DC.  
**Function:** OFF-(ON).  
**Travel:** 0.15±0.1mm.  
**Contact resistance:** 100mΩ Max.(initial)  
**Insulation resistance:** 100MΩ Min. at 100V DC.  
**Withstand voltage:** 100V AC for 1 minute.  
**Operating force:** 160±50g.  
**Minimum load:** 10mA 12V DC.  
**Life:** 100,000 Cycles.  
**Soldering temperature:** 250°C Max. for 3 seconds.  
**Soldering time:** 1 time only.  
**Packing for reel:** 3,000 pcs / reel.  
**Note1:** Unwashable, don't be immersed by epoxy and organic solvent.  
**Note2:** Please do not scale the drawing comparing to real product and kindly measure the size of real product.

**STORAGE METHOD**

After opening the bag of the switches, please include a desiccant into the bag, then seal it to avoid product oxidation.  
 打開包裝袋後，請在袋中加入乾燥劑並「密封」，避免產品氧化。



EV2.0	無	新繪製	2019.11.27
版本 VER.	符號 SYMBOL	修改內容 ALTERATION	更新日期 DATE

產品 PRODUCT		Tact Switch		型號 MODEL NO.		IT-1145-160G-G	
比例 SCALE	10 : 1	單位 UNIT	mm				
公差 TOLERANCE	.X=±0.3mm, .XX=±0.2mm						
製圖 DRAWN BY	核圖 CHECKED BY	主管 APPROVED BY					
Benson Huang	Chuck Young	Margaret Lee					
<p>一綺電子企業股份有限公司</p> <p>總公司：110 台北市信義路四段415號13樓之3                  13F-3, NO.415, SEC.4, HSIN YI ROAD, TAIPEI, TAIWAN                  TEL : 886-2-27290229(Rep.) FAX : 886-2-27582086                  URL : www.switronic.com E-MAIL : switches@ms36.hinet.net</p>							