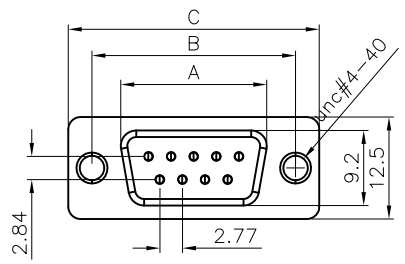


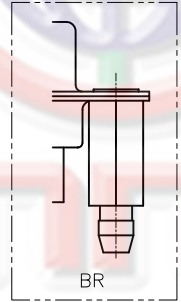
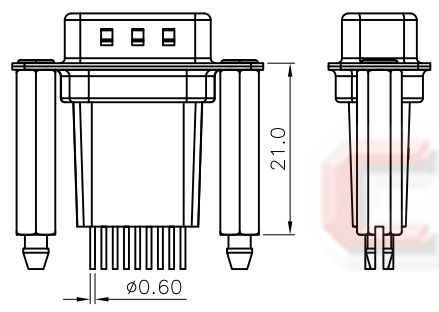
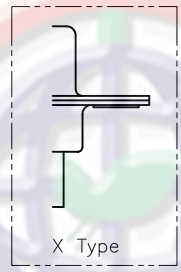
The information provided herein is from CONNELY Electronic Co., Ltd. and is confidential. Any disclosure to a party other than the recipient is prohibited. The intellectual properties and its rights contained herein, including but not limited to, trademarks, patents, copyrights, trade secrets, and technical know-how, are owned exclusively by CONNELY or its affiliates. Unauthorized use of this information in any format or manner. CONNELY may enforce its intellectual property rights at its own discretion; failures or delays to exercise such rights does not constitute a waiver of such rights.

1 2 3 4 5 6 7 8

REV.	DESCRIPTION	DRAWN	CHECKED	APPROVED
A	NEW RELEASE	JLZ 08/15/18'		



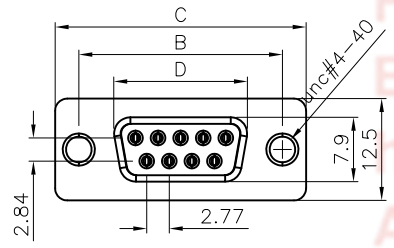
MALE



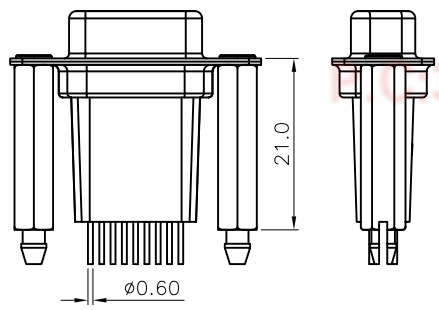
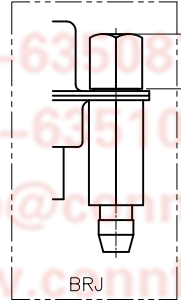
NOTES:

- ELECTRICAL CHARACTERISTICS:
  - CONTACT RESISTANCE: 20mΩ Max. INITIAL.
  - DIELECTRIC WITHSTANDING VOLTAGE: 500V AC(rms) FOR 1 MINUTE.
  - INSULATION RESISTANCE: 1000MΩ Min.
- ENVIRONMENT CHARACTERISTICS:
  - OPERATING TEMPERATURE: -40°C~+105°C.
  - STORAGE TEMPERATURE: -20°C~+70°C.
- RESISTANCE TO SOLDERING HEAT: 250±5°C 5±0.5s.
- PRODUCT NUMBER CODE: DS1034-25 - X X X X X X X

- SCREW DIM. A
- X: W/O Screw
- 4: 4.80
- 5: 5.80
- SCREW TYPE
- X: W/O Fork
- 3: BR TYPE
- 4: BRJ TYPE
- CONTACT PLATING
- Si: FULL GOLD FLASH
- 0: SELECTIVE GOLD FLASH
- SHELL PLATING
- T: FORNT & BACK SHELL TIN
- N: FORNT SHELL NICKEL, BACK SHELL TIN
- HOUSING COLOR
- B: BLACK W: WHITE
- U: BLUE
- CONNECTOR TYPE
- F: FEMALE M: MALE
- No.OF CONTACTS
- 09: 9pos. 15: 15pos.
- 25: 25pos. 37: 37pos.



FEMALE



Tel:86-574-63518717  
 Fax:86-574-63510817  
 E-mail:sale@connely.com  
 http://www.connely.com  
 Add:East Industry Zone KuangYan  
 Town, China  
 315333

Dimension	Position	A±0.2	B±0.2	C±0.3	D
	9	17.90	24.99	30.80	16.33
	15	26.50	33.32	39.14	24.66
	25	40.00	47.04	53.04	38.38
	37	56.50	63.50	69.32	54.84

GENERAL TOLERANCE		ANGLE TOLERANCE		PROJECTION		TITLE	D-SUB DIP Type H=21.0mm					
X.	±0.60	X.	±5°	UNITS	mm	SERIES	DS1034-25 SERIES					
.X	±0.38	.X	±3°	SHEET SIZE	A4							
.XX	±0.25	.XX	±2°									
DRAWING TYPE		CUSTOMER		晨翔电子有限公司 <b>CONNELY CONNELY ELECTRONIC CO. LTD</b>								
SCALE		1:1							SHEET		1 OF 1	
DRAWING NO.		C-DS1034-25-XXXXXX-A										

1 2 3 4 5 6 7 8