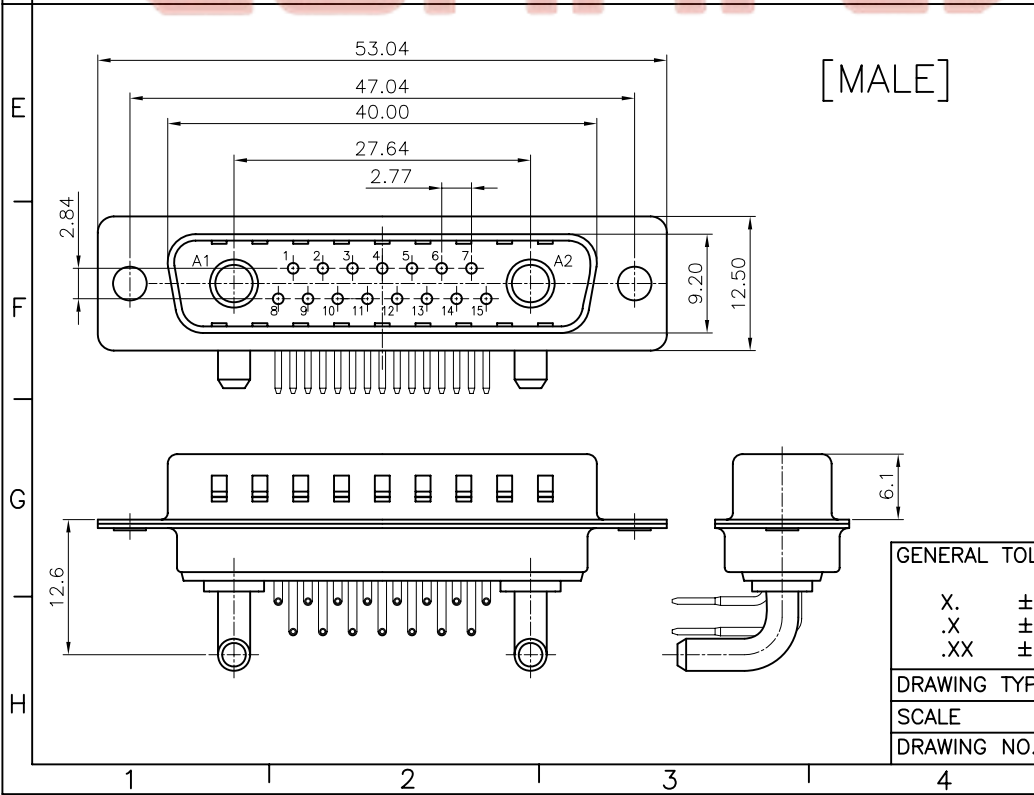


[FEMALE]



[MALE]

REV.	DESCRIPTION	DRAWN	CHECKED	APPROVED
A	NEW RELEASE	LJC 01/17/09'	~	

NOTES:

- ELECTRICAL CHARACTERISTICS:
  - CONTACT RESISTANCE: 20mΩ Max. INITIAL.
  - DIELECTRIC WITHSTANDING VOLTAGE: 500V AC(rms)FOR 1 MINUTE.
  - INSULATION RESISTANCE: 1000MΩ Min.
  - CURRENT RATING: 5A/40A(POWER PIN).
  - VOLTAGE RATING: 300V
- ENVIRONMENT CHARACTERISTICS:
  - TEMPERATURE RANGE: -40° C ~ +105° C.
- MECHANICAL CHARACTERISTICS:
  - DURABILITY: 500 CYCLES.
  - CONTACT RETENTION FORCE: 1Kgf MINIMUM.
- MATERIALS:
  - SHELL: SPCC.
  - CONTACT: COPPER ALLOY.
  - INSULATOR: THERMOPLASTIC UL 94V-0, GLASS FIBER FILLED.
- PART NUMBER CODE:

DS1034-05- X X X X

- CONTACT PLATING
- 8: FULL GOLD FLASH
- C: FULL 3u: GOLD
- SHELL PLATING
- N: FORNT SHELL NICKEL, BACK SHELL TIN
- HOUSING COLOR
- B: BLACK
- W: WHITE
- L: BLUE
- CONNECTOR TYPE
- M: MALE
- F: FEMALE

Tel:86-574-6350187  
 Fax:86-574-63510817  
 E-mail:sale@zhenqin.com.cn  
 Http://www.connfly.com

GENERAL TOLERANCE	ANGLE TOLERANCE	PROJECTION	TITLE	MACHINE PIN D-SUB 15+2
X. ±0.60	X. ±5°		mm	R/A TYPE
.X ±0.38	.X ±3°		A4	SHEET SIZE
.XX ±0.25	.XX ±2°			DS1034-05 SERIES
DRAWING TYPE	CUSTOMER	晨翔电子有限公司 <b>CONNFLY ELECTRONIC CO. LTD</b>		
SCALE	1:1 SHEET 1 OF 1			
DRAWING NO.	C-DS1034-05-XXXX-A			