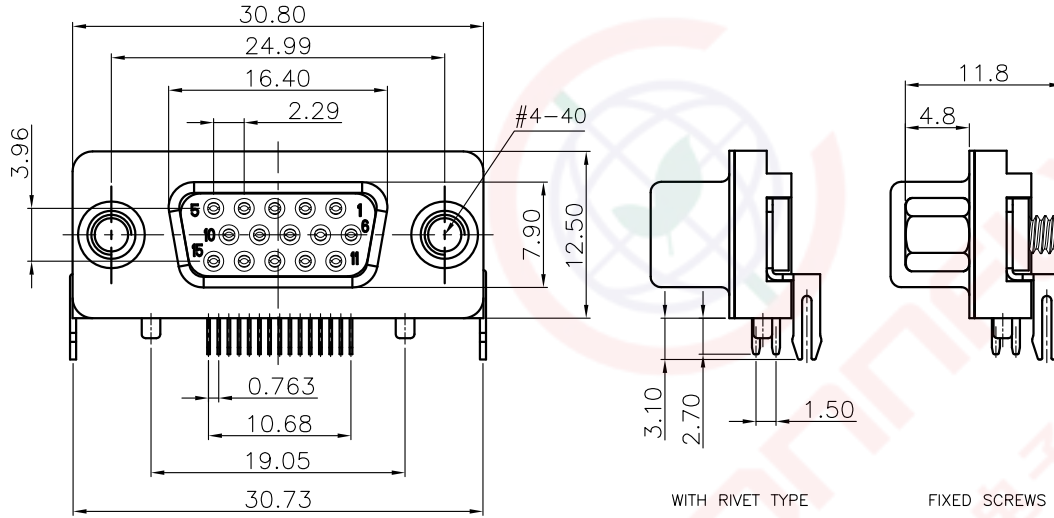


The information provided herein is from CONNELY Electronic Co., Ltd. and is confidential. Any disclosure to a party other than the recipient is prohibited. The intellectual properties and its rights contained herein, including but not limited to, trademarks, patents, copyrights, trade secrets, and technical know-how, are owned exclusively by CONNELY or its affiliates. Unauthorized use of this information in any format or manner. CONNELY may enforce its intellectual property rights at its own discretion; failures or delays to exercise such rights does not constitute a waiver of such rights.

1 2 3 4 5 6 7 8

REV.	DESCRIPTION	DRAWN	CHECKED	APPROVED
A	NEW RELEASE	YCH 12/15/09'		LJC 12/15/09'
B	DRAWING UPDATE	JLZ 07/25/18'		

A B C D E F G H

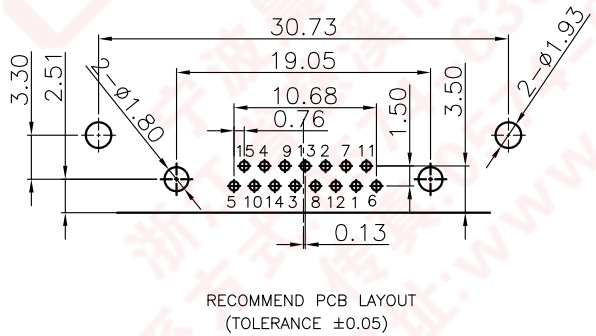
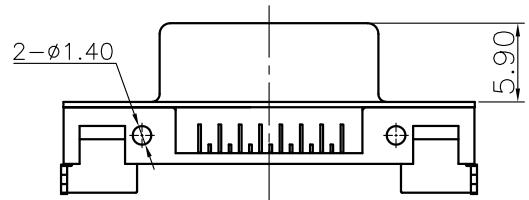


NOTES:

- PRODUCTS PERFORMANCE:
 - VOLTAGE RATING: 250V AC.
 - CONTACT CURRENT RATING: 1.5A MAX. PER PIN.
 - CONTACT RESISTANCE: 20mΩ MAX.
 - DIELECTRIC WITHSTANDING VOLTAGE: 500V AC(rms) FOR 1 MINUTE.
 - INSULATION RESISTANCE: 1000MΩ MIN.
 - TEMPERATURE RANGE: -40°C~+105°C.
- PRODUCT NUMBER CODE:

DS1038-*03 - X X X X X X X

- SCREW TYPE
- B: WITH RIVET TYPE
- C: RIVET TYPE WITH FIXED SCREWS
- D: RIVET TYPE WITH SCREWS IN BULK PACKAGE
- CONTACT PLATING
- Si: SELECTIVE GOLD FLASH
- 8: FULL GOLD FLASH
- SHELL PLATING
- N: Nickel
- T: Tin
- COLOR OF HOUSING
- B: BLACK
- W: WHITE
- L: BLUE
- CONNECTOR TYPE
- F: FEMALE
- No. OF CONTACTS
- 15: 15pos.



RECOMMEND PCB LAYOUT
(TOLERANCE ±0.05)

GENERAL TOLERANCE		ANGLE TOLERANCE	
X.	±0.60	X.	±5°
.X	±0.38	.X	±3°
.XX	±0.25	.XX	±2°

DRAWING TYPE	CUSTOMER		
SCALE	1:1	SHEET	1 OF 1
DRAWING NO.	C-DS1038-03-XXXXXX-B		

PROJECTION		TITLE	D-SUB H.D RIGHT ANGLE SLIM TYPE	
UNITS	mm			
SHEET SIZE	A4	SERIES	DS1038-03 SERIES	

晨翔电子有限公司
CONNFLY CONNELY ELECTRONIC CO. LTD

1 2 3 4 5 6 7 8