



PRODUCT SPECIFICATION

Model No.: FYL-5019EGW1B-CC

Descriptions:
<ul style="list-style-type: none"> ■ Dice material: GaP/GaP. ■ Emitting Color: Red/Yellow green. ■ Device Outline: Φ5mm round type. ■ Lens Type: White Diffused.



CUSTOMER APPROVED SIGNATURES	APPROVED BY	SALES BY	PREPARED BY
			

NINGBO FORYARD OPTOELECTRONICS CO.,LTD

Add:No. 666 Jinghua Road, Hi-tech Park, Ningbo, Zhejiang, China

Zip:315103

Tel: 0086-574-87933652 87927870 87922206

Fax: 0086-574-87927917

E-mail:Sales@foryard.com (General)

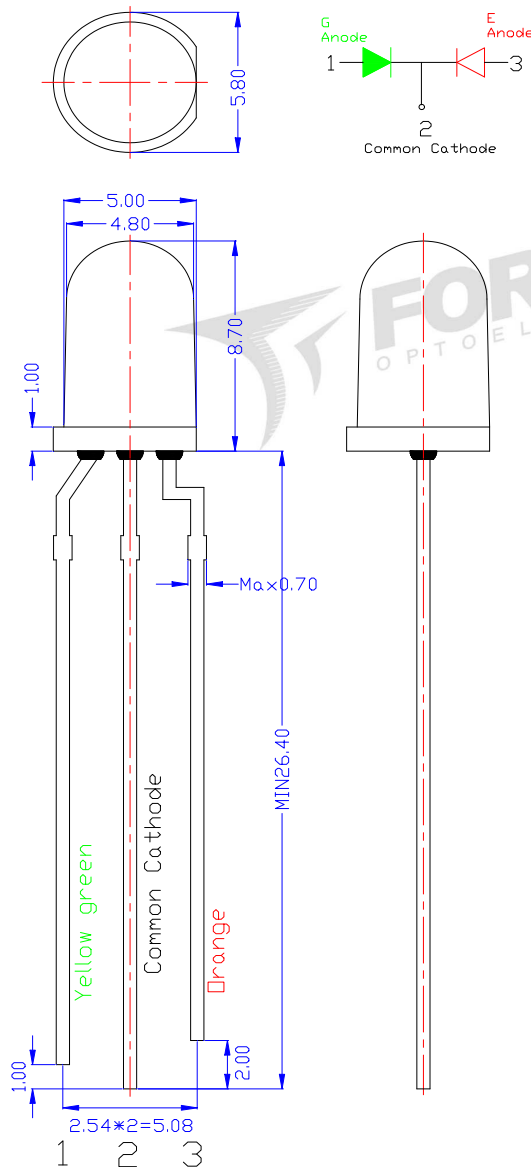
Http://www.foryard.com

Model No.: FYL-5019EGW1B-CC

■ ⑤ Features

- 1.Low power consumption.
- 2.High efficiency.
- 3.General purpose leads.
- 4.High intensity.
- 5.RoHs compliant.

■ Package configuration



Notes:

1. All dimensions are millimeters (inches)
2. Tolerance is $\pm 0.25\text{mm}(.010\text{'})$ unless otherwise noted.
3. The specifications, characteristics and technical data described in the datasheet are subject to change without prior notice.

Model No.: FYL-5019EGW1B-CC

■ Absolute Maximun Ratings(Ta=25° C)

Items	Symbol	Absolute maximum Rating		Unit
		E	G	
Forward Current(DC)	IF	30	30	mA
Peak Forward Current*	IFP	100	100	mA
Power Dissipation	PD	75	75	Mw
Operation Temperature	Topr	-40°C to +85°C		°C
Storage Temperature	Tstg	-40°C to +100°C		°C
Reverse Voltage	VR	5		V
Lead Soldering Temperature[4mm(.157") From Body]	Tsol	260°C for 5 Seconds		

■ Typical Electrical &Optical Charcteristics(Ta=25°C)

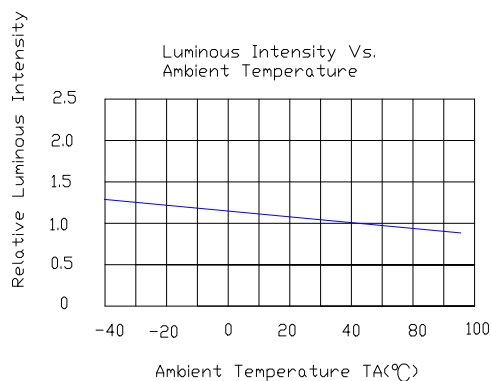
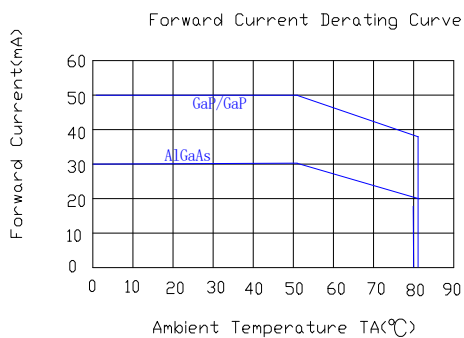
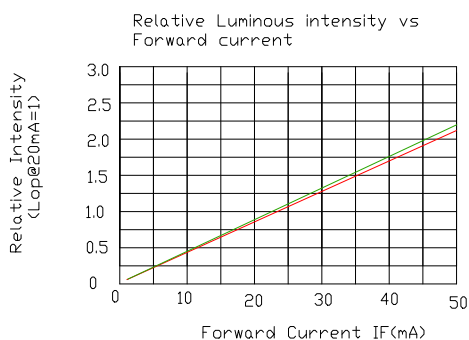
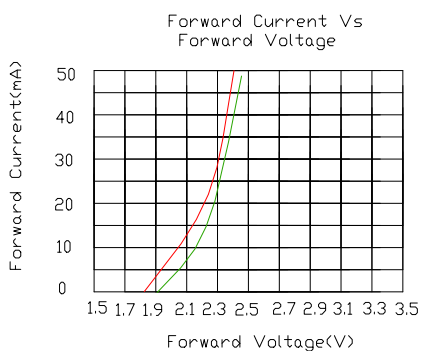
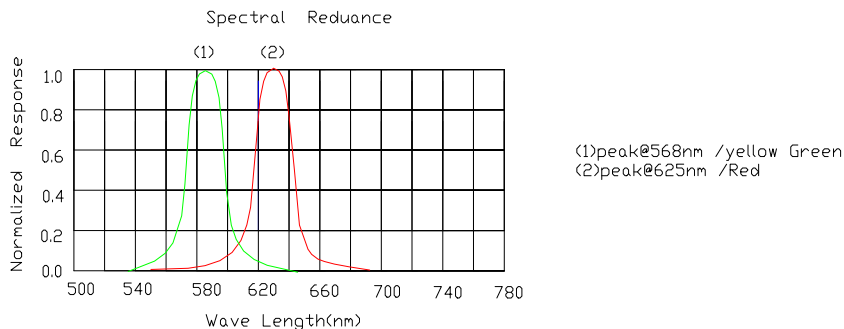
Items	Symbol	Condition	Min.	Typ	Max.	Unit	
Forward Voltage	VF	IF = 20mA	E	1.8	2.00	2.40	V
			G	1.8	2.30	2.60	
Peak Emission Wavelength	λp	IF = 20mA	E	---	630	---	nm
			G	---	568	---	
Dominant Wavelength	λD	IF = 20mA	E	615	620	---	nm
			G	565	570	---	
Luminous Intensity	IV	IF = 20mA	E	---	40	---	mcd
			G	---	80	---	
Viewing Angle	2θ½	IF = 20mA	---	50	---	Deg	

1.Luminous Intensity is based on the Foryard standards.

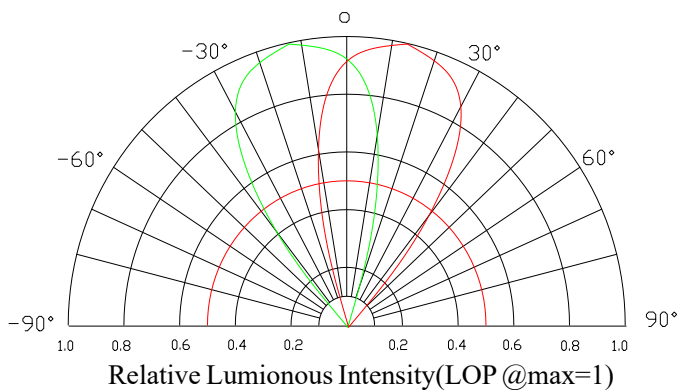
2.Pay attention about static for InGaN

Model No.: FYL-5019EGW1B-CC

Typical Electrical/Optical Characteristics Curves(Ta=25° C Unless Otherwise Noted)

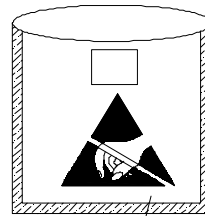


Radiation pattern.

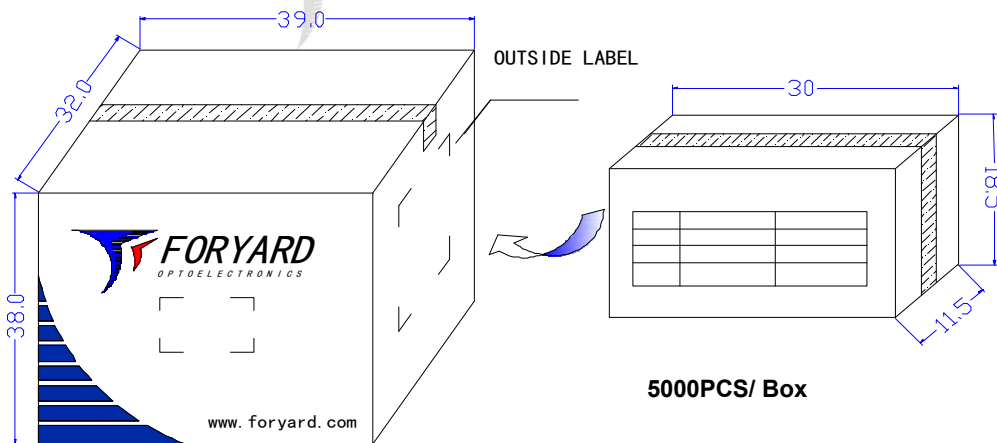
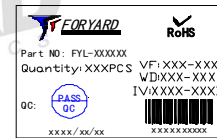


Model No.: FYL-5019EGW1B-CC

⑤ ■ LAMP PACKING.



5mm 500PCS/Polybag



30000PCS/ Carton



OUTSIDE LABEL

Note: The specifications are subject to change without notice. Please contact us for updated information.