

REV.	DESCRIPTION	DRAWN	DATE
2	New frame, removed page 2 dims. table, add " How to order" notes	Fros	2018/01/10
3	ECR2000008	Fros	2020/07/02

SPECIFICATION:

1. ELECTRICAL
 - 1.1 Current Rating: 0.5A
 - 1.2 Voltage Rating: 100V AC/DC
 - 1.3 Contact Resistance: 20mΩ
 - 1.4 Insulation Resistance: 50MΩ
 - 1.5 Dielectric Withstanding Voltage: 250VAC
2. MECHANICAL
 - 2.1 Durability: 20 Cycle
 - 2.2 FPC Retention Force: Per pin 0.5N min.
3. ENVIRONMENTAL
 - 3.1 Operating temperature range: -40°C~+85°C
 - 3.2 Storage temperature range: -40°C~+85°C
4. SOLDER ABILITY
 - 4.1 Recommended IR Reflow Temperature: 260°C

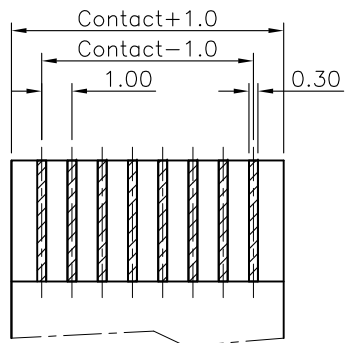
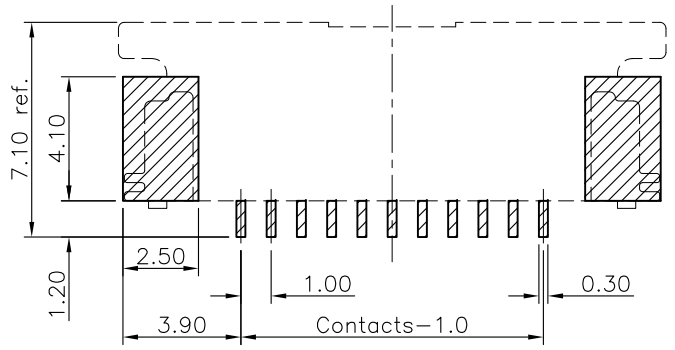
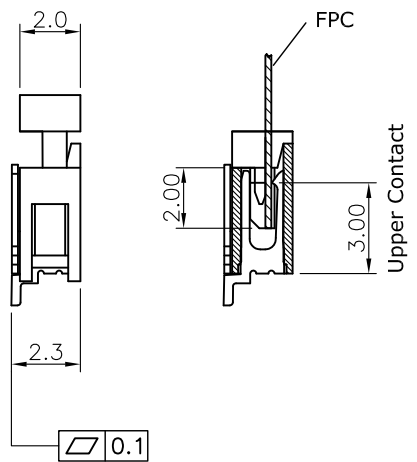
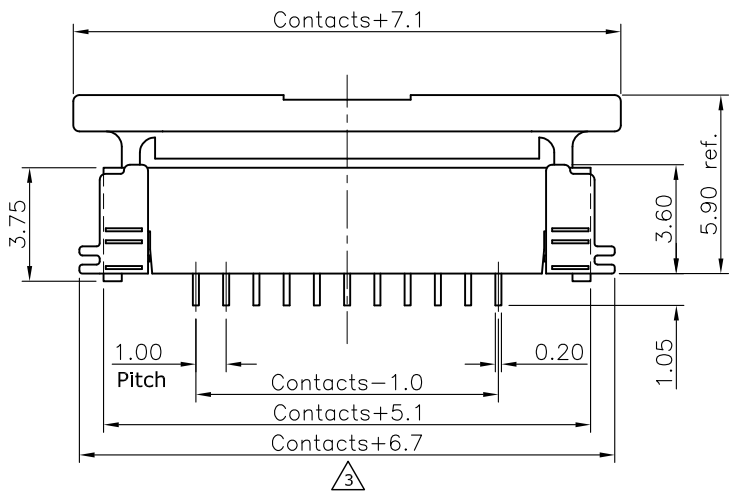
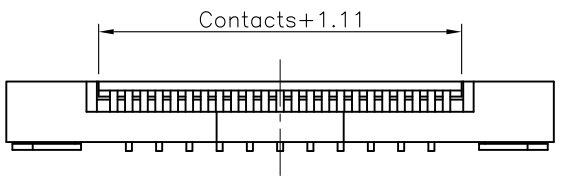
How to order:

311B- XX U A A - R
 1 2 3 4

- △ 1 pin count: xx= 03~30
 (Please contact with sales for the pins count available)
- 2 contact type: U= upper contact
- 3 plating: A= Tin over Nickel plating
- 4 packaging: A= tape and reel

4	HOLDDOWN	Brass, 100u" Tin over 50u" Ni plating
3	CONTACT	Phosphor Bronze, 100u" Tin over 50u" Ni plating
2	ACTUATOR	PPS, UL94V-0
1	HOUSING	PA46, UL94V-0

NO.		PART NAME	DESCRIPTION
UNLESS OTHERWISE SPECIFIED TOLERANCE			
UNIT:	DECIMAL	LINEAR	ANGLES
	mm	X, X.X	±0.50 ±0.25
		X, XX	±5° ±3° ±1°
www.attend.com.tw			
DRAWN	Willis	2012/08/03	DRAWN NAME:
CHECKED	Angel	2012/08/03	FPC Connector Ptch:1.0mm, H:2.0mm Upper Contact Type
APPROVED	Ken	2012/08/03	PRODUCT NO. 311B-XXUAA-R
SCALE	4/1	SHEET	1/1
SIZE	A4	FILE NAME	311B-XXUAA-R_B_3



RECOMMENDED LAYOUT (TOP VIEW)
GENERAL TOLERANCE: ±0.05mm

FPC DIMENSION
THICKNESS 0.30mm

