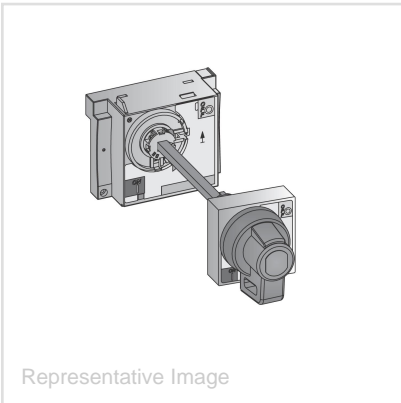


Ref. No. 436494 | Cat. No. FENRDV/5
Description: FE-Rotary Handle Door mounted red
EAN 5050096364949
Home > Industrial Circuit Breakers > Moulded Case Circuit Breakers

The Record Plus rotary handle is specifically designed to allow the user to change the linear motion of the breaker to a rotation over a 90 degree angle. This can be accomplished by simply adding an adaption box to the breaker front. The design is universal for the whole breaker line and has the "OFF" position placed at 3 o'clock and the "ON" position at 6 o'clock. The third breaker position "TRIP" is located between the "ON" and the "OFF" position. The design has room for two early closing and late opening contact blocks that, in order to save installation time, are delivered pre-mounted and pre-wired with a specific rotary-handle device. Each Record Plus rotary handle is designed to allow the user to place one to three 5 to 8 mm padlocks to lock the breaker in the "OFF" position.



Representative Image

Descriptors

Category	Moulded Case Circuit Breakers
----------	-------------------------------

Specifications

Series	Accessories
Range	Operators
Number of poles	3P / 4P
Frame type	E frame (160A/250A)
Type of Accessory	Rotary handles
Accessory Detail	Rotary handle - door mounted

Classifications

ETIM 5.0	EC000230 - Door coupling handle for switchgear
ETIM 6.0	EC000230 - Door coupling handle for switchgear
ETIM 7.0	EC000230 - Door coupling handle for switchgear

Dimensions

Weight	0.510 kg
--------	----------

Package Information

Standard packing	1
------------------	---

Publications

Title	Publication No.	Publication Type
Record Plus - Accesory FE - Rotary Handle Door mounted (stp) 3D Drawing: Industrial Circuit Breaker - Record Plus - Accesory FE - Rotary Handle Door mounted (STEP format)	3D-00982	Drawings - CAD - 3D
Record Plus - Accesory FE - Rotary Handle Door mounted (pdf) 3D PDF Viewer: Industrial Circuit Breaker - Record Plus - Accesory FE - Rotary Handle Door mounted (3DPDF format)	3D-00982-PDF	Drawings - CAD - 3D

Additional Documentation: Visit our Publication Library to find technical documentation, specifications, articles, promotional literature, 3D's,...