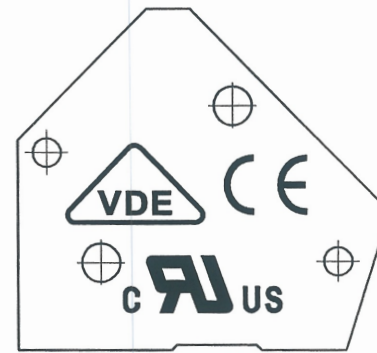
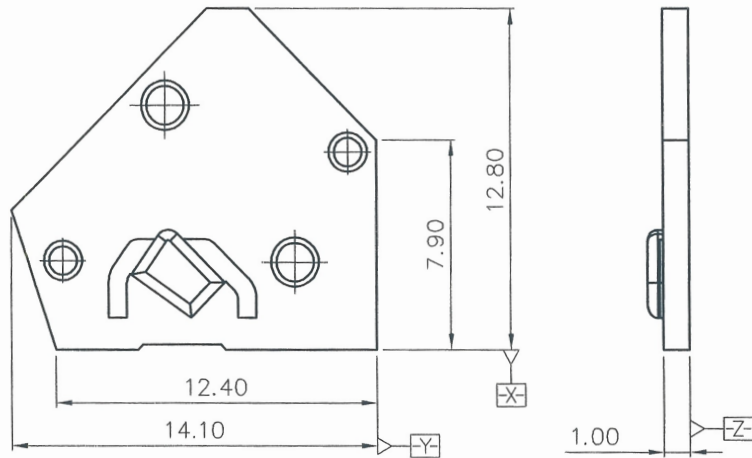


REVISION RECORD

| REV | ECN | DESCRIPTION | DRFT | DATE |
|-----|-----|-------------|------|------|
| | | | | |



NOTES:

- 1.Dimension shall be interpreted per ASME Y14.5-2009
- 2.Operating temperature: -40°C~+105°C
- 3.Undimensioned tolerances:

| Pitch range in mm | | Nominal dimension range in mm | | | | | - | ∩ | □ |
|-------------------|-------|-------------------------------|-------|-------|-------|-------|-------|--------|---|
| TO | Over | TO | Over | TO | Over | TO | Over | TO | |
| 6 | 10 | 10 | 24 | 30 | 60 | 100 | 150 | 150 | |
| ±0.15 | ±0.20 | ±0.30 | ±0.30 | ±0.50 | ±0.70 | ±1.00 | ±1.30 | ±2' | |
| | | | | | | | | 0.1/10 | < |

4.RoHS Compliance

DG245 - 5.0 - 01P - 1Y - 00A (H) Cover
 (Series No.)(Pitch)(Poles) (Single Pitch) (Color):1.(Grey)
 (RoHS)
 00A-(Standard)



- 1.(Grey)
- 2.(Blue)
- 3.(Black)
- 4.(Green)
- 5.(Orange) (外无效)
- 6.(Red)
- 7.(Transparent)
- 8.(Yellow)
- 9.(White)

| ITEM | NAME OF PART | MATERIAL | NOTES |
|------|--------------|----------|---------|
| 1 | DG245-Cover | PA66 | UL94V-0 |

| | | | | |
|------------------------|-------------------------|---|------------------------------|-----------|
| DETACHED LISTS | PART NO.: | 宁波高松电子有限公司 NINGBO DEGSON ELECTRICAL CO., LTD | | |
| | APPD: <i>huan</i> | NAME: | DG245-5.0-01P-1Y-00A(H)COVER | |
| | CHKD: <i>Mark Zhang</i> | TITLE: | CUSTOMER DRAWING | REV TO |
| | DRFT: CenC. 2018.12/27 | DRAWING NO.: | DG245-5.0-C30 | SHEET 1/1 |
| THIRD ANGLE PROJECTION | | DO NOT SCALE DRAWING | SCALE 1:1 | |