

Wafer | Housing | Terminal Series

2.50mm Pitch Connector Series



LWL0640-N -8-



LAL0640-N -9-



CHL0640-N -10-



CTL0640 -11-



CTL0640(M) -12-



MTL0640 -13-



LW0640-N -14-



LWS0640-N -15-



LA0640-N -16-



CHW0640-N -17-



CT0640 -18-



LWB0640-N -19-



LAB0640-N -20-



CHB0640-N -21-



CTB0640 -22-



CH0250-N -23-



CT0250 -24-



HLH0250-N -25-



HLT0250 -26-



CH4A1-N -27-



CT4A1 -28-



CH4A2-N -29-



CT4A2 -30-



BH0640-N -31-



BT0640 -32-

2.5mm Pitch Wire to Board LWL 0640-N Lock Wafer

Features And Specifications

Electrical

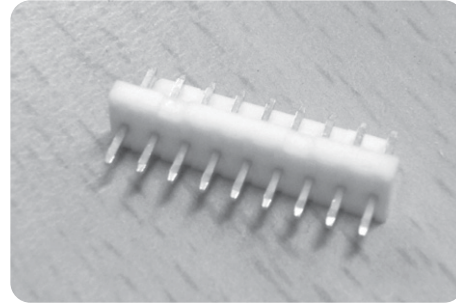
- Voltage Rating : 250VAC max
- Current Rating : 3A max
- Contact Resistance : 30m Ω max
- Insulation Resistance : 1,000M Ω min
- Dielectric Withstanding Voltage : 1,000VAC for 60 seconds

Physical

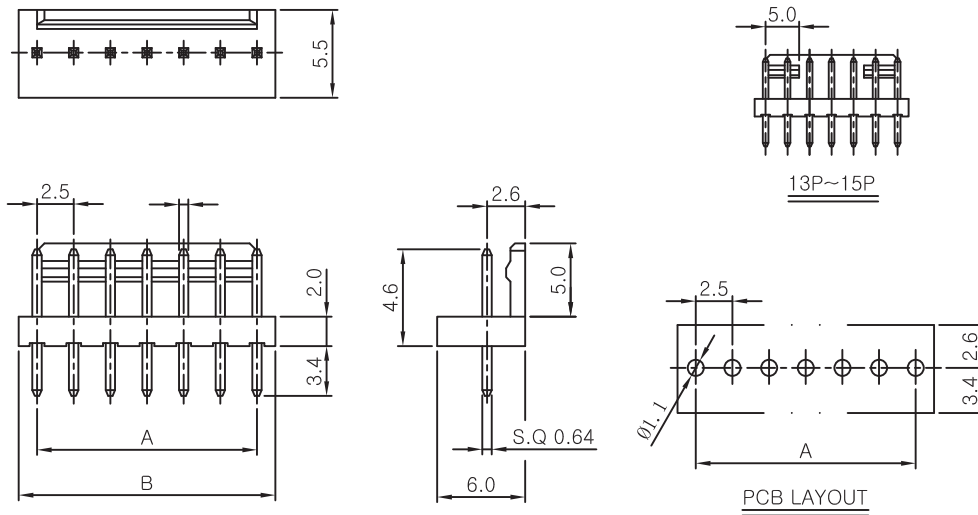
- Housing : Nylon66, UL94V Grade
- Pin : 0.64mm Square Brass Pin, Tin Plated
- Operating Temperature : -40 $^{\circ}$ C ~ +105 $^{\circ}$ C

Reference Information

- Mates With : CHL0640-N, MHL0640-N Series
- Packing : Bag
- UL File No : E92854
- Designed In : Millimeters



Dimensions (For Reference Only)



Ordering Information And Dimensions

CKT	MODEL NO.	A	B	CKT	MODEL NO.	A	B
2	LWL0640-02	2.5	5.0	9	LWL0640-09	20.0	22.5
3	LWL0640-03	5.0	7.5	10	LWL0640-10	22.5	25.0
4	LWL0640-04	7.5	10.0	11	LWL0640-11	25.0	27.5
5	LWL0640-05	10.0	12.5	12	LWL0640-12	27.5	30.0
6	LWL0640-06	12.5	15.0	13	LWL0640-13	30.0	32.5
7	LWL0640-07	15.0	17.5	14	LWL0640-14	32.5	35.0
8	LWL0640-08	17.5	20.0	15	LWL0640-15	35.0	37.5

2.5mm Pitch Wire to Board LAL 0640-N Lock Wafer

Features And Specifications

Electrical

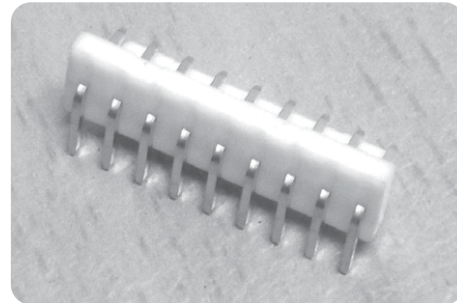
- Voltage Rating : 250VAC max
- Current Rating : 3A max
- Contact Resistance : 30m Ω max
- Insulation Resistance : 1,000M Ω min
- Dielectric Withstanding Voltage : 1000VAC for 60 seconds

Physical

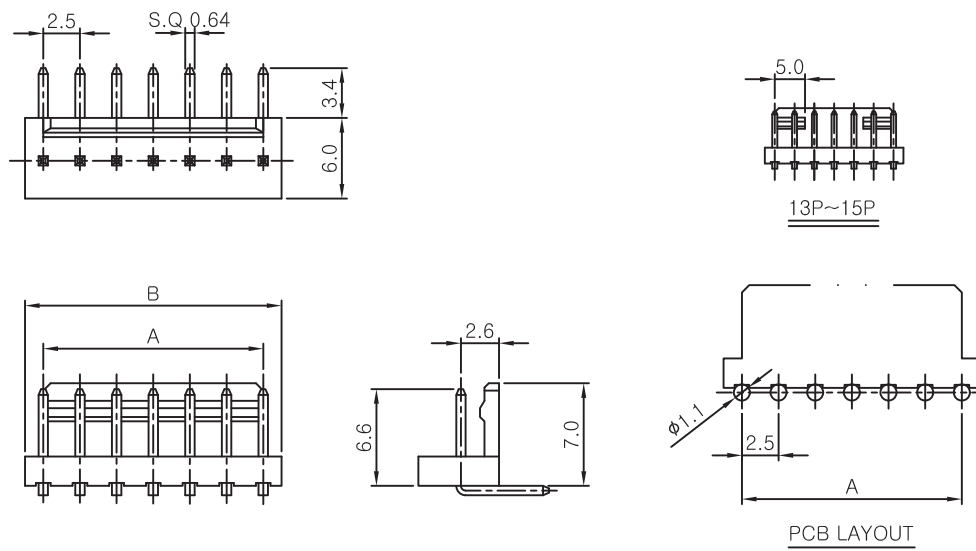
- Housing : Nylon66, UL94V Grade
- Pin : 0.64mm Square Brass Pin, Tin Plated
- Operating Temperature : -40 $^{\circ}$ C ~ +105 $^{\circ}$ C

Reference Information

- Mates With : CHL0640-N, MHL0640-N Series
- Packing : Bag
- UL File No. : E92854
- Designed In : Millimeters



Dimensions (For Reference Only)



Ordering Information And Dimensions

CKT	MODEL NO.	A	B	CKT	MODEL NO.	A	B
2	LAL0640-02	2.5	5.0	9	LAL0640-09	20.0	22.5
3	LAL0640-03	5.0	7.5	10	LAL0640-10	22.5	25.0
4	LAL0640-04	7.5	10.0	11	LAL0640-11	25.0	27.5
5	LAL0640-05	10.0	12.5	12	LAL0640-12	27.5	30.0
6	LAL0640-06	12.5	15.0	13	LAL0640-13	30.0	32.5
7	LAL0640-07	15.0	17.5	14	LAL0640-14	32.5	35.0
8	LAL0640-08	17.5	20.0	15	LAL0640-15	35.0	37.5

2.5mm Pitch Wire to Board CHL 0640-N Crimp Terminal Housing

Features And Specifications

Electrical

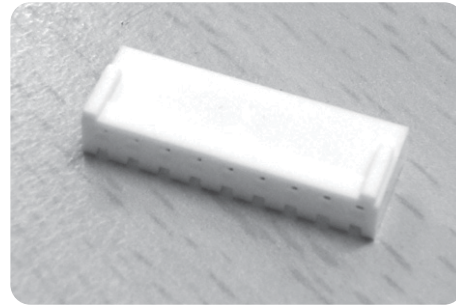
- Voltage Rating : 250VAC max
- Current Rating : 3A max
- Contact Resistance : 30m Ω max
- Insulation Resistance : 1,000M Ω min
- Dielectric Withstanding Voltage : 1,000VAC for 60 seconds

Physical

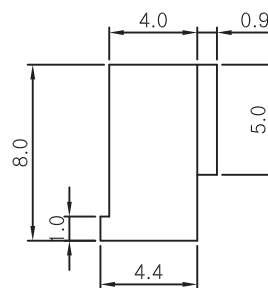
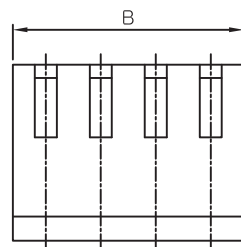
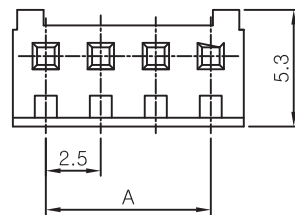
- Housing : Nylon66, UL94V Grade
- Operating Temperature : -40°C ~ +105°C

Reference Information

- Mates With : LAL0640-N, LWL0640-N Series
- Packing : Bag
- UL File No : E92854
- Designed In : Millimeters



Dimensions (For Reference Only)



Ordering Information And Dimensions

CKT	MODEL NO.	A	B	CKT	MODEL NO.	A	B
2	CHL0640-02	2.5	5.5	9	CHL0640-09	20.0	23.0
3	CHL0640-03	5.0	8.0	10	CHL0640-10	22.5	25.5
4	CHL0640-04	7.5	10.5	11	CHL0640-11	25.0	28.0
5	CHL0640-05	10.0	13.0	12	CHL0640-12	27.5	30.5
6	CHL0640-06	12.5	15.5	13	CHL0640-13	30.0	33.0
7	CHL0640-07	15.0	18.0	14	CHL0640-14	32.5	35.5
8	CHL0640-08	17.5	20.5	15	CHL0640-15	35.0	38.0

2.5mm Pitch Wire to Board CTL 0640 Crimp Terminal

Features And Specifications

Electrical

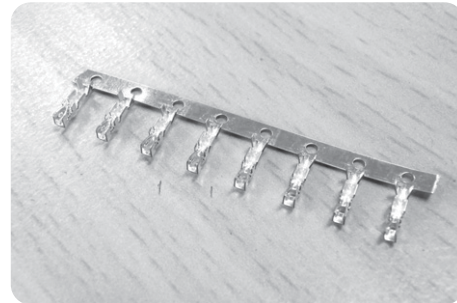
- Voltage Rating : 250VAC max
- Current Rating : 3A max
- Contact Resistance : 30m Ω max
- Insulation Resistance : 1,000M Ω min
- Dielectric Withstanding Voltage : 1,000VAC for 60 seconds

Physical

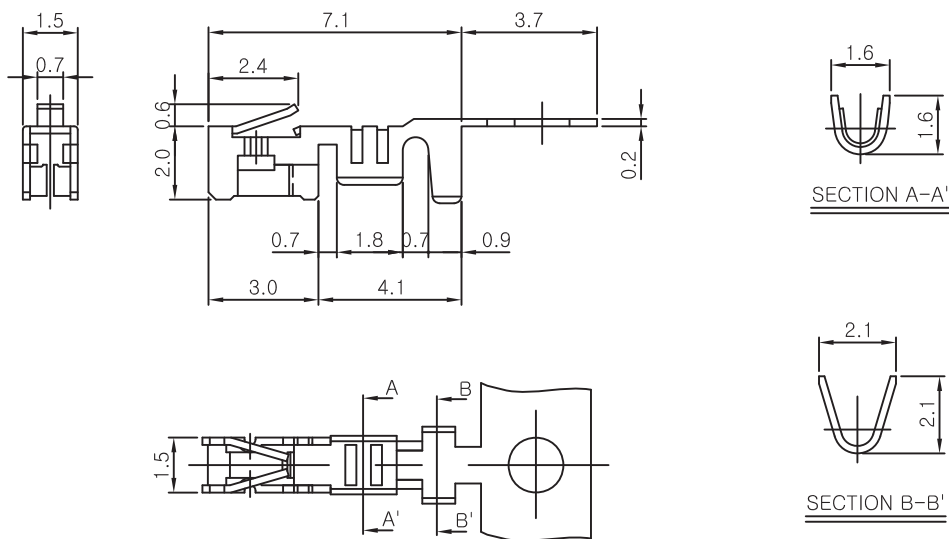
- Terminal : Phosphor Bronze Tin Plated
- Operating Temperature : -40°C ~ +105°C

Reference Information

- Applicable Wire : AWG#22~#28
- Use With : CHL0640-N Series
- Packing : Reel
- UL File No : E92854
- Designed In : Millimeters



Dimensions (For Reference Only)



Ordering Information And Dimensions

Order No.	Packing	Wire Gauge	Insulation Diameter	Contact Material
CTL0640	10,000Pcs/Reel	AWG#22~#28	ϕ 1.9Max	Phosphor Bronze Tin Plated
	Loose			

2.5mm Pitch Wire to Board CTL 0640(M) Crimp Terminal

Features And Specifications

Electrical

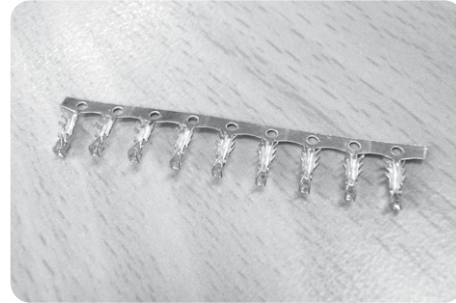
- Voltage Rating : 250VAC max
- Current Rating : 3A max
- Contact Resistance : 30m Ω max
- Insulation Resistance : 1,000M Ω min
- Dielectric Withstanding Voltage : 1,000VAC for 60 seconds

Physical

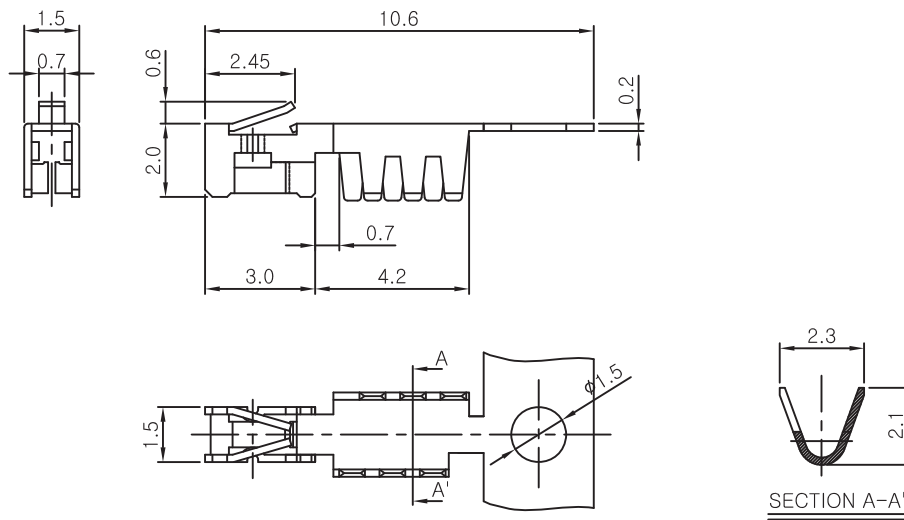
- Terminal : Phosphor Bronze Tin Plated
- Operating Temperature : -40°C ~ +105°C

Reference Information

- Applicable Wire : AWG#22~#28
- Use With : CHL0640-N Series
- Packing : Reel
- UL File No : E92854
- Designed In : Millimeters



Dimensions (For Reference Only)



Ordering Information And Dimensions

Order No.	Packing	Wire Gauge	Insulation Diameter	Contact Material
CTL0640	10,000Pcs/Reel	AWG#22~#28	ϕ 1.9Max	Phosphor Bronze Tin Plated
	Loose			

2.5mm Pitch Wire to Board MTL 0640 Crimp Terminal

Features And Specifications

Electrical

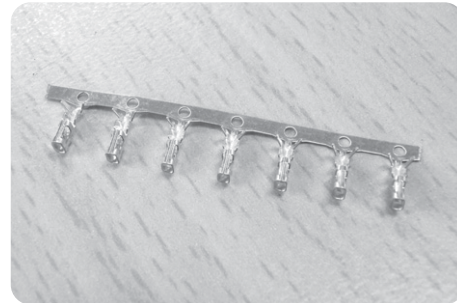
- Voltage Rating : 250VAC max
- Current Rating : 3A max
- Contact Resistance : 30m Ω max
- Insulation Resistance : 1,000M Ω min
- Dielectric Withstanding Voltage : 1,000VAC for 60 seconds

Physical

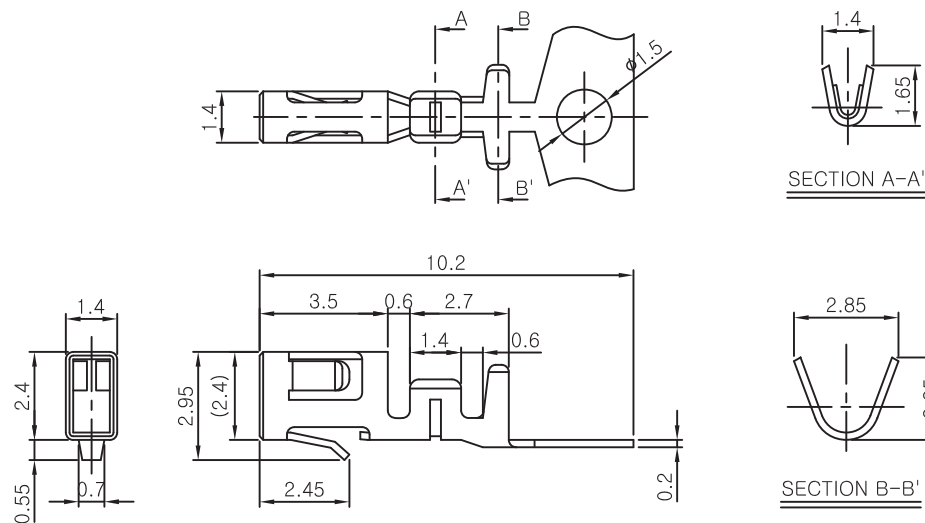
- Terminal : Phosphor Bronze Tin Plated
- Operating Temperature : -40°C ~ +105°C

Reference Information

- Applicable Wire : AWG#22~#28
- Use With : MHL0640-N Series
- Packing : Reel
- UL File No : E92854
- Designed In : Millimeters



Dimensions (For Reference Only)



Ordering Information And Dimensions

Order No.	Packing	Wire Gauge	Order No.	Contact Material
MTL0640	8,000 Pcs/Reel	AWG#22~#28	Ø 1.9Max	Phosphor Bronze Tin Plated
	Loose			

2.5mm Pitch Wire to Board LW 0640-N Lock Wafer

Features And Specifications

Electrical

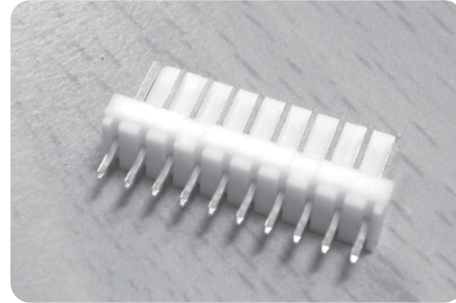
- Voltage Rating : 250VAC max
- Current Rating : 3A max
- Contact Resistance : 30m Ω max
- Insulation Resistance : 1,000M Ω min
- Dielectric Withstanding Voltage : 1,000VAC for 60 seconds

Physical

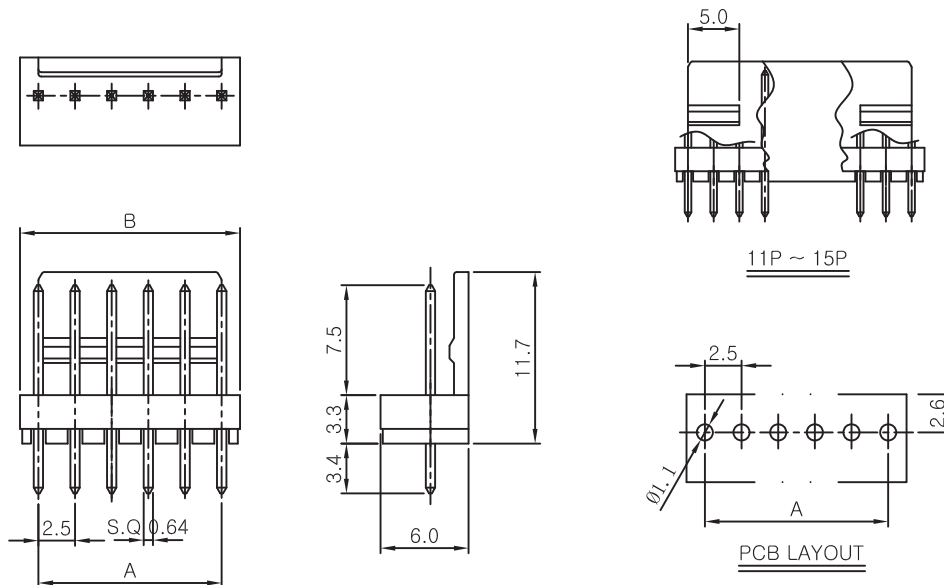
- Housing : Nylon66, UL94V Grade
- Pin : 0.64mm Tin Plated Square Brass Pin
- Operating Temperature : -40 $^{\circ}$ C ~ +105 $^{\circ}$ C

Reference Information

- Mates With : CHW0640-N Series
- Packing : Bag
- Designed In : Millimeters



Dimensions (For Reference Only)



Ordering Information And Dimensions

CKT	MODEL NO.	A	B	CKT	MODEL NO.	A	B
2	LW0640-02	2.5	5.0	9	LW0640-09	20.0	22.5
3	LW0640-03	5.0	7.5	10	LW0640-10	22.5	25.0
4	LW0640-04	7.5	10.0	11	LW0640-11	25.0	27.5
5	LW0640-05	10.0	12.5	12	LW0640-12	27.5	30.0
6	LW0640-06	12.5	15.0	13	LW0640-13	30.0	32.5
7	LW0640-07	15.5	17.5	14	LW0640-14	32.5	35.0
8	LW0640-08	17.5	20.0	15	LW0640-15	35.0	37.5

2.5mm Pitch Wire to Board LWS 0640-N Special Lock Wafer

Features And Specifications

Electrical

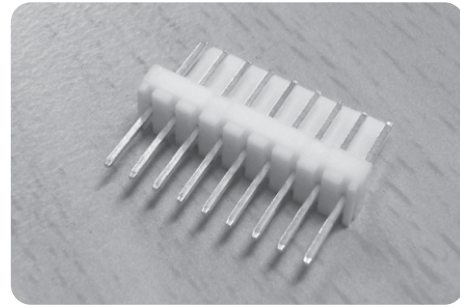
- Voltage Rating : 250VAC max
- Current Rating : 3A max
- Contact Resistance : 30m Ω max
- Insulation Resistance : 1,000M Ω min
- Dielectric Withstanding Voltage : 1,000VAC for 60 seconds

Physical

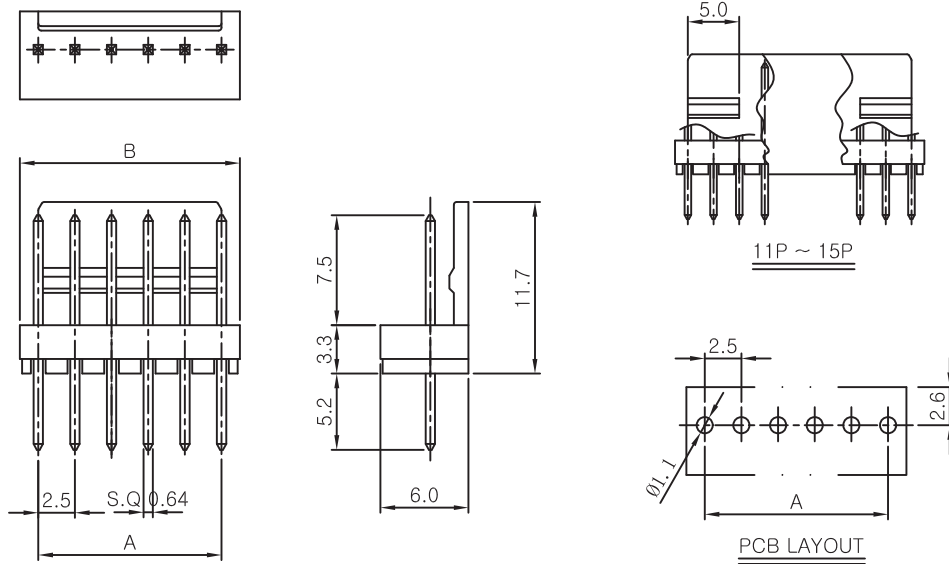
- Housing : Nylon66, UL94V Grade
- Pin : 0.64mm Tin Plated Square Brass Pin
- Operating Temperature : -40°C ~ +105°C

Reference Information

- Mates With : CHW0640-N Series
- Packing : Bag
- Designed In : Millimeters



Dimensions (For Reference Only)



Ordering Information And Dimensions

CKT	MODEL NO.	A	B	CKT	MODEL NO.	A	B
2	LWS0640-02	2.5	5.0	9	LWS0640-09	20.0	22.5
3	LWS0640-03	5.0	7.5	10	LWS0640-10	22.5	25.0
4	LWS0640-04	7.5	10.0	11	LWS0640-11	25.0	27.5
5	LWS0640-05	10.0	12.5	12	LWS0640-12	27.5	30.0
6	LWS0640-06	12.5	15.0	13	LWS0640-13	30.0	32.5
7	LWS0640-07	15.5	17.5	14	LWS0640-14	32.5	35.0
8	LWS0640-08	17.5	20.0	15	LWS0640-15	35.0	37.5

2.5mm Pitch Wire to Board LA 0640-N Lock Angle Wafer

Features And Specifications

Electrical

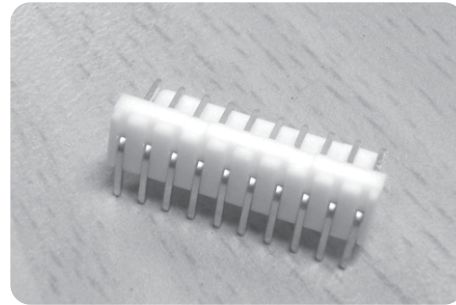
- Voltage Rating : 250VAC max
- Current Rating : 3A max
- Contact Resistance : 30m Ω max
- Insulation Resistance : 1,000M Ω min
- Dielectric Withstanding Voltage : 1,000VAC for 60 seconds

Physical

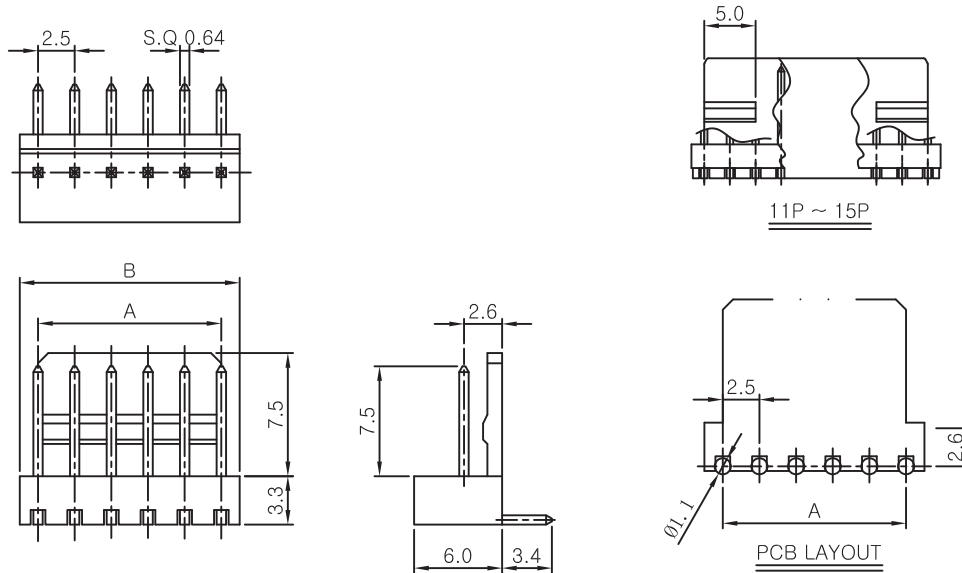
- Housing : Nylon66, UL94V Grade
- Pin : 0.64mm Tin Plated Square Brass Pin
- Operating Temperature : -40 $^{\circ}$ C ~ +105 $^{\circ}$ C

Reference Information

- Mates With : CHW0640-N Series
- Packing : Bag
- Designed In : Millimeters



Dimensions (For Reference Only)



Ordering Information And Dimensions

CKT	MODEL NO.	A	B	CKT	MODEL NO.	A	B
2	LA0640-02	2.5	5.0	9	LA0640-09	20.0	22.5
3	LA0640-03	5.0	7.5	10	LA0640-10	22.5	25.0
4	LA0640-04	7.5	10.0	11	LA0640-11	25.0	27.5
5	LA0640-05	10.0	12.5	12	LA0640-12	27.5	30.0
6	LA0640-06	12.5	15.0	13	LA0640-13	30.0	32.5
7	LA0640-07	15.5	17.5	14	LA0640-14	32.5	35.0
8	LA0640-08	17.5	20.0	15	LA0640-15	35.0	37.5

2.5mm Pitch Wire to Board CHW 0640-N Crimp Terminal Housing

Features And Specifications

Electrical

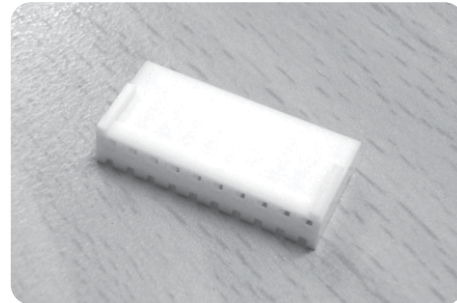
- Voltage Rating : 250VAC max
- Current Rating : 3A max
- Contact Resistance : 30m Ω max
- Insulation Resistance : 1,000M Ω min
- Dielectric Withstanding Voltage : 1,000VAC for 60 seconds

Physical

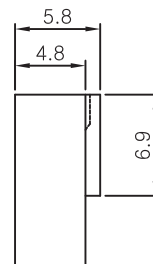
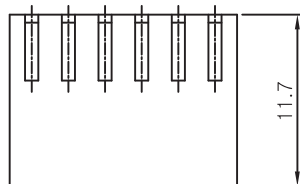
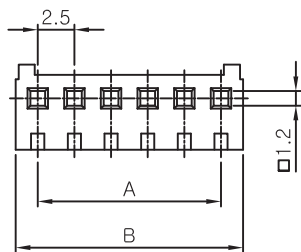
- Housing Material : Nylon66, UL94V Grade
- Operating Temperature : -40°C ~ +105°C

Reference Information

- Mates With : LW0640-N, LA0640-N Series
- Packing : Bag
- Designed In : Millimeters



Dimensions (For Reference Only)



Ordering Information And Dimensions

CKT	MODEL NO.	A	B	CKT	MODEL NO.	A	B
2	CHW0640-02	2.5	5.5	9	CHW0640-09	20.0	23.0
3	CHW0640-03	5.0	8.0	10	CHW0640-10	22.5	25.5
4	CHW0640-04	7.5	10.5	11	CHW0640-11	25.0	28.0
5	CHW0640-05	10.0	13.0	12	CHW0640-12	27.5	30.5
6	CHW0640-06	12.5	15.5	13	CHW0640-13	30.0	33.0
7	CHW0640-07	15.5	18.0	14	CHW0640-14	32.5	35.5
8	CHW0640-08	17.5	20.5	15	CHW0640-15	35.0	38.0

2.5mm Pitch Wire to Board CT 0640 Crimp Terminal

Features And Specifications

Electrical

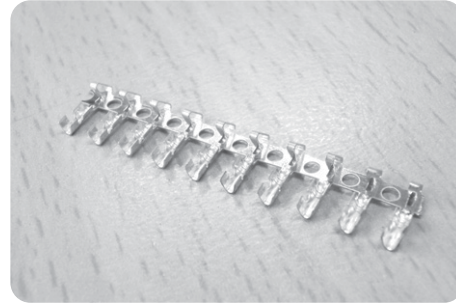
- Voltage Rating : 250VAC max
- Current Rating : 3A max
- Contact Resistance : 30m Ω max
- Insulation Resistance : 1,000M Ω min
- Dielectric Withstanding Voltage : 1,000VAC for 60 seconds

Physical

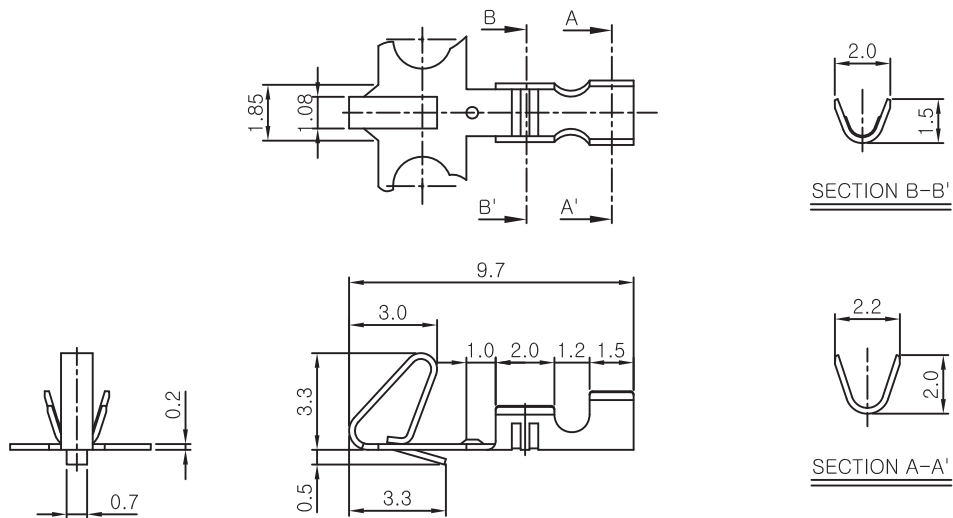
- Terminal : Brass, Tin Plated
- Operating Temperature : -40 $^{\circ}$ C ~ +105 $^{\circ}$ C

Reference Information

- Applicable Wire : AWG#22~#28
- Use With : CH0640-N, CHP0640-N, CHW0640-N Series
- Packing : Bag
- UL File No. : E92854
- Designed In : Millimeters



Dimensions (For Reference Only)



Ordering Information And Dimensions

Order No.	Packing	Wire Gauge	Insulation Diameter	Contact Material
CT0640	10,000Pcs/Reel	AWG#22~#28	ϕ 1.9Max	Brass, Tin Plated
	Loose			

2.5mm Pitch Wire to Board LWB 0640-N Box Type Wafer

Features And Specifications

Electrical

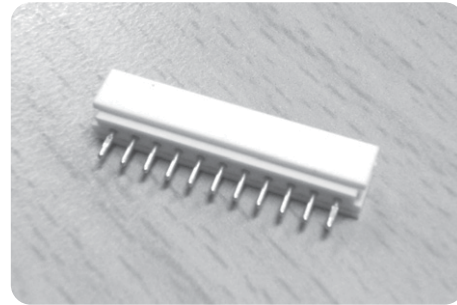
- Voltage Rating : 250VAC max
- Current Rating : 3A max
- Contact Resistance : 30m Ω max
- Insulation Resistance : 1,000M Ω min
- Dielectric Withstanding Voltage : 1,000VAC for 60 seconds

Physical

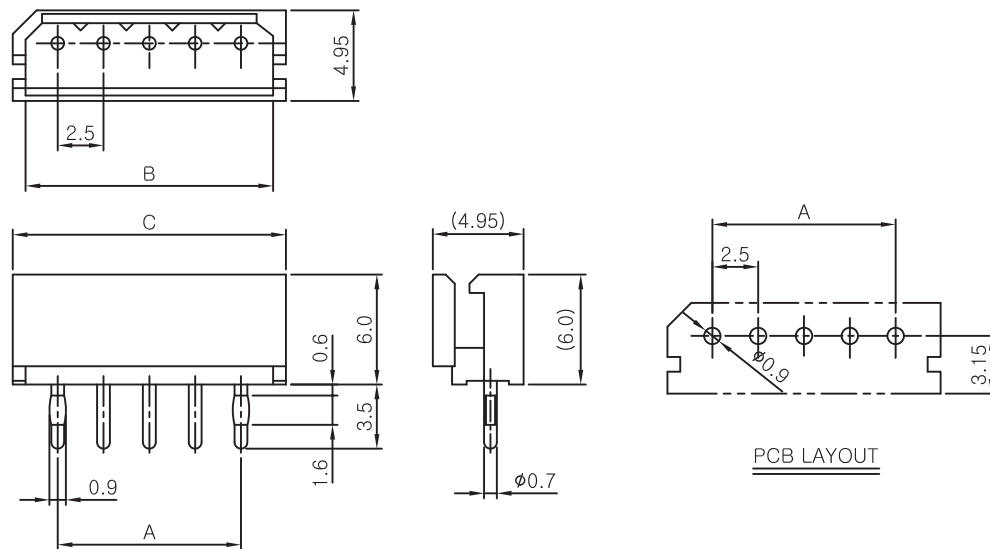
- Housing : Nylon66, UL94V-0
- Pin : ϕ 0.7mm Tin Plated Square Brass Pin
- Operating Temperature : -40 $^{\circ}$ C ~ +105 $^{\circ}$ C

Reference Information

- Mates With : CHB0640-N Series
- Packing : Bag
- UL File No.: E92854
- Designed In : Millimeters



Dimensions (For Reference Only)



Ordering Information And Dimensions

CKT	MODEL NO.	A	B	C	CKT	MODEL NO.	A	B	C
2	LWB0640-02	2.5	6.0	7.4	10	LWB0640-10	22.5	26.0	27.4
3	LWB0640-03	5.0	8.5	9.9	11	LWB0640-11	25.0	28.5	29.9
4	LWB0640-04	7.5	11.0	12.4	12	LWB0640-12	27.5	31.0	32.4
5	LWB0640-05	10.0	13.5	14.9	13	LWB0640-13	30.0	33.5	34.9
6	LWB0640-06	12.5	16.0	17.4	14	LWB0640-14	32.5	36.0	37.4
7	LWB0640-07	15.0	18.5	19.9	15	LWB0640-15	35.0	38.5	39.9
8	LWB0640-08	17.5	21.0	22.4	16	LWB0640-16	37.5	41.0	42.4
9	LWB0640-09	20.0	23.5	24.9					

2.5mm Pitch Wire to Board LAB 0640-N Angle Box Type Wafer

Features And Specifications

Electrical

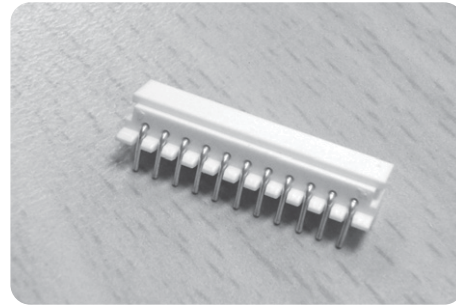
- Voltage Rating : 250VAC max
- Current Rating : 3A max
- Contact Resistance : 30m Ω max
- Insulation Resistance : 1,000M Ω min
- Dielectric Withstanding Voltage : 1,000VAC for 60 seconds

Physical

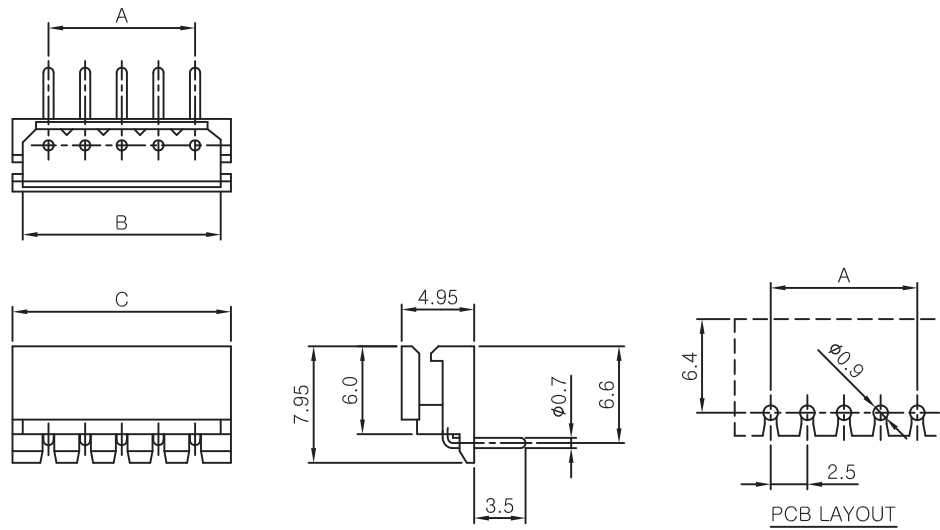
- Housingl : Nylon66, UL94V-0
- Pin : ϕ 0.7 mm Tin Plated Square Brass Pin
- Operating Temperature : -40 $^{\circ}$ C ~ +105 $^{\circ}$ C

Reference Information

- Mates With : CHB0640-N Series
- Packing : Bag
- UL File No.: E92854
- Designed In : Millimeters



Dimensions (For Reference Only)



Ordering Information And Dimensions

CKT	MODEL NO.	A	B	C	CKT	MODEL NO.	A	B	C
2	LAB0640-02	2.5	6.0	7.4	10	LAB0640-10	22.5	26.0	27.4
3	LAB0640-03	5.0	8.5	9.9	11	LAB0640-11	25.0	28.5	29.9
4	LAB0640-04	7.5	11.0	12.4	12	LAB0640-12	27.5	31.0	32.4
5	LAB0640-05	10.0	13.5	14.9	13	LAB0640-13	30.0	33.5	34.9
6	LAB0640-06	12.5	16.0	17.4	14	LAB0640-14	32.5	36.0	37.4
7	LAB0640-07	15.0	18.5	19.9	15	LAB0640-15	35.0	38.5	39.9
8	LAB0640-08	17.5	21.0	22.4	16	LAB0640-16	37.5	41.0	42.4
9	LAB0640-09	20.0	23.5	24.9					

2.5mm Pitch Wire to Board CHB 0640-N Crimp Terminal Housing

Features And Specifications

Electrical

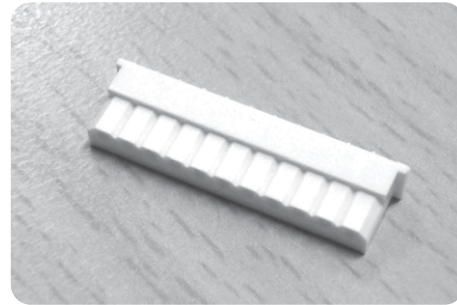
- Voltage Rating : 250VAC max
- Current Rating : 3A max
- Contact Resistance : 30m Ω max
- Insulation Resistance : 1,000M Ω min
- Dielectric Withstanding Voltage : 1,000VAC for 60 seconds

Physical

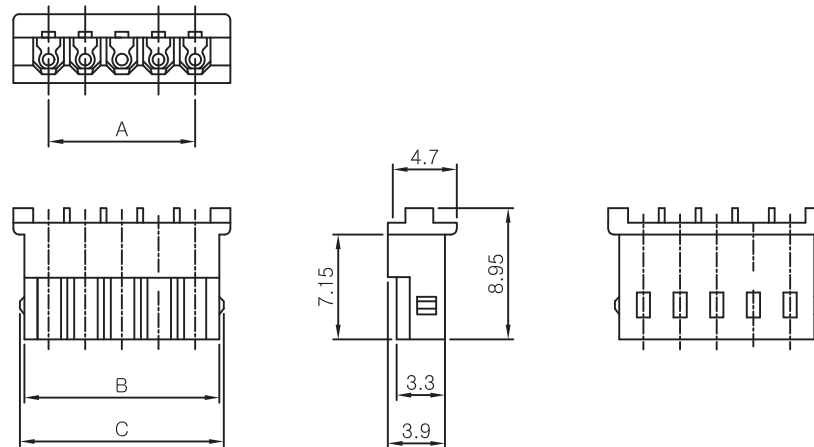
- Housing : Nylon66, UL94V-0
- Operating Temperature : -40°C~ +105°C

Reference Information

- Mates With : LWB0640-N, LAB0640-N Series
- Use With : CTB0640
- Packing : Bag
- UL File No : E92854
- Designed In : Millimeters



Dimensions (For Reference Only)



Ordering Information And Dimensions

CKT	MODEL NO.	A	B	C	CKT	MODEL NO.	A	B	C
2	CHB0640-02	2.5	5.8	6.4	10	CHB0640-10	22.5	25.8	-
3	CHB0640-03	5.0	8.3	8.9	11	CHB0640-11	25.0	28.3	-
4	CHB0640-04	7.5	10.8	11.4	12	CHB0640-12	27.5	30.8	-
5	CHB0640-05	10.0	13.3	13.9	13	CHB0640-13	30.0	33.3	-
6	CHB0640-06	12.5	15.8	16.4	14	CHB0640-14	32.5	35.8	-
7	CHB0640-07	15.0	18.3	18.9	15	CHB0640-15	35.0	38.3	-
8	CHB0640-08	17.5	20.8	21.4	16	CHB0640-16	37.5	40.8	-
9	CHB0640-09	20.0	23.3	-					

2.5mm Pitch Wire to Board CTB 0640 Crimp Terminal

Features And Specifications

Electrical

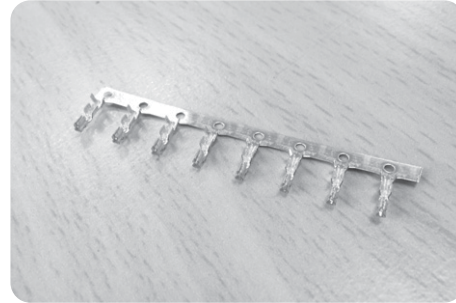
- Voltage Rating : 250VAC max
- Current Rating : 3A max
- Contact Resistance : 30m Ω max
- Insulation Resistance : 1,000M Ω min
- Dielectric Withstanding Voltage : 1,000VAC for 60 seconds

Physical

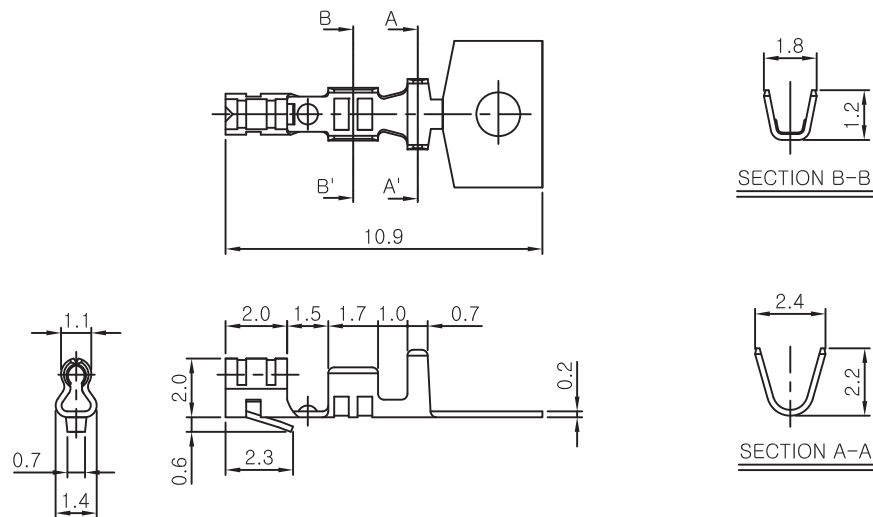
- Terminal : Tin Plated Phosphor Bronze
- Operating Temperature : -40 $^{\circ}$ C ~ +105 $^{\circ}$ C

Reference Information

- Applicable Wire : AWG#22~#28
- Use With : CHB0640-N Series
- Packing : Reel
- UL File No : E92854
- Designed In : Millimeters



Dimensions (For Reference Only)



Ordering Information And Dimensions

Order No.	Packing	Wire Gauge	Insulation Diameter	Contact Material
CTB0640	10,000Pcs/Reel	AWG#22~#28	ϕ 1.9Max	Tin Plated
	Loose			Phosphor Bronze

2.5mm Pitch Wire to Board CH 0250-04P Crimp Terminal Housing

Features And Specifications

Electrical

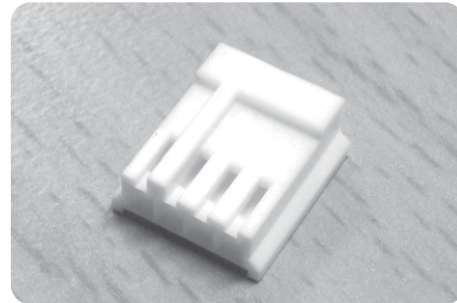
- Voltage Rating : 125V, 250VAC Max
- Current Rating : 3A max
- Contact Resistance : 30m Ω max
- Insulation Resistance : 1,000M Ω min
- Dielectric Withstanding Voltage : 1,000VAC for 60 seconds

Physical

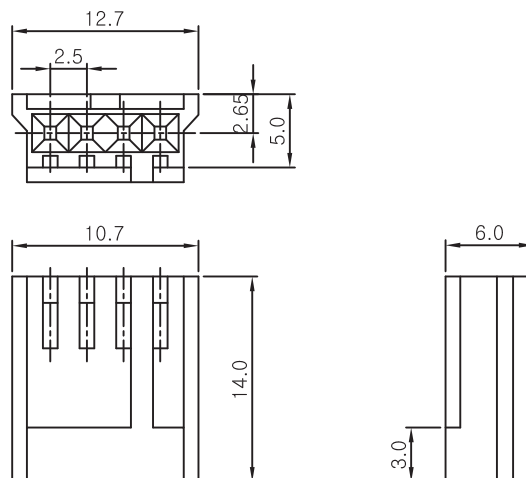
- Housing : Nylon66, UL94V Grade
- Operating Temperature : -40°C ~ +105°C

Reference Information

- Use With : CT0250
- Packing : Bag
- UL File No : E92854
- Designed In : Millimeters



Dimensions (For Reference Only)



2.5mm Pitch Wire to Board CT 0250 Crimp Terminal

Features And Specifications

Electrical

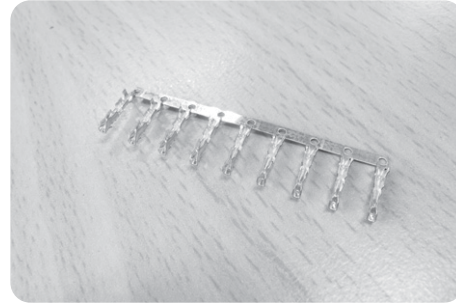
- Voltage Rating : 250VAC max
- Current Rating : 3A max
- Contact Resistance : 30m Ω max
- Insulation Resistance : 1,000M Ω min
- Dielectric Withstanding Voltage : 1,000VAC for 60 seconds

Physical

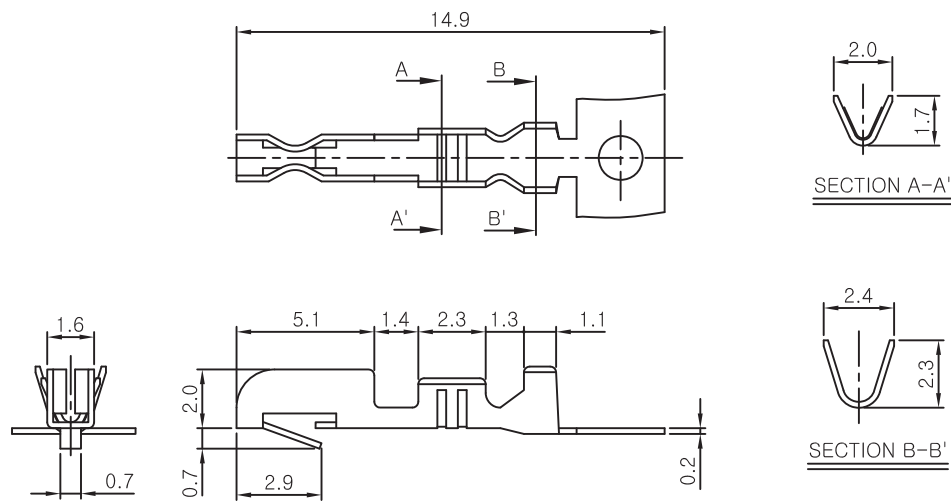
- Terminal : Tin Plated Brass
- Operating Temperature : -40°C ~ +105°C

Reference Information

- Applicable Wire : AWG#20~#26
- Use With : CH0250-04P
- Packing : Reel
- UL File No : E92854
- Designed In : Millimeters



Dimensions (For Reference Only)



Ordering Information And Dimensions

Order No.	Packing	Wire Gauge	Contact Material
CT0250	10,000Pcs/Reel	AWG#20~#26	Tin Plated Brass
	Loose		

2.5mm Pitch Wire to Board HLH 0250-N Crimp Terminal Housing

Features And Specifications

Electrical

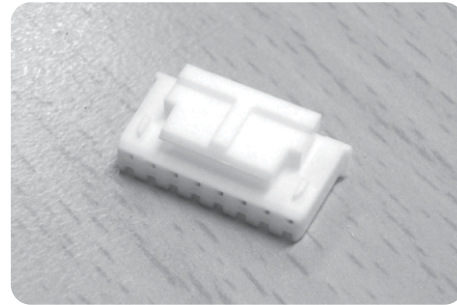
- Voltage Rating : 250VAC max
- Current Rating : 3A max
- Contact Resistance : 30m Ω max
- Insulation Resistance : 1,000M Ω min
- Dielectric Withstanding Voltage : 1,000VAC for 60 seconds

Physical

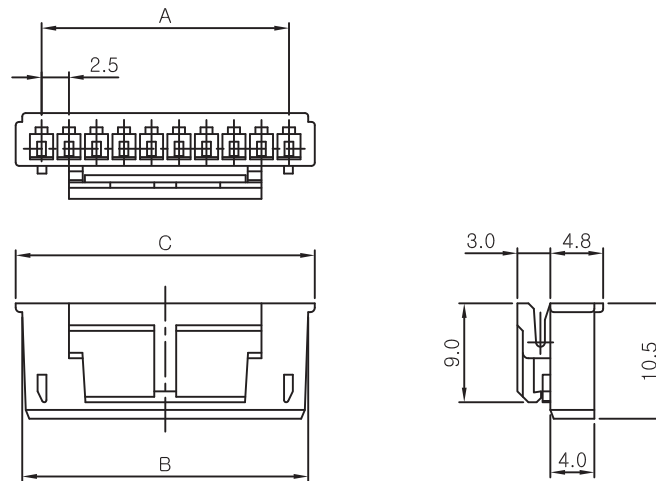
- Housing : Nylon66, UL94V Grade
- Operating Temperature : -40°C ~ +105°C

Reference Information

- Mates With : HLW0250-N Series
- Use With : HLT0250
- Packing : Bag



Dimensions (For Reference Only)



Ordering Information And Dimensions

CKT	MODEL NO.	A	B	C	D	CKT	MODEL NO.	A	B	C	D
2	HLH0250-02	7.2	5.79	3.0	2.5	9	HLH0250-09	24.7	23.29	17.5	20.0
3	HLH0250-03	9.7	8.29	3.0	5.0	10	HLH0250-10	27.2	25.79	17.5	22.5
4	HLH0250-04	12.2	10.79	5.0	7.5	11	HLH0250-11	29.7	28.29	17.5	25.0
5	HLH0250-05	14.7	13.29	5.0	10.0	12	HLH0250-12	32.2	30.79	17.5	27.5
6	HLH0250-06	17.2	15.79	10.0	12.5	13	HLH0250-13	34.7	33.29	17.5	30.0
7	HLH0250-07	19.7	18.29	12.5	15.0	14	HLH0250-14	37.2	35.79	17.5	32.5
8	HLH0250-08	22.2	20.79	15.0	17.5	15	HLH0250-15	39.7	35.29	17.5	35.0

2.5mm Pitch Wire to Board HLT 0250 Crimp Terminal

Features And Specifications

Electrical

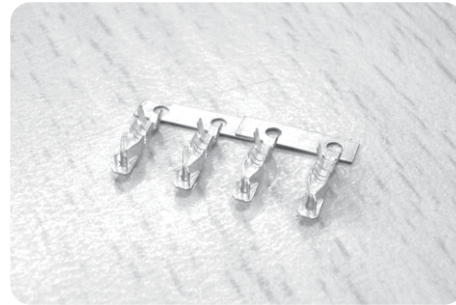
- Voltage Rating : 250VAC max
- Current Rating : 3A max
- Contact Resistance : 30m Ω max
- Insulation Resistance : 1,000M Ω min
- Dielectric Withstanding Voltage : 1,000VAC for 60 seconds

Physical

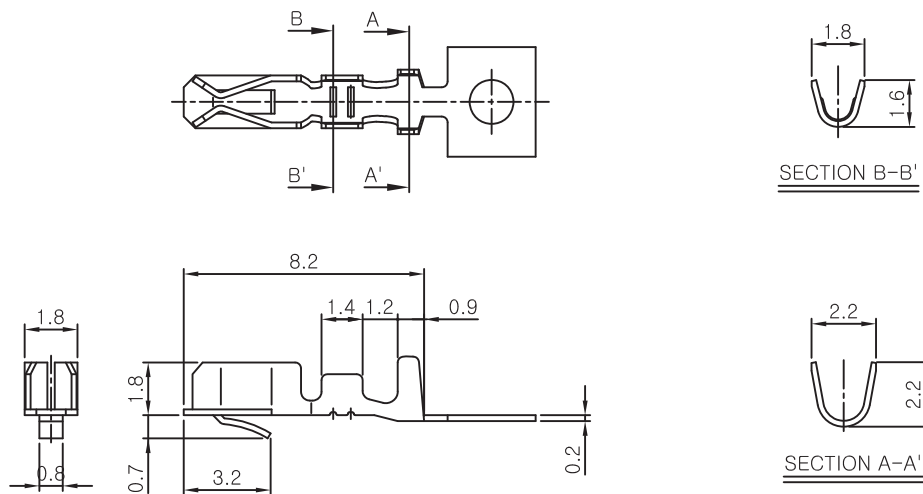
- Terminal : Phosphor Bronze Tin Plated
- Operating Temperature : -40°C ~ +105°C

Reference Information

- Applicable Wire : AWG#22~#28
- Use With : HLH0250-N Series
- Packing : Reel
- Designed In : Millimeters



Dimensions (For Reference Only)



Ordering Information And Dimensions

Order No.	Packing	Wire Gauge	Insulation Diameter	Contact Material
HLT 0250	15,000Pcs/Reel	AWG#22~#28	Ø 1.9Max	Phosphor Bronze
	Loose			Tin Plated

2.5mm Pitch Wire to Board CH 4A1-N Crimp Terminal Housing

Features And Specifications

Electrical

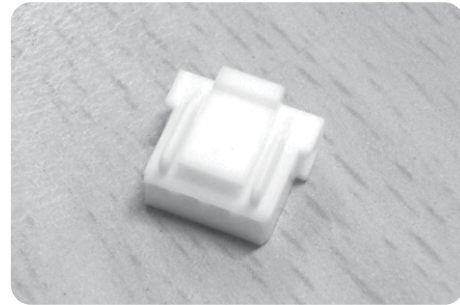
- Voltage Rating : 250VAC max
- Current Rating : 3A max
- Contact Resistance : 30m Ω max
- Insulation Resistance : 1,000M Ω min
- Dielectric Withstanding Voltage : 1,000VAC for 60 seconds

Physical

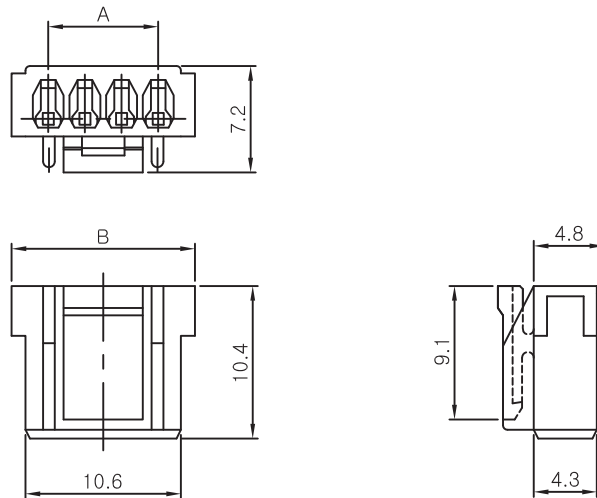
- Housing : Nylon66, UL94V Grade
- Operating Temperature : -40°C ~ +105°C

Reference Information

- Mates With : CH4A2-N Series
- Use With : CT4A1
- Packing : Bag
- Designed In : Millimeters



Dimensions (For Reference Only)



Ordering Information And Dimensions

CKT	MODEL NO	A	B	CKT	MODEL NO	A	B
4	CH4A1-04	7.5	12.5				

2.5mm Pitch Wire to Wire CT 4A1 Crimp Terminal

Features And Specifications

Electrical

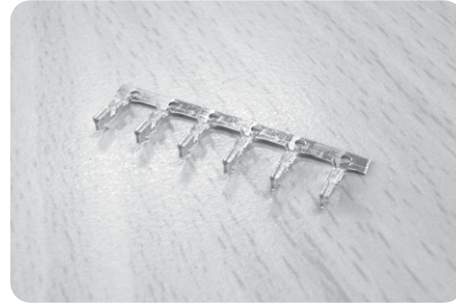
- Voltage Rating : 250VAC max
- Current Rating : 3A max
- Contact Resistance : 30m Ω max
- Insulation Resistance : 1,000M Ω min
- Dielectric Withstanding Voltage : 1,000VAC for 60 seconds

Physical

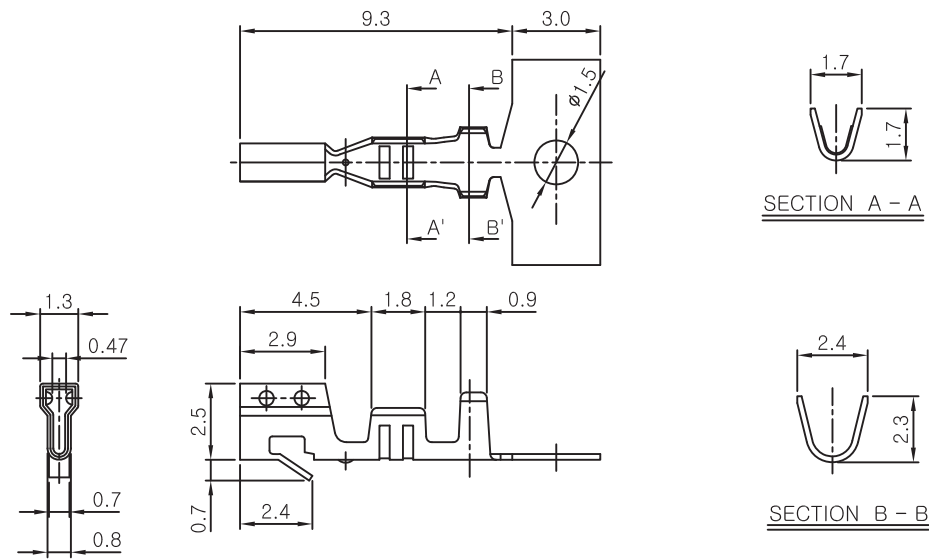
- Terminal : Phosphor Bronze Tin Plated
- Operating Temperature : -40 $^{\circ}$ C ~ +105 $^{\circ}$ C

Reference Information

- Applicable Wire : AWG#22~#28
- Use With : CH4A1-N Series
- Packing : Reel
- Designed In : Millimeters



Dimensions (For Reference Only)



Ordering Information And Dimensions

Order No.	Packing	Wire Gauge	Insulation Diameter	Contact Material
CT 4A1	15,000Pcs/Reel	AWG#22~#28	$\phi 1.9$ Max	Phosphor Bronze
	Loose			Tin Plated

2.5mm Pitch Wire to Board CH 4A2-N Crimp Terminal Housing

Features And Specifications

Electrical

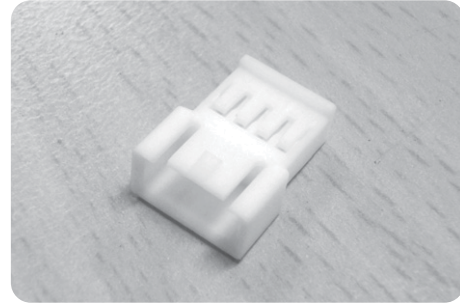
- Voltage Rating : 250VAC max
- Current Rating : 3A max
- Contact Resistance : 30m Ω max
- Insulation Resistance : 1,000M Ω min
- Dielectric Withstanding Voltage : 1,000VAC for 60 seconds

Physical

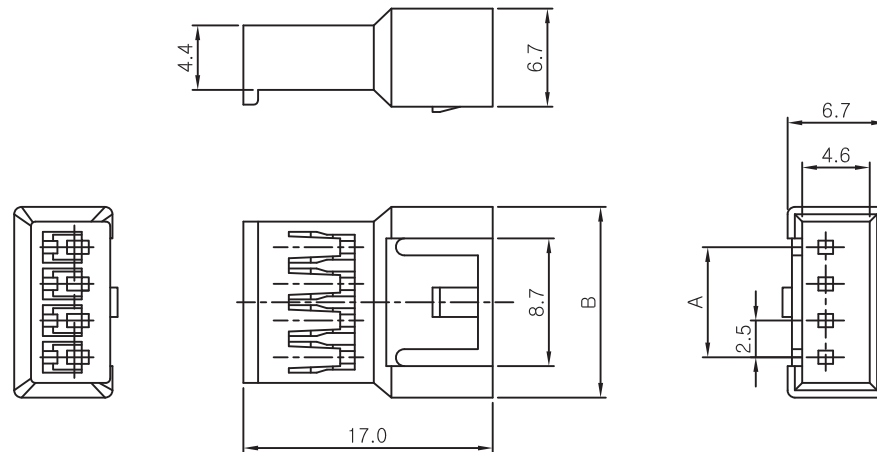
- Housing : Nylon66, UL94V Grade
- Operating Temperature : -40°C ~ +105°C

Reference Information

- Mates With : CH4A1-N Series
- Use With : CT4A2
- Packing : Bag
- Designed In : Millimeters



Dimensions (For Reference Only)



Ordering Information And Dimensions

CKT	MODEL NO.	A	B	CKT	MODEL NO.	A	B
4	CH4A2-04	7.5	13.0				

2.5mm Pitch Wire to Wire CT 4A2 Crimp Terminal

Features And Specifications

Electrical

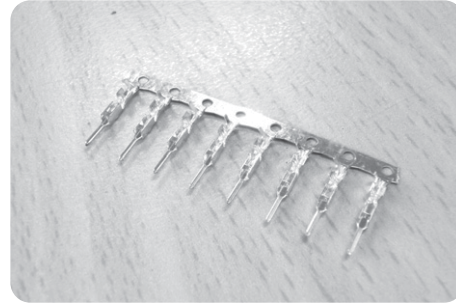
- Voltage Rating : 250VAC max
- Current Rating : 3A max
- Contact Resistance : 30m Ω max
- Insulation Resistance : 1,000M Ω min
- Dielectric Withstanding Voltage : 1,000VAC for 60 seconds

Physical

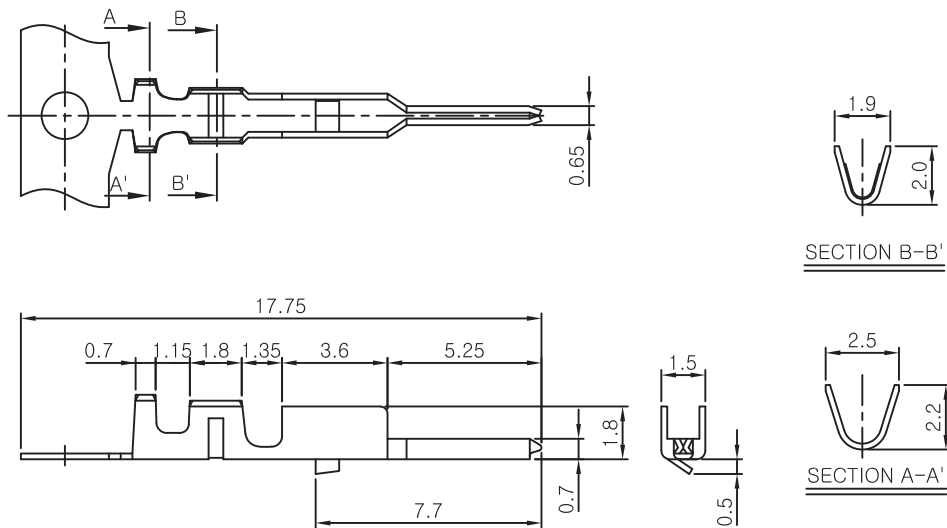
- Terminal : Phosphor Bronze Tin Plated
- Operating Temperature : -40°C ~ +105°C

Reference Information

- Applicable Wire : AWG#22~#28
- Use With : CH4A2-N Series
- Packing : Reel
- Designed In : Millimeters



Dimensions (For Reference Only)



Ordering Information And Dimensions

Order No.	Packing	Wire Gauge	Insulation Diameter	Contact Material
CT 4A2	15,000Pcs/Reel	AWG#22~#28	ϕ 1.9Max	Phosphor Bronze
	Loose			Tin Plated

2.5mm Pitch Board In BH 0640-N Crimp Terminal Housing

Features And Specifications

Electrical

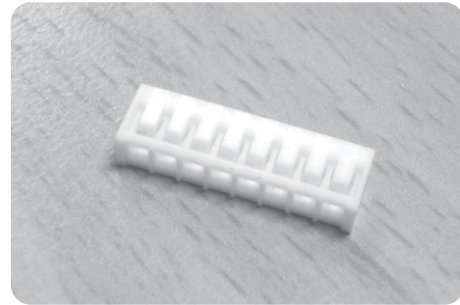
- Voltage Rating : 250VAC max
- Current Rating : 3A max
- Contact Resistance : 30m Ω max
- Insulation Resistance : 1,000M Ω min
- Dielectric Withstanding Voltage : 1000VAC for 60 seconds

Physical

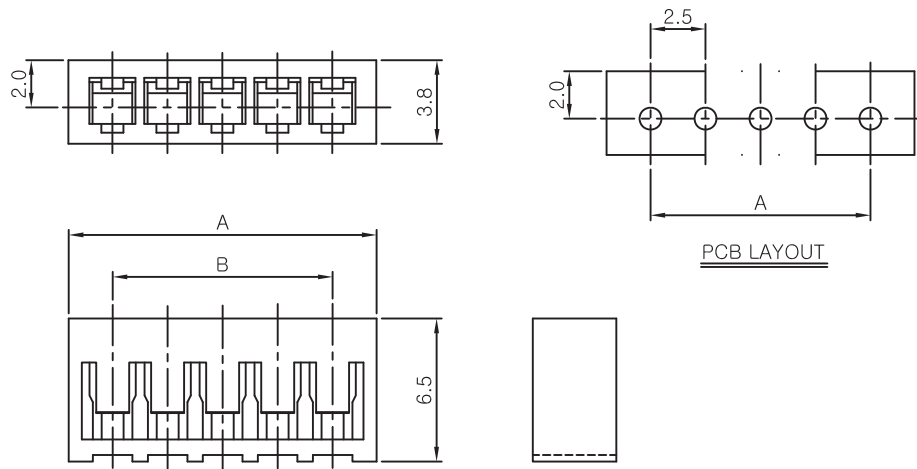
- Housing : Nylon66, UL94V Grade
- Operating Temperature : -40°C ~ +105°C

Reference Information

- Use With : BT0640
- Packing : Bag
- UL File No. : E92854
- Designed In : Millimeters



Dimensions (For Reference Only)



Ordering Information And Dimensions

CKT	MODEL NO.	A	B	CKT	MODEL NO.	A	B
2	BH0640-02	6.5	2.5	9	BH0640-09	24.0	20.0
3	BH0640-03	9.0	5.0	10	BH0640-10	26.5	22.5
4	BH0640-04	11.5	7.5	11	BH0640-11	29.0	25.0
5	BH0640-05	14.0	10.0	12	BH0640-12	31.5	27.5
6	BH0640-06	16.5	12.5	13	BH0640-13	34.0	30.0
7	BH0640-07	19.0	15.0	14	BH0640-14	36.5	32.5
8	BH0640-08	21.5	17.5	15	BH0640-15	39.0	35.0

2.5mm Pitch Board In BT 0640 Board In Type Crimp Terminal

Features And Specifications

Electrical

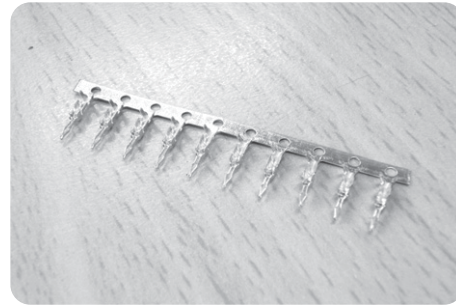
- Voltage Rating : 250VAC max
- Current Rating : 3A max
- Contact Resistance : 30m Ω max
- Insulation Resistance : 1,000M Ω min
- Dielectric Withstanding Voltage : 1,000VAC for 60 seconds

Physical

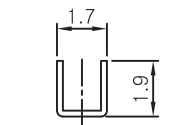
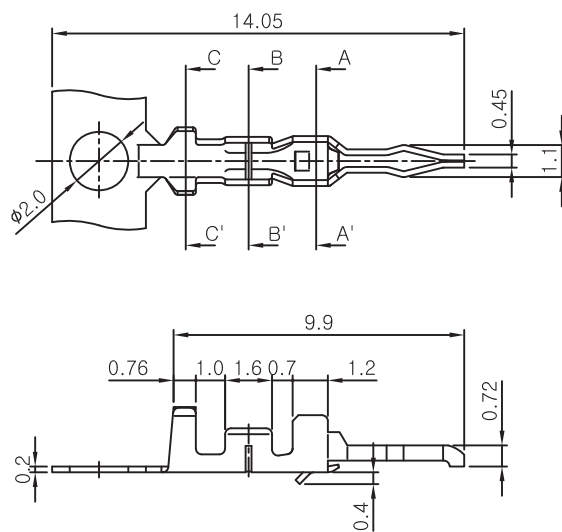
- Terminal : Tin Plated Brass
- Operating Temperature : -40°C ~ +105°C

Reference Information

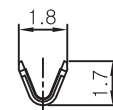
- Applicable Wire : AWG#22~#28
- Use With : BH0640-N Series
- Packing : Reel
- Designed In : Millimeters



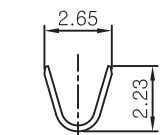
Dimensions (For Reference Only)



SECTION A - A



SECTION B - B



SECTION C - C

Ordering Information And Dimensions

Order No.	Packing	Wire Gauge	Insulation Diameter	Contact Material
BT0640	15,000Pcs/Reel	AWG#22~#28	ϕ 1.9Max	Tin Plated Brass
	Loose			