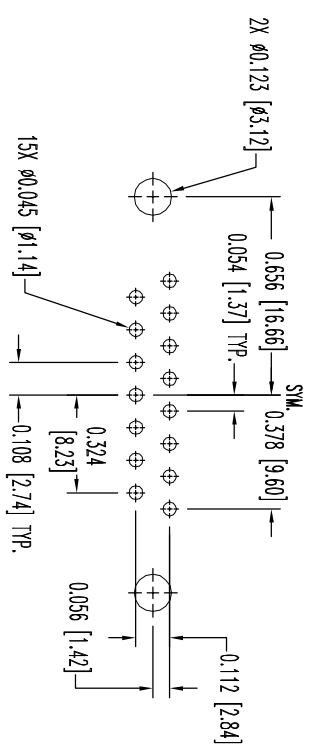
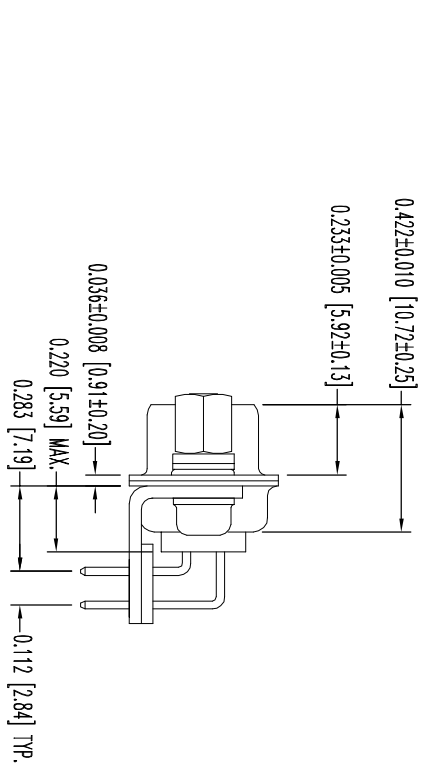
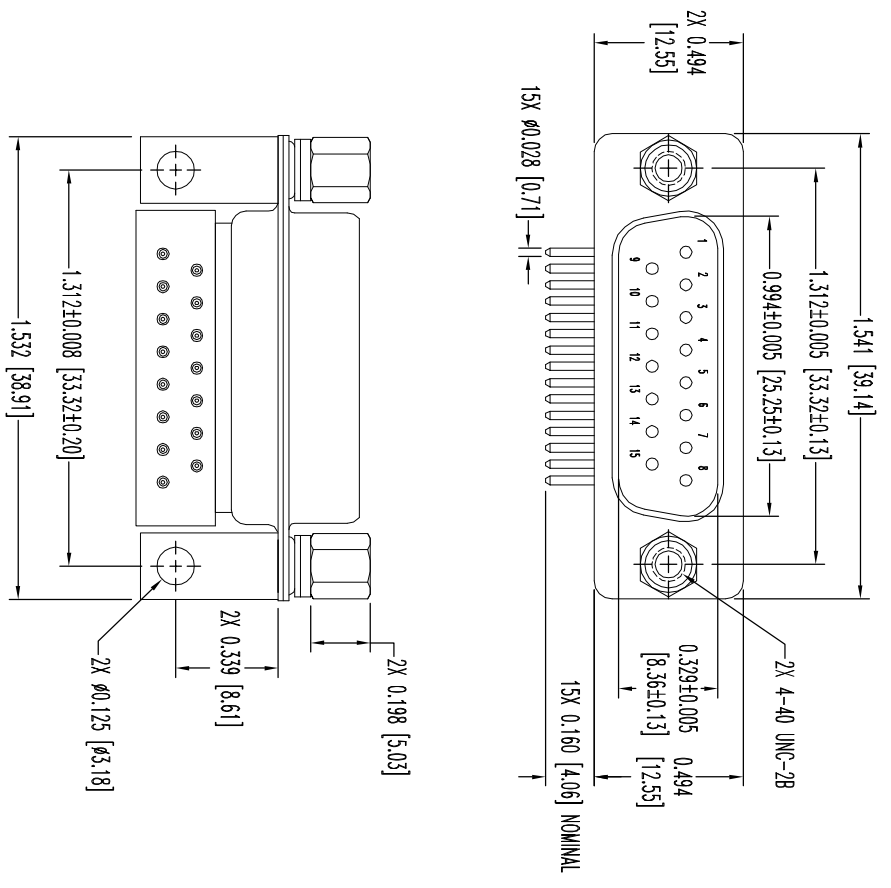


THIS DRAWING CONTAINS INFORMATION PROPRIETARY TO CONNECT POSITRONIC, AND ITS SUBSIDIARIES. PERMISSION IS GRANTED TO THE USER TO REPRODUCE THIS DRAWING FOR HIS OWN TECHNICAL INFORMATION IS GIVEN FREE OF CHARGE. THE USER BURNER ASSUMES NO RESPONSIBILITY FOR THE RISK OF INJURY OR DAMAGE TO HIS PERSON OR SUCH INFORMATION IN WHOLE OR IN PART.



CONTACT HOLE PATTERN

- NOTES:
1. MATERIALS AND FINISHES:
INSULATOR: GLASS FILLED DAP PER ASTM D3948, SFG-F, U94V-0, GREEN COLOR.
CONTACTS: PRECISION MACHINED BRASS, GOLD FLASH OVER NICKEL PLATE.
SHELLS: STAINLESS STEEL, PASSIVATED.
JACKSCREWS: STEEL, ZINC PLATE AND CHROMATE SEAL.
MOUNTING BRACKETS: BRASS, ZINC PLATE WITH CHROMATE SEAL.
CLUNCH NUTS: STAINLESS STEEL, PASSIVATED.
WASHERS: STAINLESS STEEL, PASSIVATED.
ALIGNMENT BAR: GLASS FILLED POLYESTER, COLOR BLACK.
 2. DETAILED PRODUCT, ELECTRICAL, AND MECHANICAL INFORMATION IS AVAILABLE IN THE LATEST STANDARD DENSITY D-SUB PRODUCT PUBLICATION. VISIT CONNECTPOSITRONIC.COM/PRODUCTS/45/STANDARDENSITYD-SUBMINIATURE OR CONNECTPOSITRONIC.COM.
 3. DIMENSIONS ARE IN INCHES [MILLIMETERS].



POSITRONIC INDUSTRIES INC.
www.connectpositronic.com FSC® 28198

ANGULAR TOL. ± 5°	DECIMAL TOL. ± 0.015 [0.38]	HDC SERIES	SCALE N.T.S.	DRAWN BY C. Vasquez	DATE 1-5-15	DRAWING NUMBER SK16854	REV. NC
TITLE		HDC15MR80T2S		APPROVED BY COLB			

DATE	REV	REVISION RECORD	APP	DR	CK
1-5	NC	ECO 45422	COLB	CV	CP

SK16854