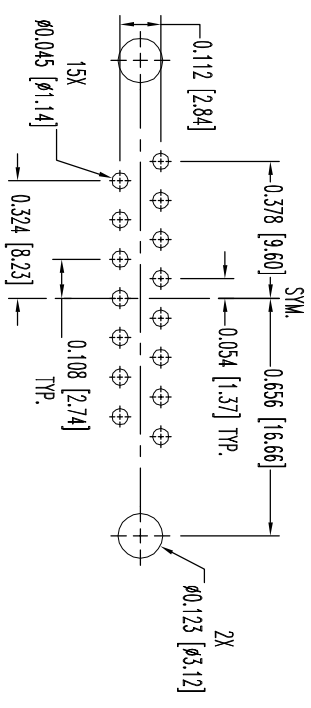
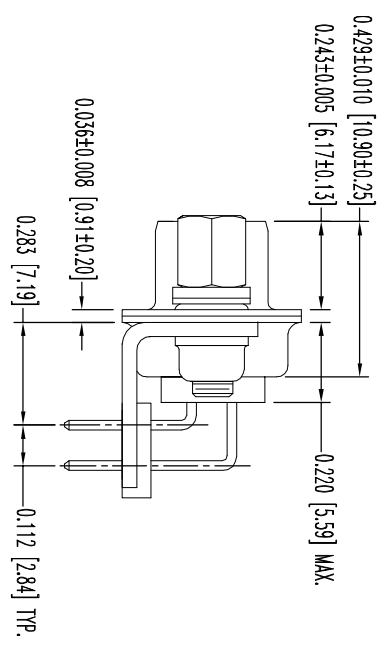
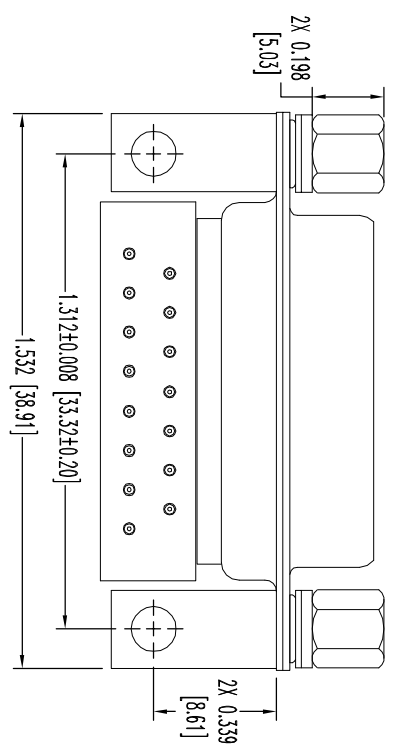
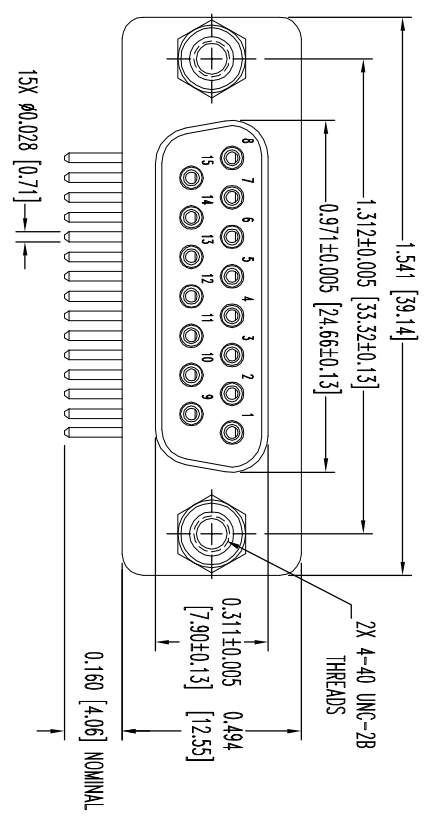


THIS DRAWING CONTAINS INFORMATION PROPRIETARY TO CONNECTPOSTRONIC, INC. AND ITS SUBSIDIARIES. CONNECTPOSTRONIC BELIEVES THAT THE INFORMATION CONTAINED HEREIN IS UNPUBLISHED AND PROPRIETARY. TECHNICAL INFORMATION IS GIVEN FREE OF CHARGE. THE USER BURNER'S SUCH INFORMATION AT HIS OWN DISCRETION. CONNECTPOSTRONIC, INC. ASSUMES NO LIABILITY FOR RESIN OR OTHER DAMAGE OR DAMAGES INCURRED FROM USE OF SUCH INFORMATION IN WHOLE OR IN PART.

SK16855

DATE	REV	REVISION RECORD	APP	DR	CK
1-5	NC	ECO 45422	COLB	CV	CP



CONTACT HOLE PATTERN

- NOTES:
- MATERIALS AND FINISHES:
 INSULATOR: GLASS FILLED DAP PER ASTM D5948, SDG-F, U94W-0, GREEN COLOR.
 CONTACTS: PRECISION MACHINED BRASS, GOLD FLASH OVER NICKEL PLATE.
 SHELLS: STAINLESS STEEL, PASSIVATED.
 JACKSCREWS: STEEL, ZINC PLATE AND CHROMATE SEAL.
 MOUNTING BRACKETS: BRASS, ZINC PLATE WITH CHROMATE SEAL.
 CLINCH NUTS: STAINLESS STEEL, PASSIVATED.
 WASHERS: STAINLESS STEEL, PASSIVATED.
 ALIGNMENT BAR: GLASS FILLED POLYESTER, COLOR BLACK.
 DETAILED PRODUCT, ELECTRICAL, AND MECHANICAL INFORMATION IS AVAILABLE IN THE LATEST STANDARD DENSITY D-SUB PRODUCT PUBLICATION. VISIT CONNECTPOSTRONIC.COM/PRODUCTS/45/STANDARDENSITYD-SUBMINIATURE OR CONNECTPOSTRONIC.COM.
 - DIMENSIONS ARE IN INCHES [MILLIMETERS].



POSTRONIC INDUSTRIES INC.
www.connectpostronic.com
 FSC# 28198

DECIMAL TOL. ± 0.015 [0.38]	SCALE N.T.S.	DRAWN BY C. Vasquez
ANGULAR TOL. ± 5°	TITLE HDC SERIES	APPROVED BY COLB
DATE 1-5-15	DRAWING NUMBER SK16855	REV. NC