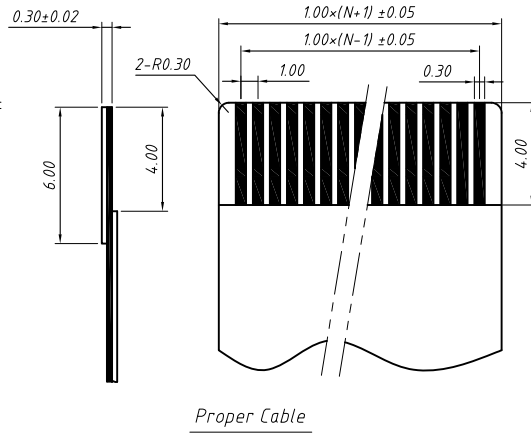
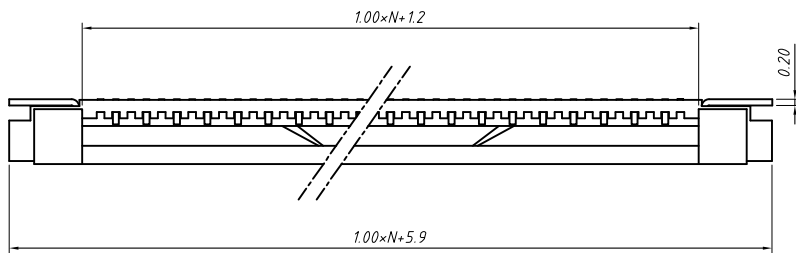


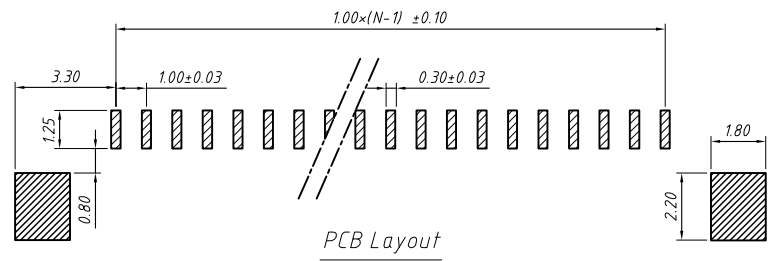
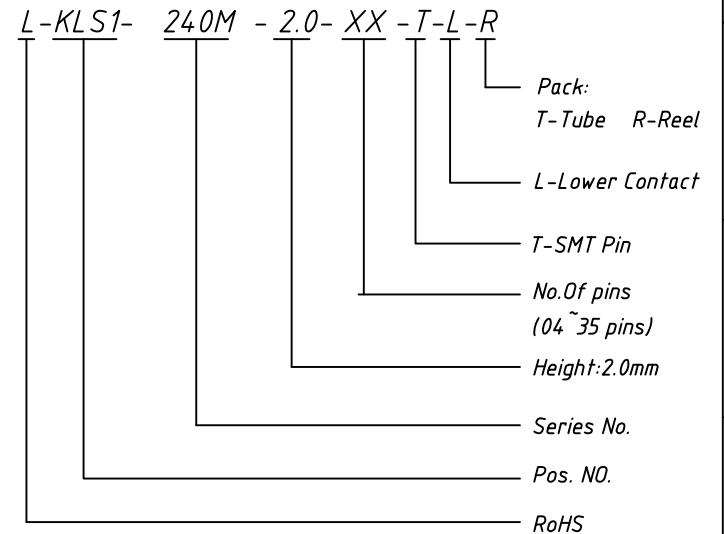
Material
 Housing: LCP UL 94V-0
 Lock: LCP UL 94V-0
 Plug spring: Phosphor Bronze, Gold/Tin
 Soldering: Phosphor Bronze, Gold/Tin

Electrical
 Voltage rating: 50 V
 Current rating: 0.4 A
 Withstanding Voltage: 200 V
 Insulation resistance: 500M Ω .Min.
 Contact resistance: 20 m Ω .max.

Mechanical
 Temp. Range: -20 °C ~ +85 °C



Order Information



GENERAL TOLERANCE	ANGLE TOLERANCE	PROJECTION	Description:
.X ±0.15	.X ±5°	UNITS	CONN FFC 1.00mm, SMD, Horizontal, Lower Contact, with ZIF L-KLS1-240M-2.0-XX-T-L-R
.X ±0.03	.X ±3°	SHEET SIZE	
.XX ±0.05	.XX ±2°	KLS P/N:	

Draw by: Date	2018-03-10
Check by: Date	2018-03-10
SCALE	SHEET OF