

NINGBO KLS ELECTRONIC CO; LTD

SPECIFICATION		MODEL NO.	L-KLS3-MS-3605-R8W1.5	P2/6
PRODUCE DATE	2022.05.10	A版		
1. TEST CONDITION (测试条件) Unless otherwise specified, The standard of range atmospheric conditions for making measurements and tests as follows (无特定要求时如下述测试条件): 17°C~25°C, 45%~85%RH, 860HPA~1060HPA. If there is no doubt about results, measurement shall be made with in the following limits. (当判断有疑问的场合如下述测试条件): 20°C±3°C, 60%~70%RH, 860HPA~1060HPA.				
2. SPECIFICATION OF SPEAKER MODE (喇叭模式规格)				
2.1	Rated IMPEDANCE 额定阻抗	8Ω±15%	At 1.0KHz 1000mV	
2.2	RESONANCE FREQUENCY 最低共振周波数	700±20%Hz	At 1000mV	
2.3	Rated Power 额定功率	2.0W	At 4.0V	
2.4	MAX POWER 最大功率	2.5W	At 4.4 V	
2.5	Outerput S. P. L 出力音压	90±3dB at 0.1W/0.1M	At 600. 800. 1000. 1200. 1500Hz average	
2.6	Frequency response curve 实效频宽	F0 ~ 5KHz	Deviation -10db from average S. P. L	
2.7	Rub& Buzz 异常音检查	should not be audible buzz and rattle (无异常声音)	Sine WAVE(正弦波入力) at 4.0V /300 ~ 5.0kHz	
2.8	Dostortion 失真	≤5%THD	at 1kHz 0.5W	
2.9	Polarity 极性	When a positive D. C current is applied to the voice coil terminal marked +, the diaphragm shall move forward. (端子板的正极通入电流, 振膜向前运动)		
2.1	Magnet Size 磁铁	NdFeB		
2.11	Net Weight 重量	9.2g±10%		

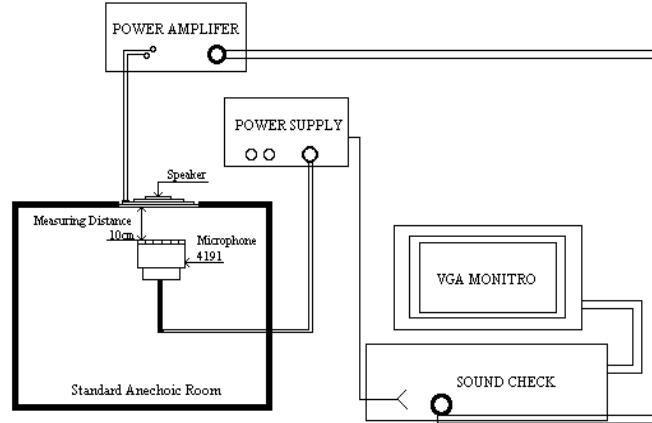
NINGBO KLS ELECTRONIC CO; LTD

SPECIFICATION			MODEL NO.	L-KLS3-MS-3605-R8W1.5	P3/6
PRODUCE DATE	2022.05.10	A版			
3.ENVIRONMENTIAL CHARACTERISTICS (信赖性试验)					
3.1	High temperature test 耐热试验	+ 60±3°C duration 48 hours ,then removal back to normal temperature for 2 hours (+60±3°C, 48小时实验后, 常温放置2小时)			
3.2	LOW temperature test 低温实验	- 25±3°C duration 48 hours ,then removal back to normal temperature for 2 hours (-25±3°C 48小时实验后, 常温放置2小时)			
3.3	Humidity test 耐湿试验	Temperature +40±3°C, relative humidity 90~95%, duration 48 hours ,then removal back to normal temperature for 2 hours (温度+40±3°C, 相对湿度90~95%, 48小时实验后, 常温放置2小时)			
3.4	Load test 连续负荷试验	The products shall not be no sound/Buzz&Rattle/different volume/exceptional diversification of frequency response curve in testing and after testing process for a continuous working of 96H at a rated 2.0W white noise 。 2.0W的白噪声下连续工作96H, 测试中和试验后不能出现任何无声/杂音/音量大小不均/频率响应曲线等异常变化。			
3.5	Temperature cycle test 温度周期试验	Temperature: -20°C ±3°C to +60°C ±3°C, Duration : 2 hours 2 minutes Cycl : 2cycle (温度-20°C ±3°C 2小时转高温+60°C ±3°C 2小时为一周期共试验2周期)			
3.6	Drop test 跌落试验	The speaker shall be dorp 5 times as shown in the figure and Cacophony must be normal (如图所示5次跌落实验后外观和声音无异常)			
3.7	In Sulation resistance 绝缘阻抗	A VOLTAGE OF 100V.d.c shall be applied for 1 min between a terminal and a frame ,after which measurement shall be made ,2MΩ OR MORE (D. C. 100V, 1分钟后端子与支架间2MΩ 以上)			
3.8	Vibration test 振动试验 (捆包状态)	10-55Hz/min Amplitude: 1.5mm Duration: 2hours each axes			
3.9	Operating temperature 动作温度	- 20°C TO+60°C			
3.10	Storage temperature 储存温度	- 25°C TO+60°C			

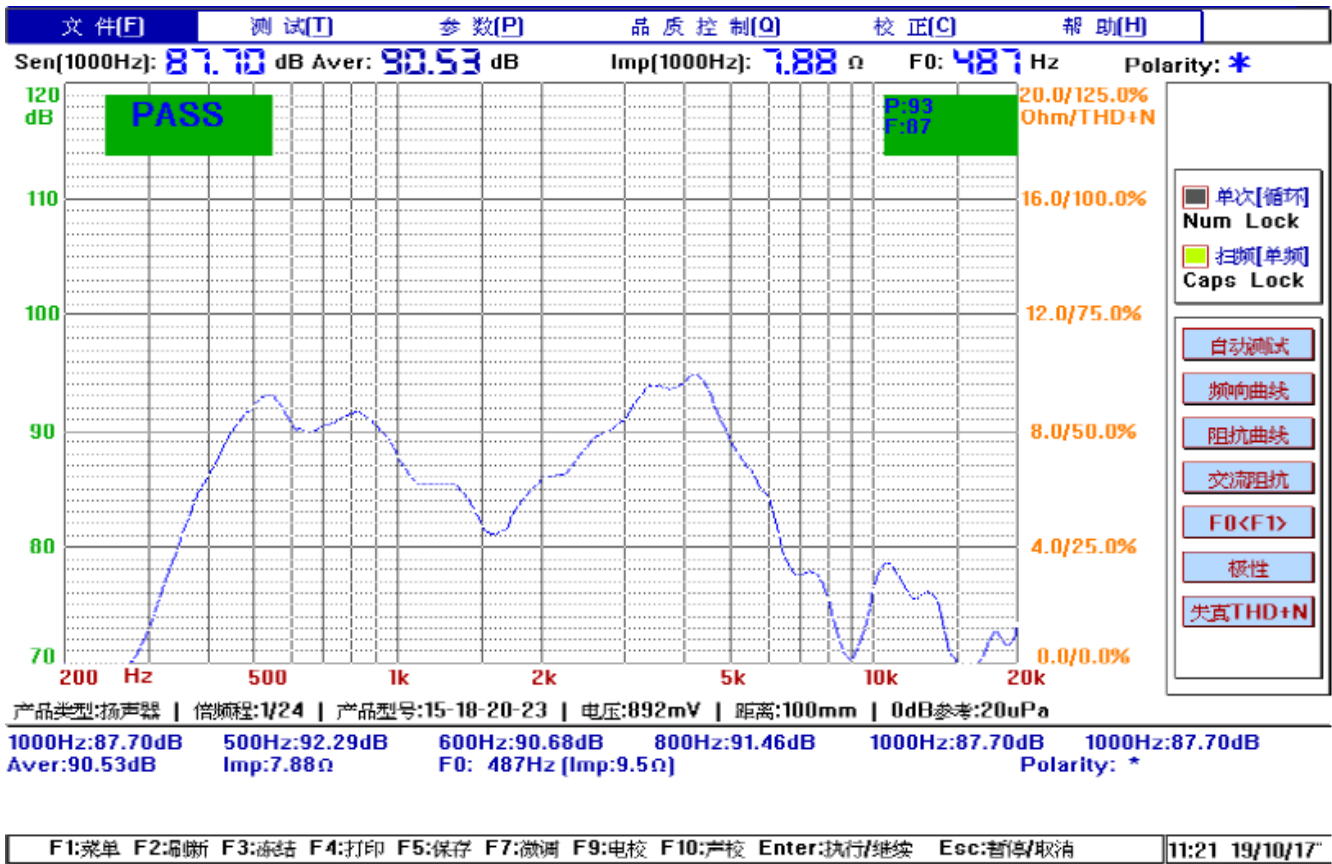
NINGBO KLS ELECTRONIC CO; LTD

SPECIFICATION		MODEL NO.	L-KLS3-MS-3605-R8W1.5	P4/6
PRODUCE DATE	2022.05.10	A版		

MEASURING CIRCUIT (SPEAKER)
测试回路（喇叭模式）



FREQUENCY CURVE
频响曲线图标

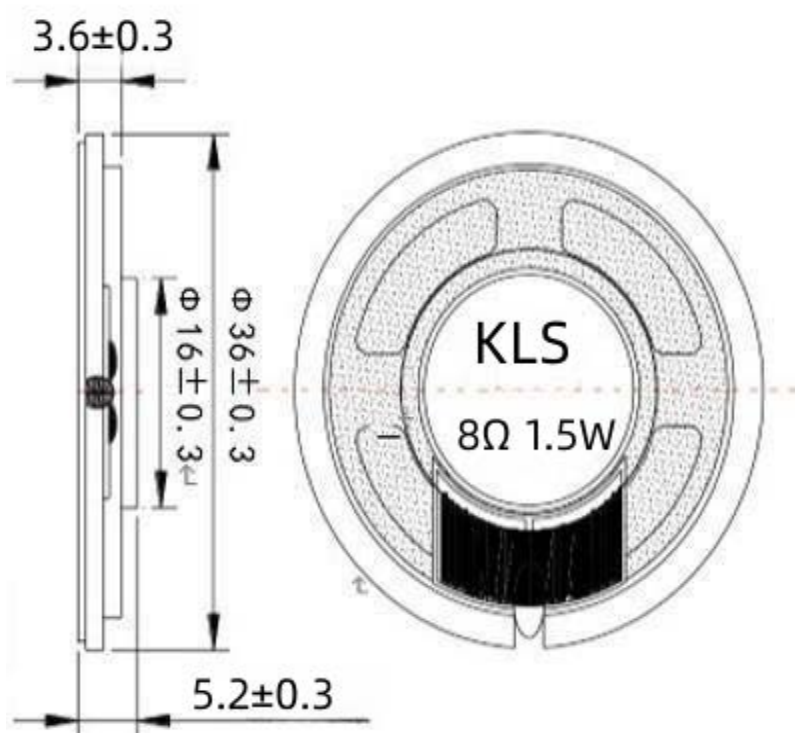


NINGBO KLS ELECTRONIC CO; LTD

SPECIFICATION		MODEL NO.	L-KLS3-MS-3605-R8W1.5	P5/6
PRODUCE DATE	2022.05.10	A版		

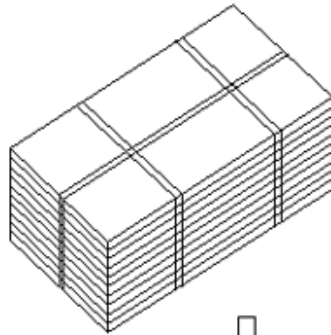
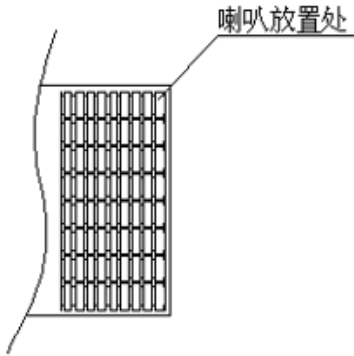
■ DIMENSIONS

Unless otherwise specified, tolerance: ± 0.5 (unit: mm)

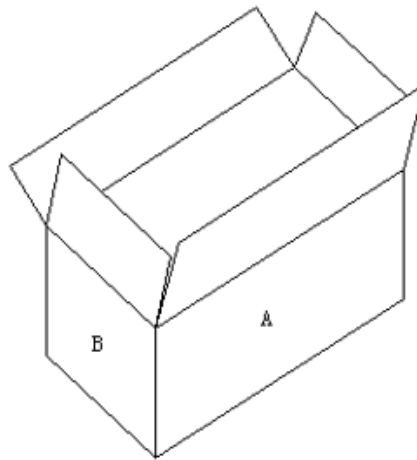


NINGBO KLS ELECTRONIC CO; LTD

SPECIFICATION			MODEL NO.	L-KLS3-MS-3605-R8W1.5	P6/6
PRODUCE DATE	2022.05.10	A版			



MODEL:	
QTY:	PCS
N. W.	KGS
G. W.	KGS
MBAS:	CM



- 注:
- 1.保丽龙 5PCS
 - 2.盖板 1PCS
 - 3.外箱 1PCS
 - 4.1000PCS/箱
 - 5.包装标签可根据客户要求定制