



APPROVAL SHEET
FOR
PIEZO BUZZER

深圳市銳創達電子有限公司

TAT ELECTRONICS CO. LTD.

CUSTOMER:

PART NUMBER: BP1470B-0940

CUSTOMER PART NO.:

CUSTOMER	APPROVED	CHECKED
SIGNECTURE (Customer)	SIGNECTURE (Company)	

Add: 4F/C, JING HE YUAN INDUSTRIAL PARK, BAN XUE GANG ROAD,
BANTIAN VILLAGE, SHENZHEN CITY, GUANGDONG CHINA
深圳市龙岗区布吉坂田坂雪岗大道景和源科技园 C 栋 4 楼

Tel:+86-755-8950 9282, 8950 9880, 2109 3136;

Fax:+86-755-6135 1661

Email: tatspeaker@tatelec.com;

[Http:// www.tatelec.com](http://www.tatelec.com)



Specification for Piezoelectric Ceramic Buzzer (Pin Type)		Update/09B10	Page 2 of 5
		Des.	Chk.
Model No.:	BP1470B-0940	Li YanFei	Jiang Yin
		1/2/2019	1/2/2019

2. Technical Parameter Measuring condition

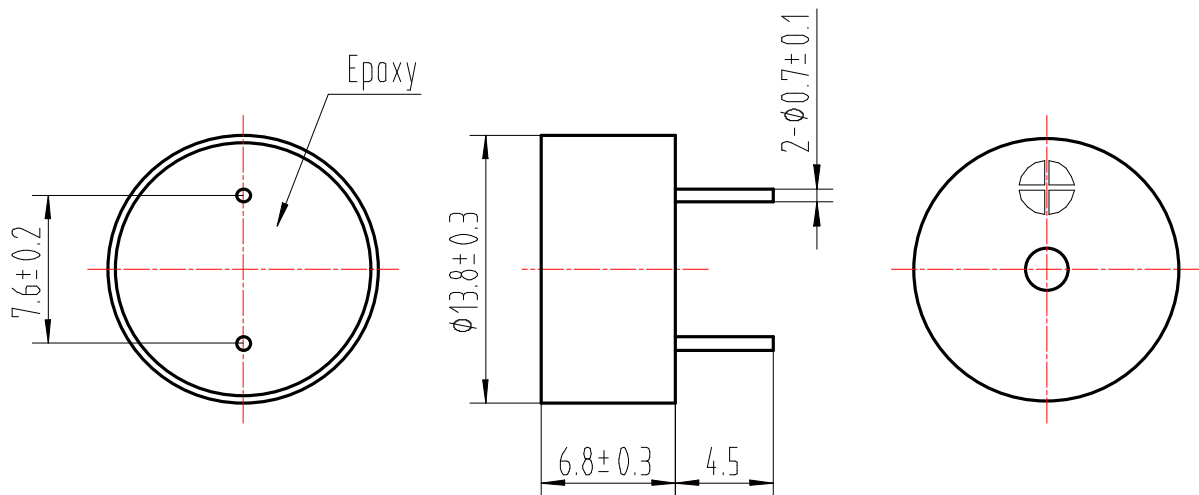
Part shall be measured under a condition (Temperature: 5~35°C, Humidity: 45% ~ 85%R.H., Atmospheric pressure: 860 ~ 1060hPa) unless the standard condition (Temperature: 25±3°C, Humidity: 60±10%R.H. Atmospheric pressure: 860 ~1060hPa) is regulated to measure.



1	Resonant Frequency	4000 ± 500Hz
2	Operating Voltage	1~30 Vp-p
3	Rated Current	Max.5mA , At 4KHz 50% duty Square Wave 9Vp-p
4	Sound Output at 10cm	Min. 90dB, At 4KHz 50% duty Square Wave 9Vp-p
5	Capacitance	12000 ± 30% pF At 1KHz
6	Operating Temperature	-20°C ~ +70°C
7	Store Temperature	-30°C ~ +80°C
8	Net Weight	Approx 0.5g
9	ROHS	Yes

3. Dimensions

Unit: mm



*Unit: mm; Tolerance: ± 0.5mm Except Specified

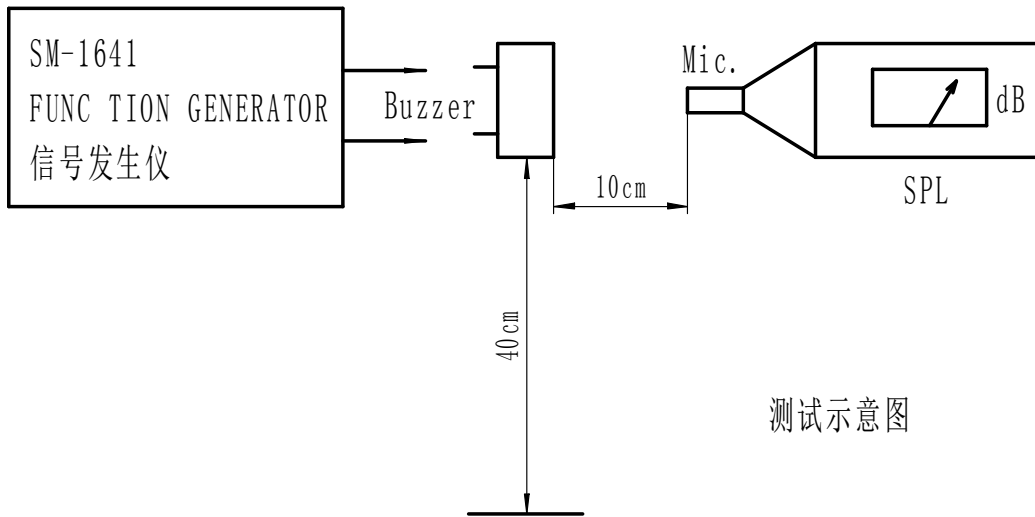
*Housing Material: Black PBT



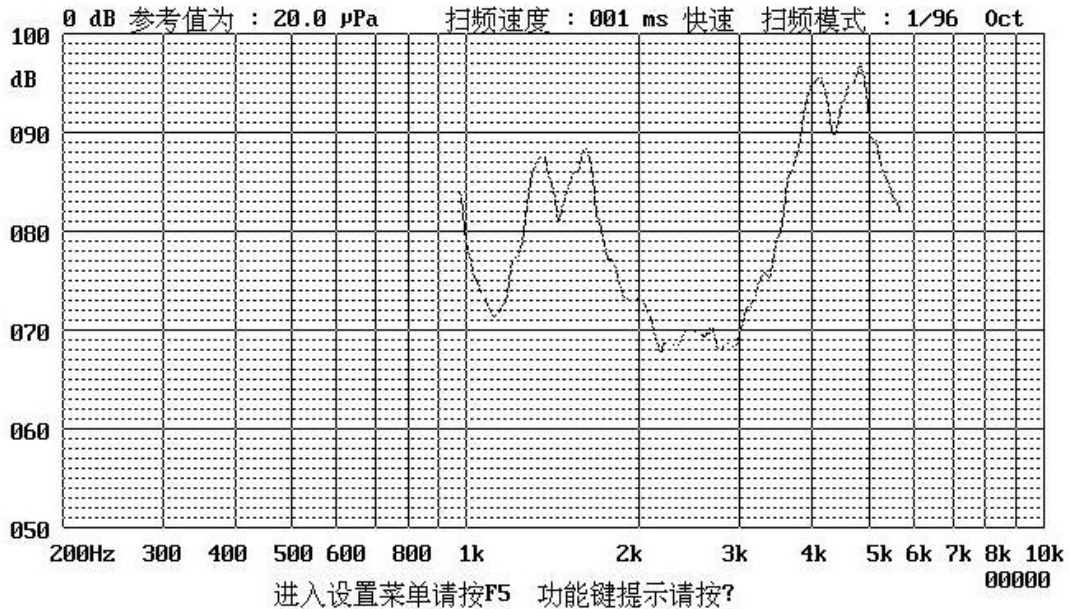
Specification for Piezoelectric Ceramic Buzzer (Pin Type)		Update/09B10	Page 3 of 5
		Des.	Chk.
Model No.:	BP1470B-0940	Li YanFei	Jiang Yin
		1/2/2019	1/2/2019

4. Electrical And Acoustical Measuring Condition

Recommended Setting



5. Frequency Response



9Vp-p 50% duty Square wave, 10cm



Specification for Piezoelectric Ceramic Buzzer (Pin Type)		Update/09B10	Page 4 of 5
		Des.	Chk.
Model No.:	BP1470B-0940	Li YanFei	Jiang Yin
		1/2/2019	1/2/2019

6. Reliability Test

After any following tests the part shall meet specifications without any degradation in appearance and performance except SPL. SPL shall not deviate more than -5 dB from the initial value

a) Ordinary Temperature Life Test

The part shall be subjected to 96 hours at $25 \pm 10^\circ\text{C}$. Input rated voltage Resonant frequency, 1/2 duty Square wave.

b) High Temperature Test

The part shall be capable of with standing a storage temperature of $+80^\circ\text{C}$ for 96 hours.

c) Low Temperature Test

The part shall be capable of with standing a storage temperature of -30°C for 96 hours.

d) Humidity Test

Temperature: $+40^\circ\text{C} \pm 3^\circ\text{C}$ Relative Humidity:90%~95% Duration: 48 hours and expose to room temperature for 6 hours

e) Temperature Shock Test

Temperature: $60^\circ\text{C} /1\text{hour} \rightarrow 25^\circ\text{C}/3\text{hours} \rightarrow -20^\circ\text{C}/1\text{hour} \rightarrow 25^\circ\text{C}/3\text{hours}$ (1cycle)

Total cycle: 10 cycles

f) Drop Test

Standard Packaging From 75cm(Drop on hard wood or board of 5cm thick, three sides, six plain.)

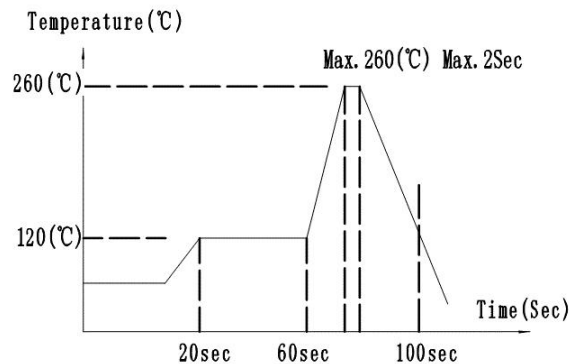
g) Vibration Test

Vibration:1000cycles /min. Amplitude:1.5mm, Duration: 1 hour in each 3 axes

Note:

As this product is not protected from foreign material entering, please make sure that any foreign materials (e.g. magnetic powder, washing solvent, flux, corrosive gas) do not enter this product in your production processes. The functional degradation (e.g. SPL down) may occur if foreign material enter it.

7. Recommended the wave soldering temperature





Specification for Piezoelectric Ceramic Buzzer (Pin Type)		Update/09B10	Page 5 of 5
		Des.	Chk.
Model No.:	BP1470B-0940	Li YanFei	Jiang Yin
		1/2/2019	1/2/2019

8. Packing

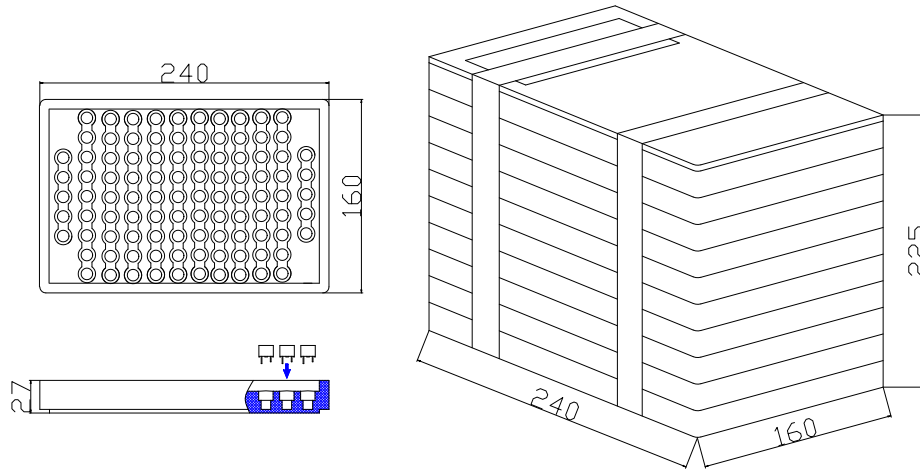


Fig.1

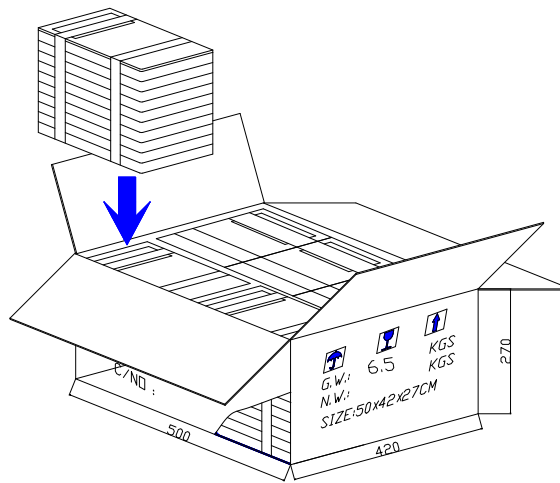


Fig.2

	包装名称	包装数量(pcs)	包装尺寸(mm)
1	泡沫盒	100	240×160×24
2	一叠	1000	240×160×225
3	箱子	5000	500×420×270