

PRELIMINARY SPECIFICATIONS SHEET

MYLAR SPEAKER
P/N: MSI30-P19125

**DESCRIPTION: D30x20mm, H5.1mm Mylar speaker, 1W, 650Hz, 80hm,
RoHS Compliance (Directive 2002/95/EC)**

VERSION: 01

DATE: 7-Nov-2019

REVISIONS

VERSION	DESCRIPTION	DATE
01	Released from engineering	7-Nov-2019

APPROVED BY :

CUSTOMER NAME :

DATE :

PRELIMINARY SPECIFICATIONS SHEET

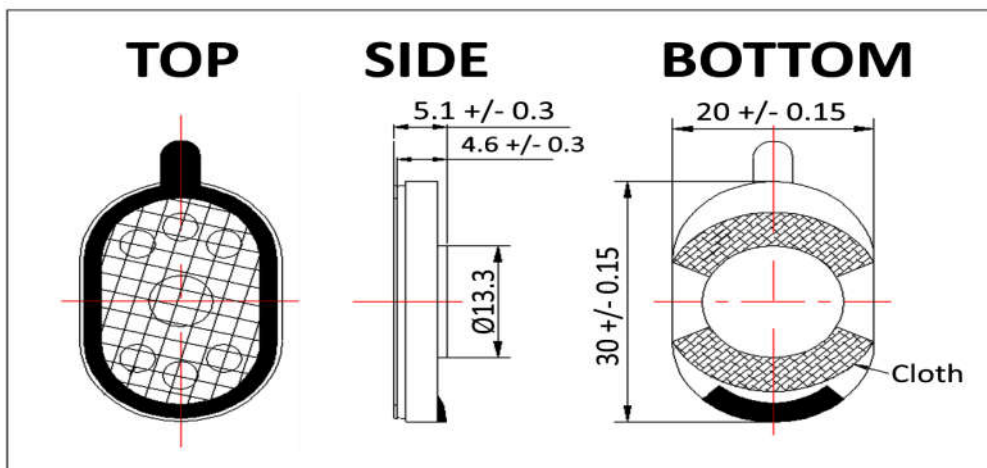
MYLAR SPEAKER
 P/N: MSI30-P19125

1. SPECIFICATIONS

PARAMETERS	VALUES	UNITS
*SOUND PRESSURE LEVEL	91 ± 3	dBA
RESONANCE FREQUENCY	650 ± 20%	Hz
FREQUENCY RANGE	Fo – 20,000	Hz
RATED IMPEDANCE	8 ± 15%	Ohm
RATED POWER	1.00	W
MAX POWER	1.50	W
OPERATING TEMPERATURE	-20 to +60	°C
STORAGE TEMPERATURE	-30 to +70	°C
DISTORTION AT 1KHZ AT RATED POWER	<5%	-
MAGNET	Φ9.5*1.5mm NdFeB	-
DIAPHRAGM MATERIAL	MYLAR	-
FRAME MATERIAL	PLASTIC	-

*Tested at 0.1W 0.1m average 1.0K 1.2K 1.5K 2.0KHz

2. DIMENSIONS (unit in mm)



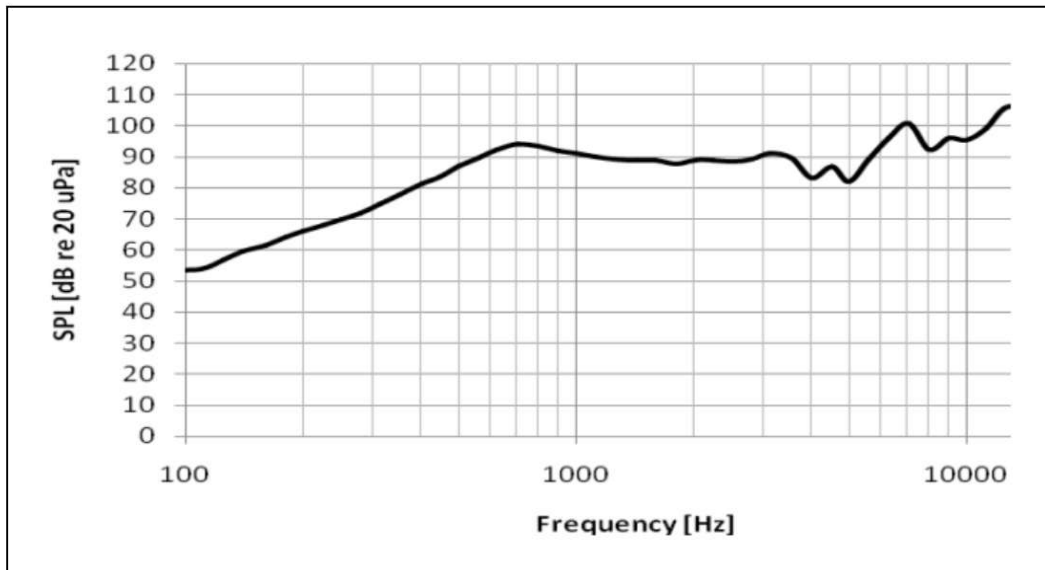
Tolerance: ±0.5mm except specified

VERSION: 01

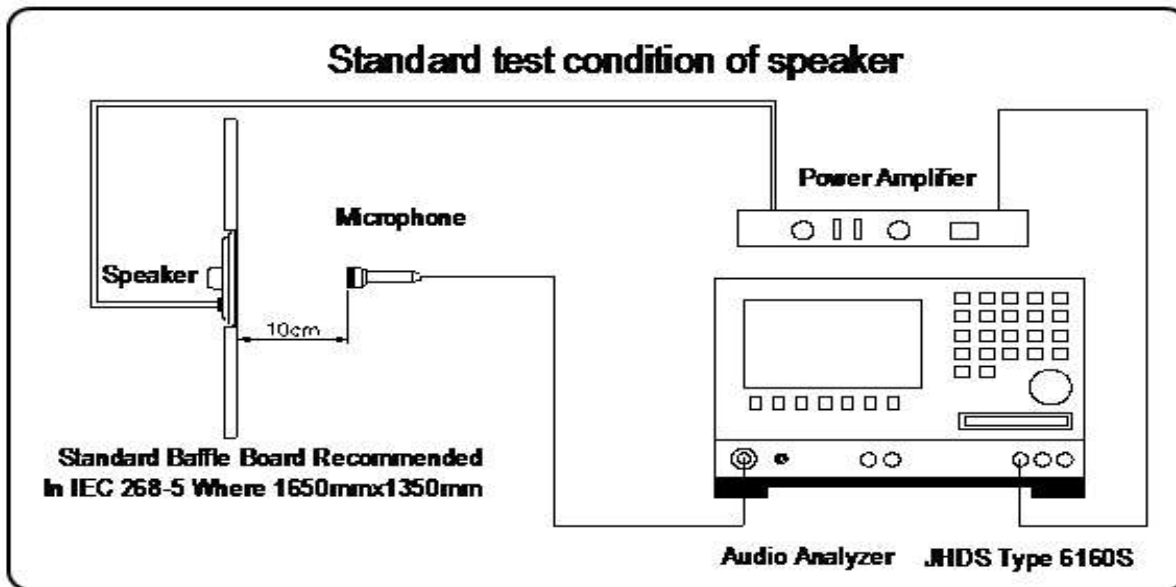
DATE: 7-Nov-19

All specifications subject to change without notice

3. FREQUENCY RESPONSE CURVE



4. MEASURING CONDITION



VERSION: 01
 DATE: 7-Nov-19

All specifications subject to change without notice