

SPECIFICATIONS FOR APPROVAL

Axial Fan

Model: 15050B2HL

AC230V 50/60Hz 0.26/0.24A

Lead Wire

Shenzhen YYC Motor Ltd

ADD: 4th Floor, D Building, Wanda Industrial Zone,
Zhoushi Road, Shiyan Town, Baoan District, Shenzhen,

Guangdong Province, China PC: 518108

TEL: 86-755-27656330 27656878

FAX: 86-755-27648519

Http: // www.szbestfan.com

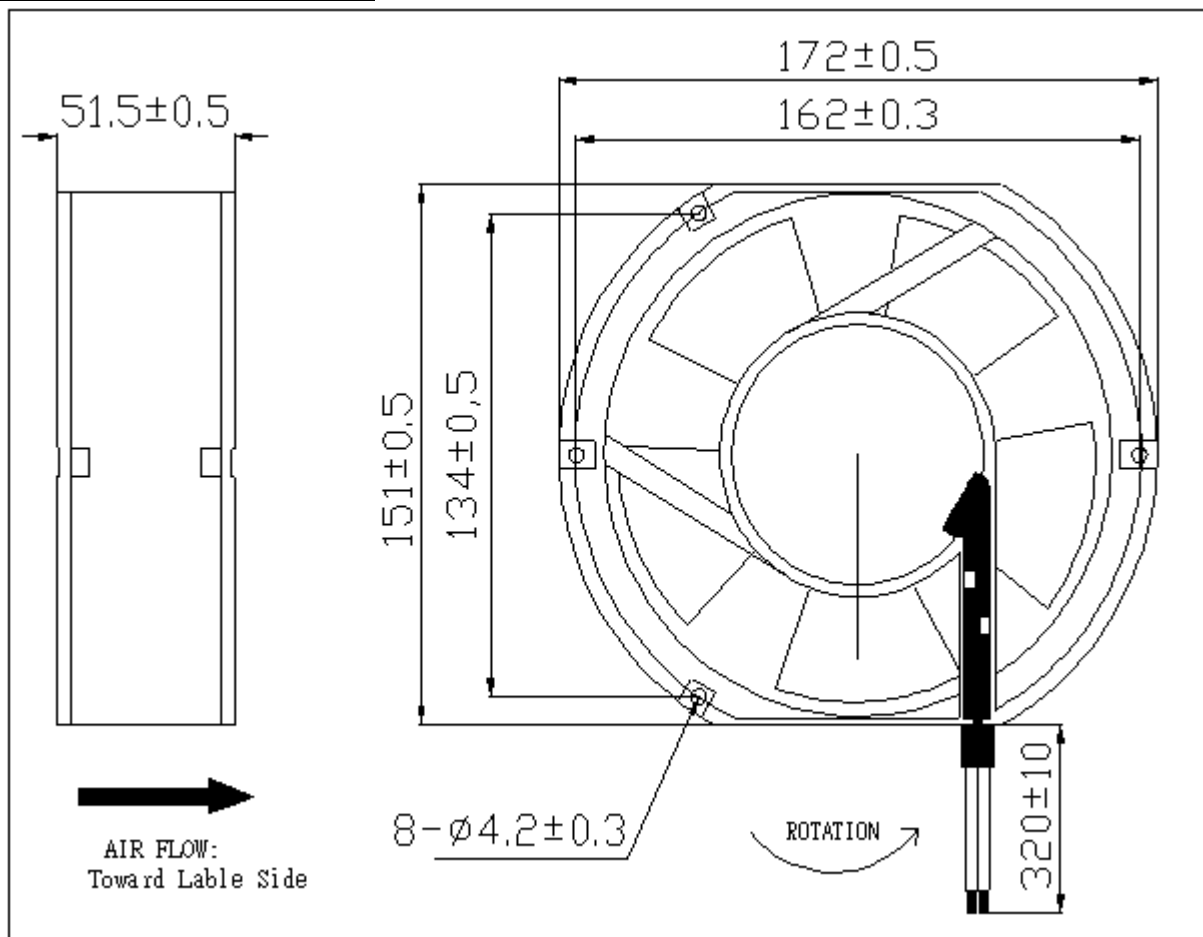
DATA SHEET
 Engineering Dept
 AC TUBE AXIAL FAN

NO.: YYC2019101301

Customer	:	Ref:	
Model No.	:	15050B2HL	
Samples attached	:		
SPECIFICATION			
<u>Item</u>		<u>Specification/Condition</u>	
Dimension	:	Φ172x150x51 mm	
Bearing System	:	BALL BEARING	
Rated Voltage	:	230 VAC 50/60Hz	
Operating Voltage	:	200 VAC—240 VAC	
Start-up Voltage	:	160 VAC NORMALLY	
Rated Current	:	0.26/0.24 ±10%Amp NORMALLY	
Rated Power	:	39/ 39 ±10%W NORMALLY	
Rated Speed	:	2700/2800 RPM±10%	
Air Flow	:	4.70/4.82 m ³ /min (166/170 CFM)	
Static Air Pressure	:	11.4/8.0mmH ₂ O	
Noise Level	:	55/55 dBA	
Motor Protection Type	:	BY IMPEDANCE	
Life Expectance	:	50,000 Hours at Room Temperature	
Operation Temperature	:	-20°C to +70°C	
Net Weight	:	880 Grams	
Packing	:	20 Pcs Per Export Carton	
Shenzhen YYC Motor Ltd	Model No.: 15050B2HL		
	Approved By:	Checked By:	Prepared By:

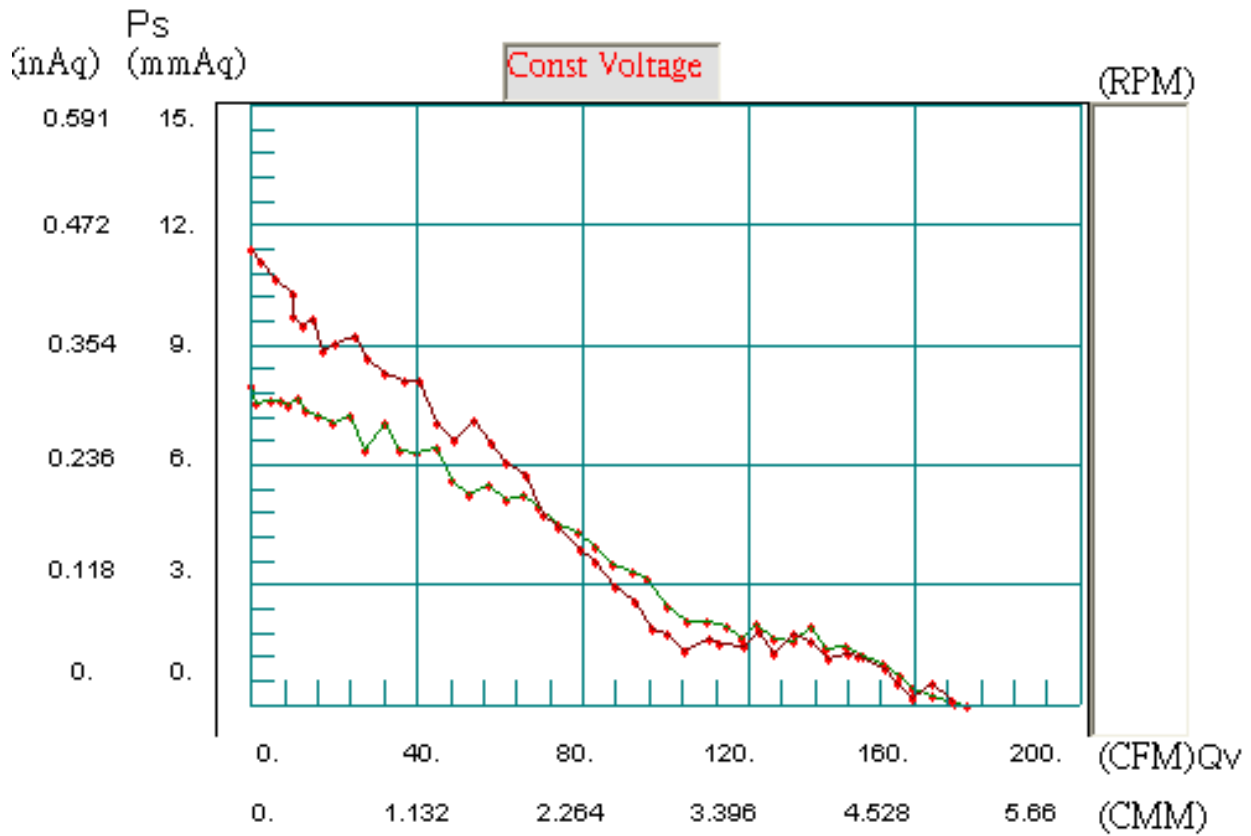
MATERIAL

1. Impeller : Thermoplastic PBT
2. Bobbin : Thermoplastic PA66
3. Lead Wire : UL 1015 AWG#20 300mm—BLACK
4. Die-cast aluminum housing

DIMENSIONS: MM

Shenzhen YYC Motor Ltd

Performance Curve



Shenzhen YYC Motor Ltd