

# **SPECIFICATIONS FOR APPROVAL**

**Axial Fan**

**Model: 12038B2HL**

**AC230V 50/60Hz 0.12/0.11A**

**Lead Wire**

**Shenzhen YYC Motor Ltd**

ADD: 4th Floor, D Building, Wanda Industrial Zone,  
Zhoushi Road, Shiyan Town, Baoan District, Shenzhen,

Guangdong Province, China      PC: 518108

TEL: 86-755-27656330 27656878

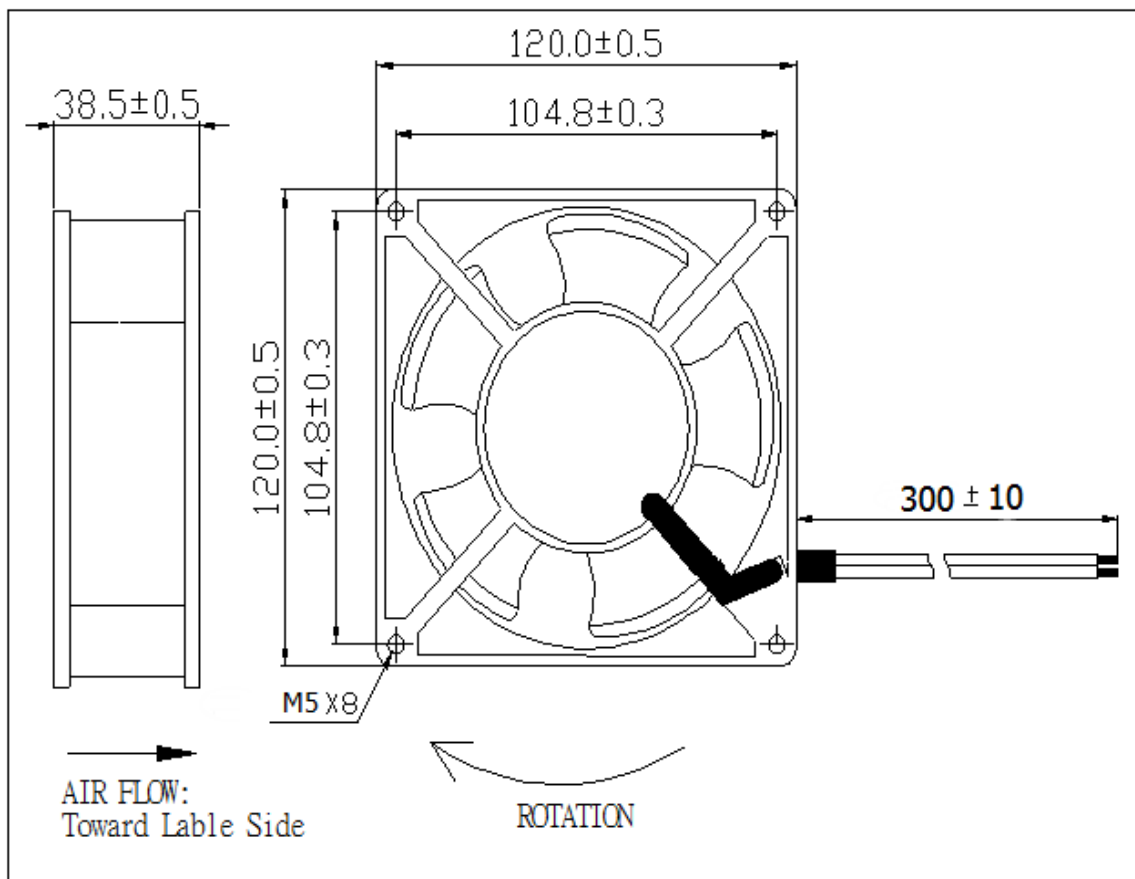
FAX: 86-755-27648519

Http: // [www.szbestfan.com](http://www.szbestfan.com)

Customer :	Ref:		
Model No. :	12038B2HL		
Samples attached :			
SPECIFICATION *****			
<u>Item</u>	<u>Specification/Condition</u>		
Dimension	: 120x120x38 mm		
Bearing System	: BALL BEARING		
Rated Voltage	: 230 VAC 50/60Hz		
Operating Voltage	: 200 VAC—240 VAC		
Start-up Voltage	: 160 VAC NORMALLY		
Rated Current	: 0.12/0.11±10% Amp NORMALLY		
Rated Power	: 20/18±10% Watt NORMALLY		
Rated Speed	: 2650/2950±10% RPM		
Air Flow	: 2.38/2.72 m <sup>3</sup> /min ( 84/96CFM )		
Static Air Pressure	: 7.5/7.8mmH <sub>2</sub> O		
Noise Level	: 43/47dBA		
Motor Protection Type	: BY IMPEDANCE		
Life Expectance	: 50000 Hours at Room Temperature		
Operation Temperature	: -20°C to +70°C		
Net Weight	: 480 Grams		
Packing	: 40 Pcs Per Export Carton		
Shenzhen YYC Motor Ltd	Model No.: 12038B2HL		
	Approved By:	Checked By:	Prepared By:

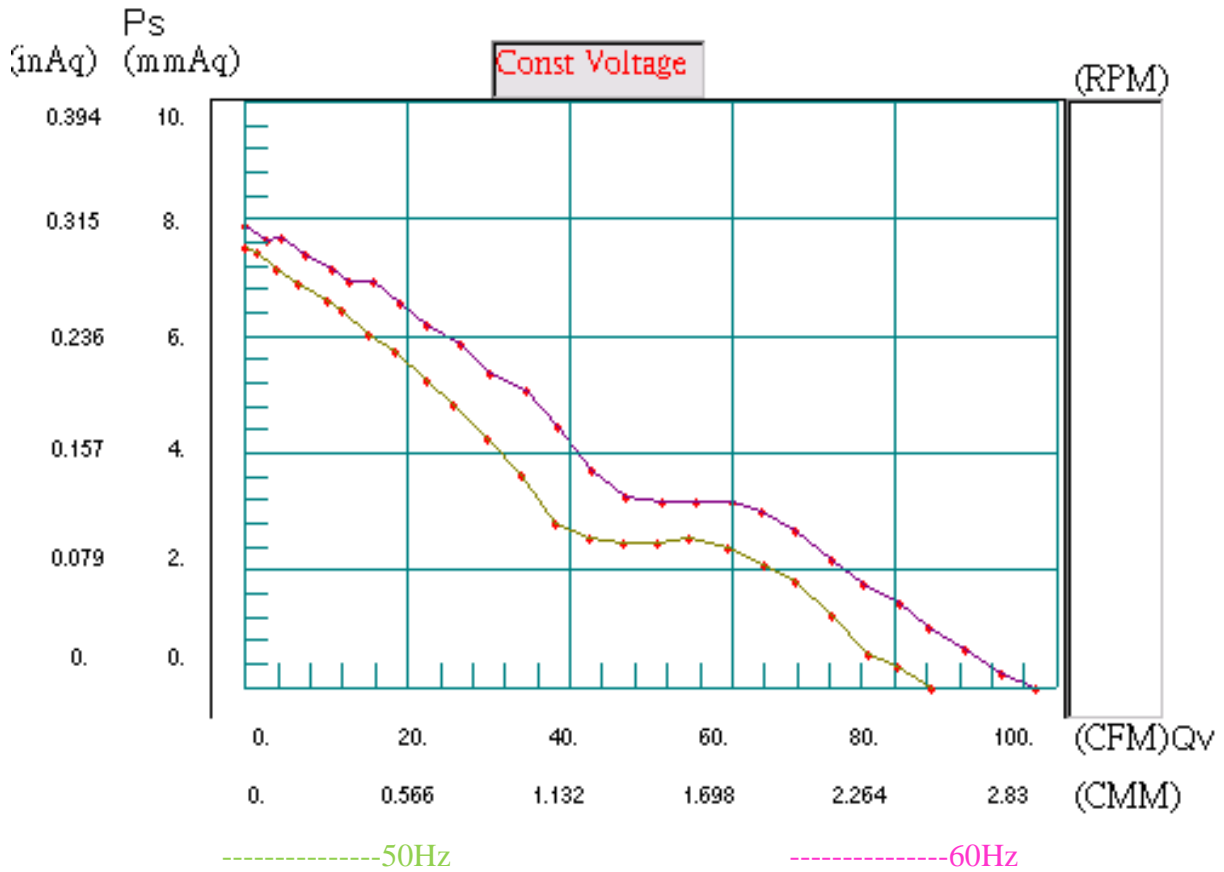
**MATERIAL**

- 1.Impeller : Thermoplastic PBT of UL 94V-0
- 2.Bobbin : Thermoplastic PA66 of UL 94V-0
- 3.Lead Wire : UL 1430 AWG#22
- 4.Housing: Die-cast aluminum

**DIMENSIONS: MM**

# Shenzhen YYC Motor Ltd

## Performance Curve



# Shenzhen YYC Motor Ltd