

SPECIFICATIONS FOR APPROVAL

Axial Fan

Model: 12038S2HL

AC230V 50/60Hz 0.12/0.11A

Lead Wire

Shenzhen YYC Motor Ltd

ADD: 4th Floor, D Building, Wanda Industrial Zone,
Zhoushi Road, Shiyan Town, Baoan District, Shenzhen,
Guangdong Province, China PC: 518108

TEL: 86-755-27656330 27656878

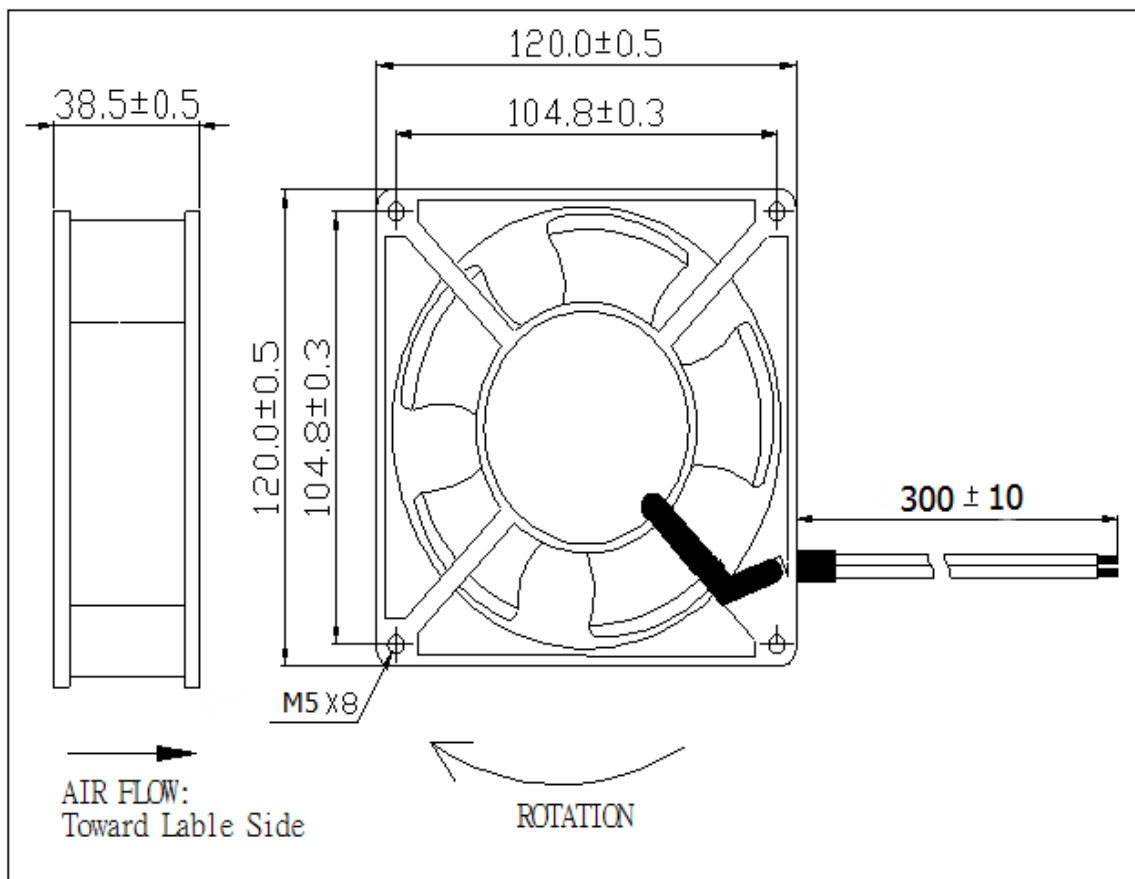
FAX: 86-755-27648519

Http: // www.szbestfan.com

Customer	:	Ref:		
Model No.	:	12038S2HL		
Samples attached	:			
SPECIFICATION *****				
<u>Item</u>		<u>Specification/Condition</u>		
Dimension	:	120x120x38	mm	
Bearing System	:	SLEEVE BEARING		
Rated Voltage	:	230 VAC	50/60Hz	
Operating Voltage	:	200 VAC—240 VAC		
Start-up Voltage	:	160 VAC	NORMALLY	
Rated Current	:	0.12/0.11±10%	Amp	NORMALLY
Rated Power	:	20/18±10%	Watt	NORMALLY
Rated Speed	:	2650/2900±10%	RPM	
Air Flow	:	2.38/2.72 m ³ /min	(84/96CFM)	
Static Air Pressure	:	7.5/7.8mmH ₂ O		
Noise Level	:	43/47dBA		
Motor Protection Type	:	BY IMPEDANCE		
Life Expectance	:	30000	Hours at Room Temperature	
Operation Temperature	:	-10℃	to +70℃	
Net Weight	:	480	Grams	
Packing	:	40	Pcs Per Export Carton	
Shenzhen YYC Motor Ltd	Model No.: 12038S2HL			
	Approved By:	Checked By:	Prepared By:	

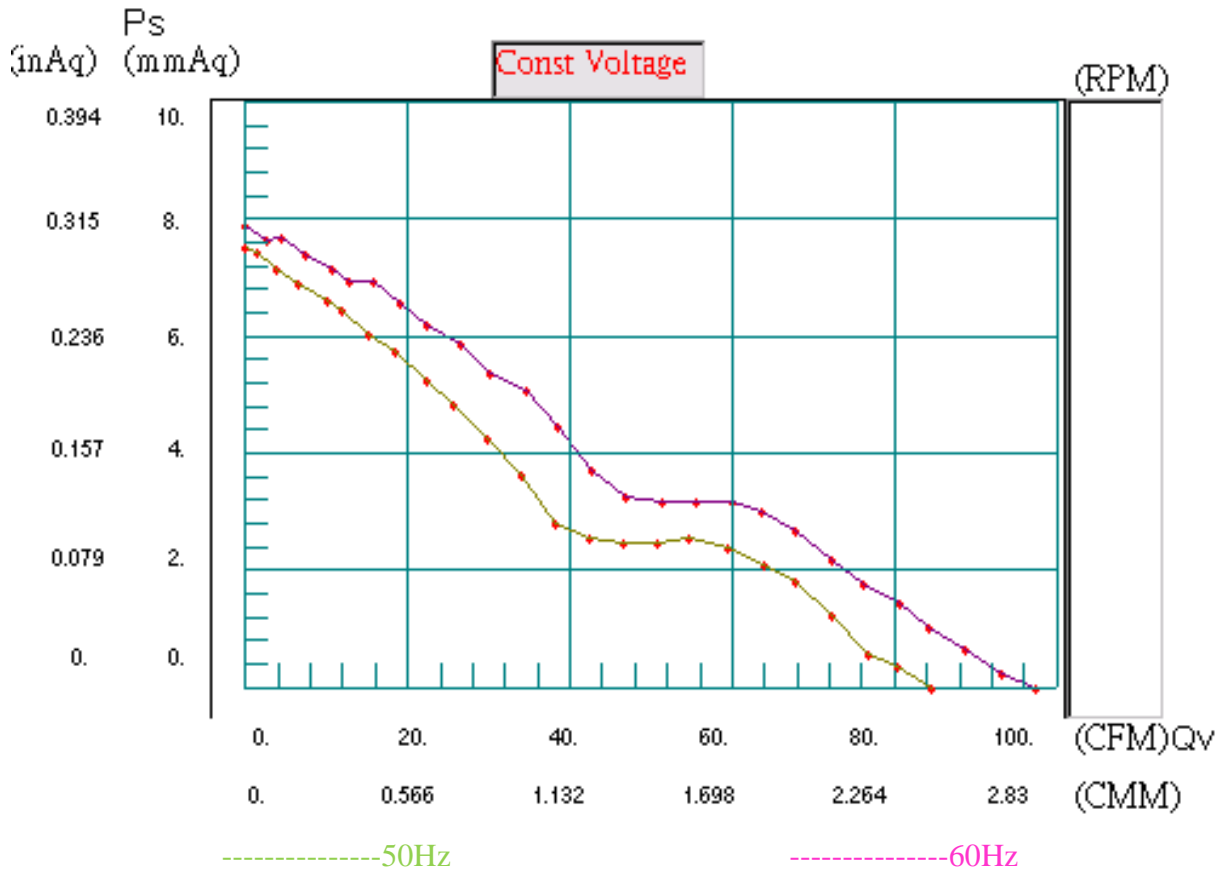
MATERIAL

1. Impeller : Thermoplastic PBT of UL 94V-0
2. Bobbin : Thermoplastic PA66 of UL 94V-0
3. Lead Wire : UL 1430 AWG#22
4. Housing: Die-cast aluminum

DIMENSIONS: MM

Shenzhen YYC Motor Ltd

Performance Curve



Shenzhen YYC Motor Ltd