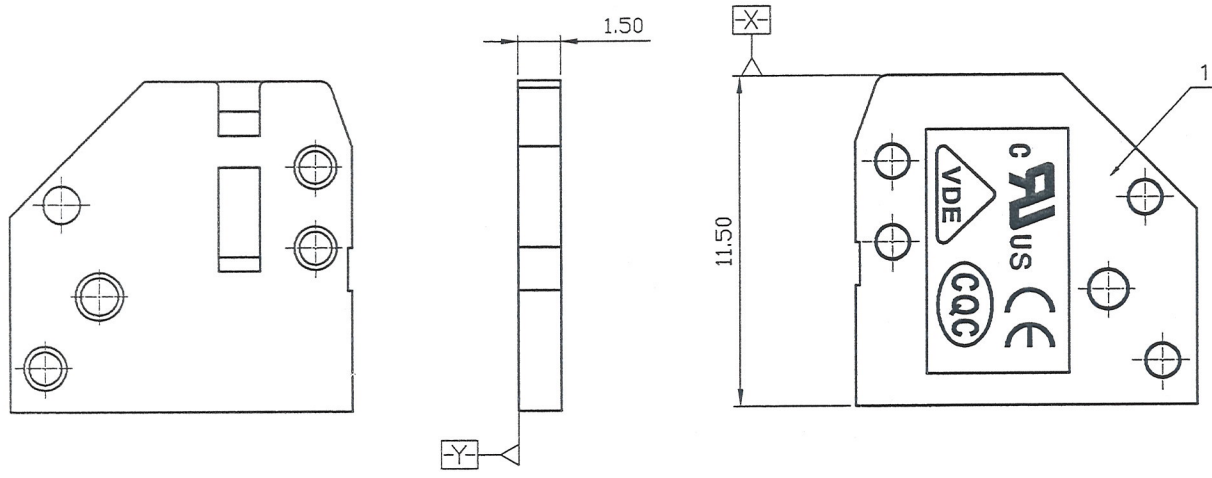


REVISION RECORD				
REV	ECN	DESCRIPTION	DRFT	DATE

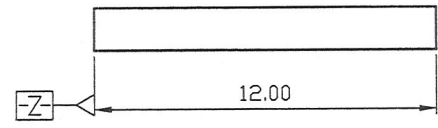


NOTES2:  
 1.Dimension shall be interpreted per ASME Y14.5-2009  
 2.Operating temperature: -40°C~+105°C  
 3.Undimensioned tolerances:

Pitch range in mm			Nominal dimension range in mm				∩	∇
TO	Over TO	Over TO	TO	Over TO	Over TO	Over TO	0.1/10	
6	10	24	30	60	100	150	∠	
±0.15	±0.20	±0.30	±0.30	±0.50	±0.70	±1.00	±1.30	±2'

4.RoHS Compliance

DG250 - 3.5 - 01P - 1Y - 00A (H) COVER  
 (Series No.) (Pitch) (Poles) (Single Pitch) (Color): 1.(Grey)  
 2.(Blue)  
 3.(Black)  
 4.(Green)  
 5.(Orange)  
 6.(Red)  
 7.(Transparent)  
 8.(Yellow)  
 9.(White)



ITEM	NAME OF PART	MATERIAL	NOTES
1	Cover	PA66	UL94V-0

PART NO.:		宁波高松电子有限公司 NINGBO DEGSON ELECTRICAL CO., LTD		
APPD:	NAME: DG250-3.5-01P-1Y-00A(H).COVER			
CHKD:	TITLE: CUSTOMER DRAWING			
DRFT: Xxd 2018.04.18	DRAWING NO.:	REV	TO	
	DG250-3.5-C962	SHEET	1/1	
THIRD ANGLE PROJECTION		MM (INCH)	DO NOT SCALE DRAWING	SCALE 1:1