

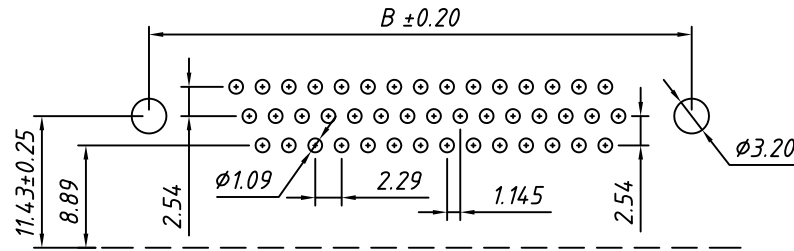
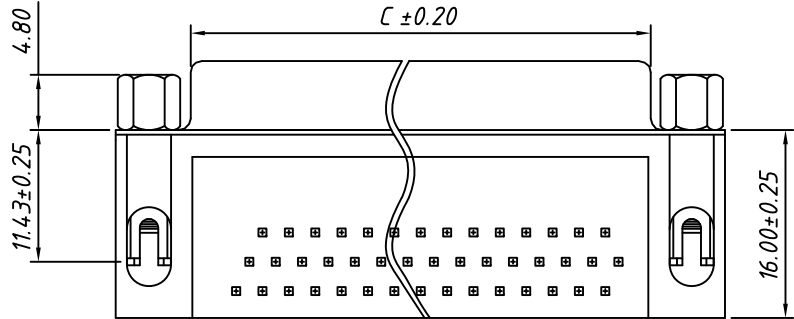
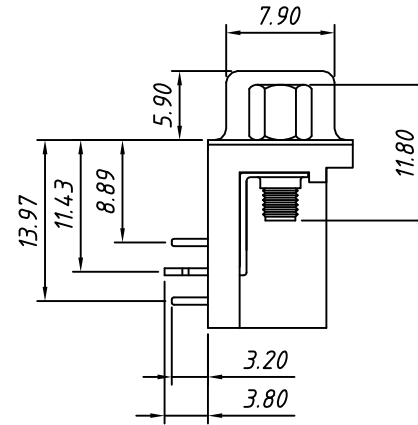
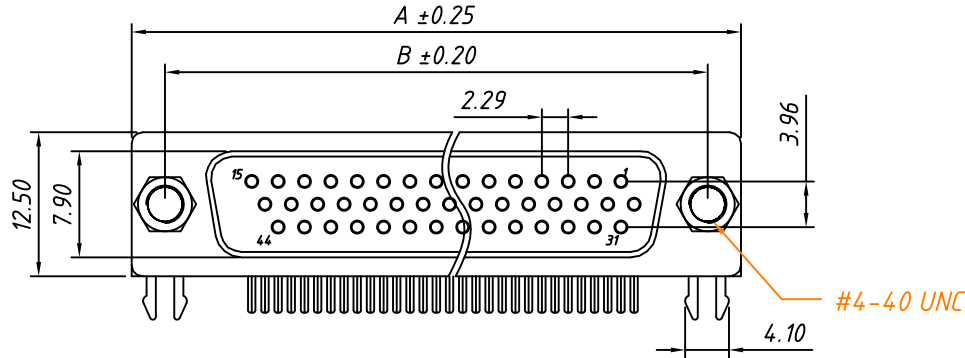
1 RoHS Compliant

Material:
 Housing: PBT+30% Glass filled, UL94V-0
 Contacts: Brass, Gold Plating.
 Shell: Steel, Nickel Plating

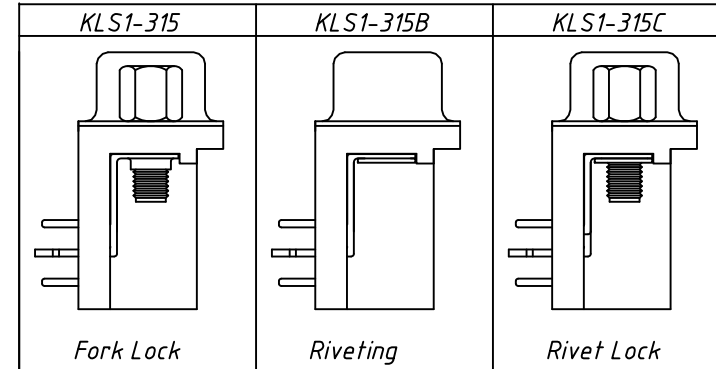
Electrical Characteristics:
 Current Rating: 5 AMP
 Insulator Resistance: 1000MΩ Min. at DC 500V
 Withstanding Voltage: 500V AC (rms) for 1 minute
 Contact Resistance: 20mΩ Max. Initial
 Operating Temperature: -55°C ~ +105°C

Order Information

L - KLS1 - 315 - XX - F - X
 RoHS
 D-SUB Connector,
 3 Row R/A Through Hole
 Number of Contacts
 Connector type: F-Female
 Housing Color: B-Black



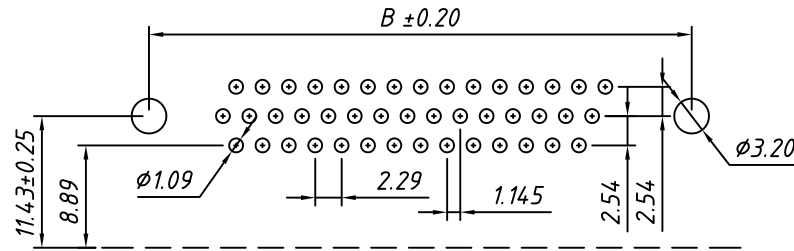
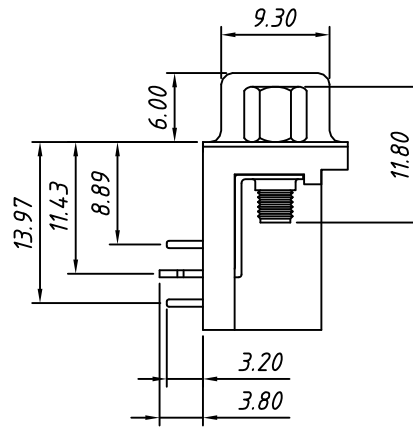
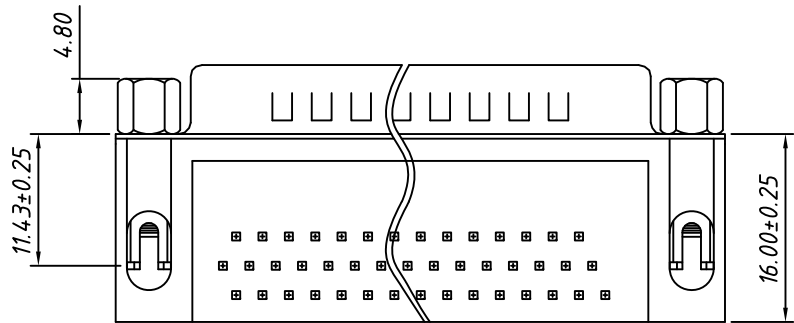
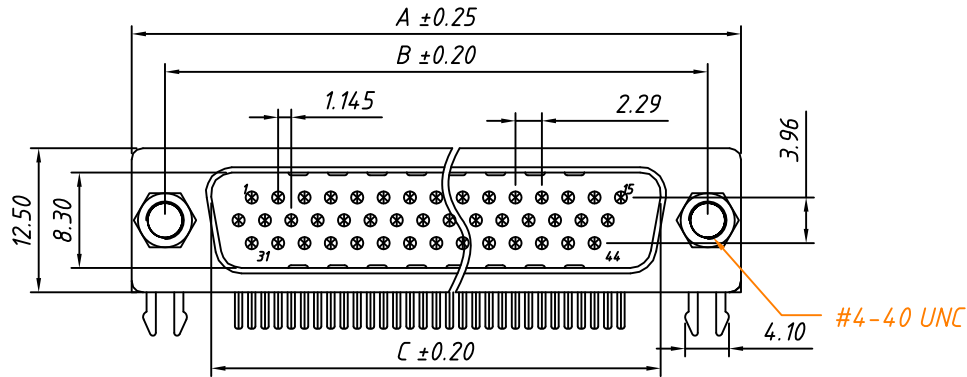
RECOMMENDED PCB LAYOUT
 TOLERANCE: ±0.05mm



Number of Contacts	DIMENSION		
	A±0.25	B±0.20	C±0.20
15	30.80	24.99	16.30
26	39.20	33.30	24.60
44	53.10	47.04	38.30
62	69.34	63.50	54.80

GENERAL TOLERANCE	PROJECTION		Description:
X. ±0.30	UNITS	mm	D-SUB Connector, R/A, Through Hole, 8.89mm, Female
.X ±0.25	SCALE	1:1	
.XX ±0.20	Draw by:	Daniel	
ANGLE TOLERANCE	Check by:	Daniel	KLS P/N: L-KLS1-315-XX-F-X
X. ±3°	Date	2018-03-01	NingBo KLS ELECTRONIC CO., L TD.
.X ±2°	SHEET	1 OF 1	
.XX ±1°			

1 RoHS Compliant



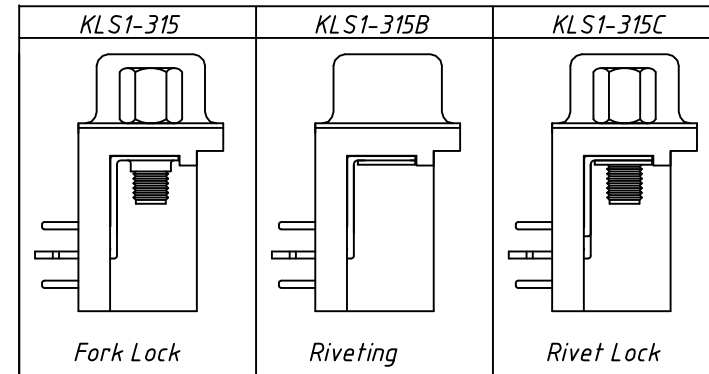
RECOMMENDED PCB LAYOUT
TOLERANCE: ±0.05mm

Material:
Housing: PBT+30% Glass filled ,UL 94V-0
Contacts: Brass ,Gold Plating
Shell: Steel, Nickel Plating


Electrical Characteristics:
Current Rating: 5 AMP
Insulator Resistance: 1000MΩ Min. at DC 500V
Withstanding Voltage: 500V AC (rms) for 1 minute
Contact Resistance: 20mΩ Max. Initial
Operating Temperature: -55°C ~ +105°C

Order Information

L - KLS1 - 315 - XX - M - X
RoHS
D-SUB Connector,
3 Row R/A Through Hole
Number of Contacts
Connector type: M-Male
Housing Color: B-Black



Number of Contacts	DIMENSION		
	A±0.25	B±0.20	C±0.20
15	30.80	24.99	16.85
26	39.20	33.30	25.30
44	53.10	47.04	38.96
62	69.34	63.50	55.42

GENERAL TOLERANCE	PROJECTION	Symbol	Description:
X. ±0.30	UNITS	mm	D-SUB Connector, R/A, Through Hole, 8.89mm, Male
.X ±0.25	SCALE	1:1	
.XX ±0.20	Draw by:	Daniel	KLS P/N: L-KLS1-315-XX-M-X
ANGLE TOLERANCE	Check by:	Daniel	 NingBo KLS ELECTRONIC CO.,L TD.
X. ±3°	Date	2018-03-01	
.X ±2°	SHEET	1 OF 1	
.XX ±1°			