



PRODUCT DATA APPROVAL SHEET

Core- T8756

Cosmo Ferrites Ltd. - INDIA

Appearance & Shape: To be free from any defect such as flow, burrs, unevenness etc, As per IEC standards.

Effective Parameters irrespective of material grade (per piece)

- Effective Length (L_e): 217.0mm
- Effective Area (A_e): 194.0mm²
- Effective Area (A_{Min}): 194.0mm²
- Effective Volume (V_e): 42133mm³

Approximate weight : 214g/pc



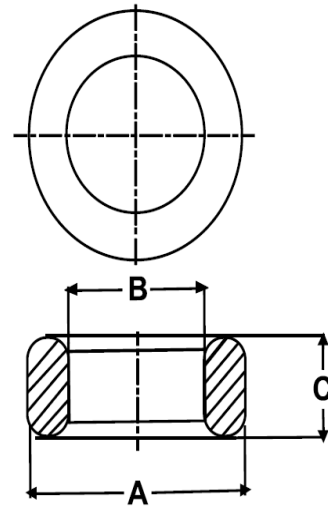
T8756 Un-Coated

Test Conditions: 10kHz/150mV/CFR COIL,N=01/Lo=Zero/25°C

Material Grade	Initial Permeability (μ_{iac})	AL Value (nH)	Ordering code
CF139	2100 \pm 20%	2350 +30%/-20%	CF139T8756

Dimensions(Un-coated Core)

Dimension	Nominal (in mm)	Maximum (in mm)	Minimum (in mm)
A	87.0	88.2	85.8
B	56.0	57.0	55.0
C	12.7	13.2	12.2



For Cosmo Ferrites Limited-INDIA

Checked By: A.K.

Approved By: B.S.

Authorized By: KSR

Date: 10-01-2020(ISSUE NO.1)

Customer's Approval

Authorized Signatory:

Name:

Date:

NOTE: Please send this Data Sheet back to Cosmo Ferrites Ltd. after approval. If not received back within 15 days, it will be presumed that all the specifications given in the consent/data sheet are acceptable to the concerned.