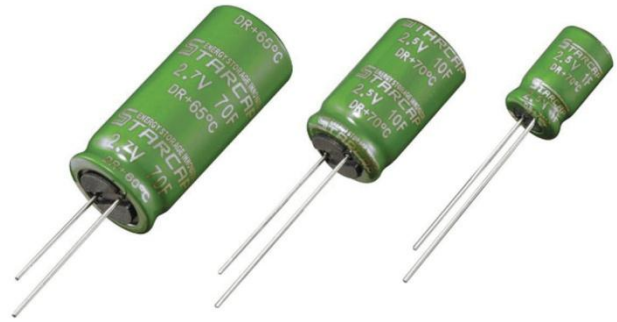


## | Features |

- Small size but large capacity
- Low ESR
- Pb Free and RoHS Compliant

## | Application |

- Solar voltaic applications  
(e.g. Traffic sign "LED type". Road guidance flasher)
- Motor drive through quick discharge  
(e.g. Toy car & plane)
- Emergency power supply for car DVR or black box

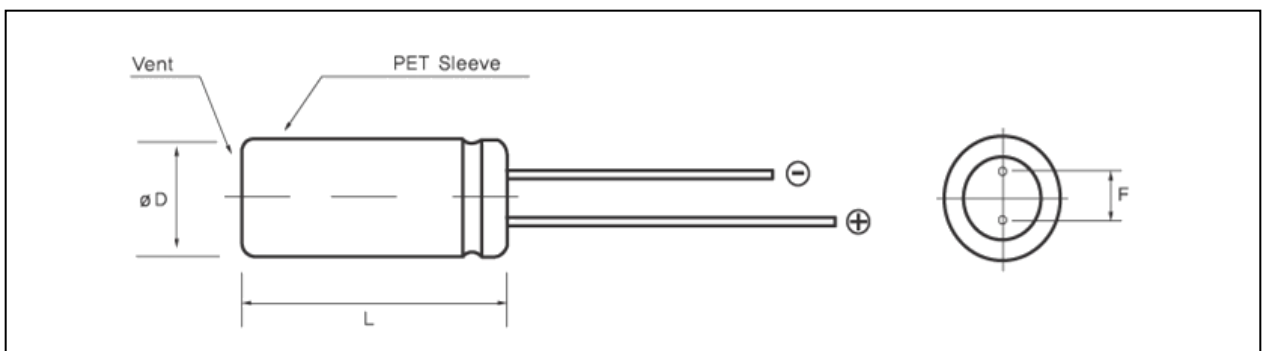


## | Specifications |

Items	Characteristics		
	DRL	DR	
Rated working voltage	2.3 VDC	2.5 VDC	2.7 VDC
Operating temperature	-25 to +65°C	-25 to +70°C	-40 to +65°C
Nominal Cap. Range	10 to 120F	1 to 70F	
Capacitance tolerance	-20% to +40%(at 25°C)		
Endurance	After 1,000 hours Application of rated DC working voltage at +65/70°C, the capacitor shall meet the following limits. <ul style="list-style-type: none"> <li>• Capacitance change : ≤30% of initial value</li> <li>• Internal resistance change : ≤100% of spec. value</li> </ul>		
Projected Cycle Life*	100,000 Cycles	500,000 Cycles	
	1 Cycle : Charge-Discharge between $V_{rated}$ and $1/2V_{rated}$ <ul style="list-style-type: none"> <li>• Capacitance change : ≤30% of initial value</li> <li>• Internal resistance change : ≤100% of spec. value</li> </ul>		
Shelf life	2 Years (Storage in Operating temp. range above for each products without electrical load) <ul style="list-style-type: none"> <li>• Capacitance change : ≤10% of initial value</li> <li>• Internal resistance change : ≤50% of initial value</li> </ul>		

\* Cycle life varies according to the condition of application i.e. charge-discharge condition including current, temperature, voltage range and etc.

## | Shape of Standard Product |



## | Standard Products and Dimensions (not to scale) |

Part number	Operating voltage (V)	Capacitance (F)	ESR ( $\Omega$ , @1kHz)	$\varnothing$ D x L(mm)	F (mm)	
DRL 2R3 106	2.3	10	$\leq 0.160$	$\varnothing 10 \times 20$	5.0	
DRL 2R3 226		22	$\leq 0.080$	$\varnothing 10 \times 30$	5.0	
DRL 2R3 306		30	$\leq 0.060$	$\varnothing 12.5 \times 25$	5.0	
DRL 2R3 506		50	$\leq 0.040$	$\varnothing 16 \times 25$	7.5	
DRL 2R3 706		70	$\leq 0.030$	$\varnothing 16 \times 35$	7.5	
DRL 2R3 127		120	$\leq 0.025$	$\varnothing 18 \times 40$	7.5	
DR 2R5 105		2.5	1	$\leq 0.300$	$\varnothing 8 \times 13$	3.5
DR 2R5 305	3		$\leq 0.150$	$\varnothing 8 \times 20$	3.5	
DR 2R5 335	3.3		$\leq 0.150$	$\varnothing 8 \times 20$	3.5	
DR 2R5 505R	5		$\leq 0.120$	$\varnothing 8 \times 25$	3.5	
DR 2R5 505S	5		$\leq 0.120$	$\varnothing 10 \times 20$	5.0	
DR 2R5 705L	7		$\leq 0.100$	$\varnothing 8 \times 30$	3.5	
DR 2R5 705R	7		$\leq 0.100$	$\varnothing 10 \times 20$	5.0	
DR 2R5 705D	7		$\leq 0.100$	$\varnothing 10 \times 25$	5.0	
DR 2R5 106R	10		$\leq 0.070$	$\varnothing 10 \times 25$	5.0	
DR 2R5 106RX	10		$\leq 0.070$	$\varnothing 10 \times 30$	5.0	
DR 2R5 106S	10		$\leq 0.070$	$\varnothing 12.5 \times 20$	5.0	
DR 2R5 156	15		$\leq 0.050$	$\varnothing 12.5 \times 25$	5.0	
DR 2R5 256	25		$\leq 0.030$	$\varnothing 16 \times 25$	7.5	
DR 2R5 356	35		$\leq 0.025$	$\varnothing 16 \times 35$	7.5	
DR 2R5 506	50		$\leq 0.021$	$\varnothing 18 \times 40$	7.5	
DR 2R5 706	70		$\leq 0.020$	$\varnothing 18 \times 40$	7.5	
DR 2R7 105	2.7		1	$\leq 0.200$	$\varnothing 8 \times 13$	3.5
DR 2R7 305			3	$\leq 0.075$	$\varnothing 8 \times 20$	3.5
DR 2R7 335			3.3	$\leq 0.075$	$\varnothing 8 \times 20$	3.5
DR 2R7 505R			5	$\leq 0.060$	$\varnothing 8 \times 25$	3.5
DR 2R7 505S		5	$\leq 0.060$	$\varnothing 10 \times 20$	5.0	
DR 2R7 705L		7	$\leq 0.050$	$\varnothing 8 \times 30$	3.5	
DR 2R7 705R		7	$\leq 0.050$	$\varnothing 10 \times 20$	5.0	
DR 2R7 705D		7	$\leq 0.050$	$\varnothing 10 \times 25$	5.0	
DR 2R7 106R		10	$\leq 0.035$	$\varnothing 10 \times 25$	5.0	
DR 2R7 106RX		10	$\leq 0.035$	$\varnothing 10 \times 30$	5.0	
DR 2R7 106S		10	$\leq 0.035$	$\varnothing 12.5 \times 20$	5.0	
DR 2R7 156		15	$\leq 0.030$	$\varnothing 12.5 \times 25$	5.0	
DR 2R7 256		25	$\leq 0.020$	$\varnothing 16 \times 25$	7.5	
DR 2R7 356		35	$\leq 0.018$	$\varnothing 16 \times 35$	7.5	
DR 2R7 506		50	$\leq 0.017$	$\varnothing 18 \times 40$	7.5	
DR 2R7 706		70	$\leq 0.016$	$\varnothing 18 \times 40$	7.5	

**Note : It is not allowed to go through reflow (IR, Atmosphere heating methods etc.) process**