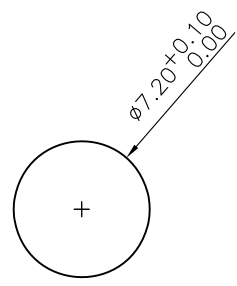
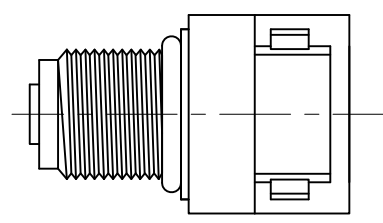


REV.	DESCRIPTION	DRAWN	DATE
1	INITIAL RELEASE	TIM	2016/08/16

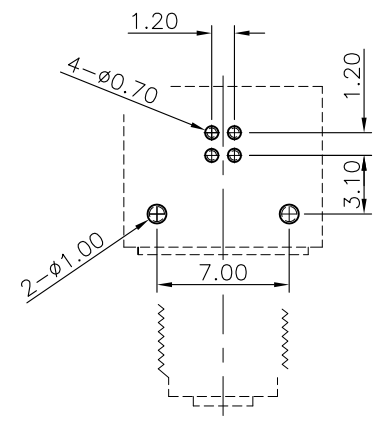
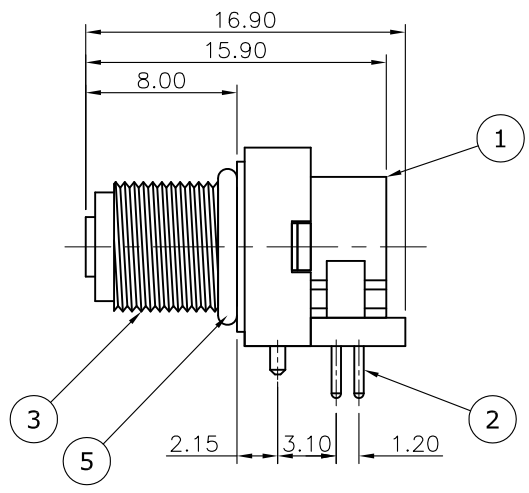
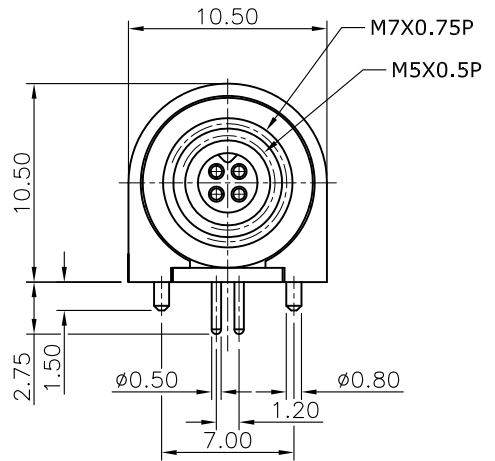


Recommend Panel Cut Out

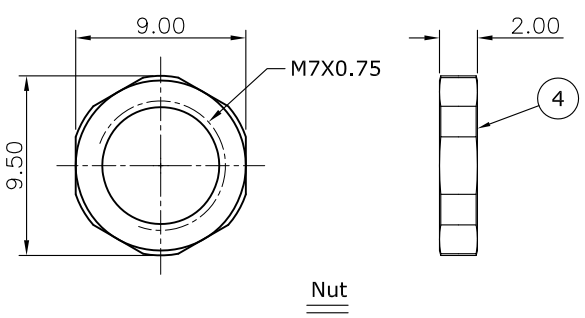


SPECIFICATION:

1. Current Rating: 1A
2. Voltage Rating: 60V
3. Waterproof: IP67
4. Operation Temperature: -20°C to 85°C



Recommended Layout (top view)
General Tolerance: ±0.1mm



5	O-RING	NBR, Black	
4	NUT	Brass, Nickel plating	
3	SHELL	Brass, Nickel plating	
2	CONTACT	Brass, Gold Flash over Nickel plating	
1	HOUSING	PBT, UL94V-0, Black	
NO.	PART NAME	DESCRIPTION	
UNLESS OTHERWISE SPECIFIED TOLERANCE			
UNIT:	DECIMAL	LINEAR	ANGLES
	mm	X, X	±0.50 ±3°
		X, XX	±0.25 ±3°
		±0.12 ±1°	
DRAWN		Tim	2016/08/16
CHECKED		Fros	2016/08/16
APPROVED		Ken	2016/08/16
DRAWN NAME:		M5 A- Code Receptacle, 4Pin Female Right Angle PCB Type, Front Fastened	
PRODUCT NO.		220A-04FRF	
SCALE	SHEET	SIZE	FILE NAME
2.5/1	1/1	A4	220A-04FRF_B_1



WWW.ATTEND.COM.TW