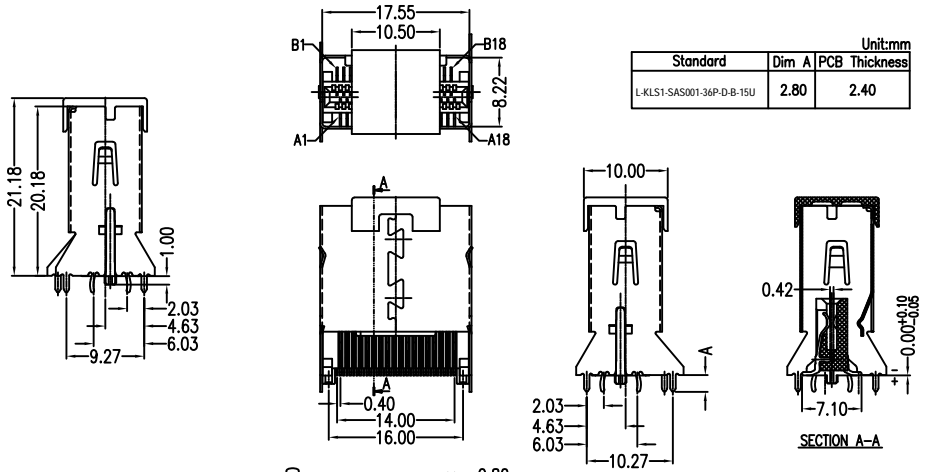


RoHS compliant



Standard	Dim A	PCB Thickness
L-KLS1-SAS001-36P-D-B-15U	2.80	2.40

Signal Define			
PIN NO.	Signal Name	PIN NO.	Signal Name
A1	Ground	B1	Ground
A2	Rx0+	B2	Tx0+
A3	Rx0-	B3	Tx0-
A4	Ground	B4	Ground
A5	Rx1+	B5	Tx1+
A6	Rx1-	B6	Tx1-
A7	Ground	B7	Ground
A8	Sideband6	B8	Sideband0
A9	Sideband3	B9	Sideband1
A10	Sideband4	B10	Sideband2
A11	Sideband5	B11	Sideband6
A12	Ground	B12	Ground
A13	Rx2+	B13	Tx2+
A14	Rx2-	B14	Tx2-
A15	Ground	B15	Ground
A16	Rx3+	B16	Tx3+
A17	Rx3-	B17	Tx3-
A18	Ground	B18	Ground

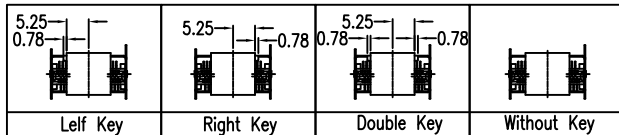
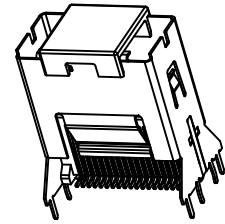
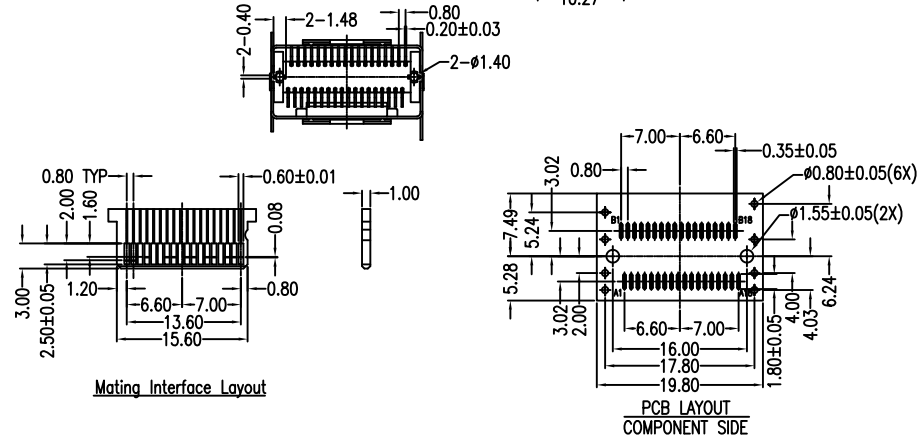
**NOTES:**

**\*Material**  
 Housing: LCP, UL 94V-0 rated, Color: Black;  
 Contact: Phosphor Bronze, Au plating on contact area,  
 Sn(100u" Min) plating on solder tail,  
 Ni(40u" Min) underplating over all.  
 Shell: Brass, Ni(40u" Min)plating.

**\*Mechanical**  
 Insertion Force: 50N Max.  
 Withdrawal Force: 5N Min.  
 Durability: 250 Cycles.

**\*Electrical Specification**  
 Current Rating: 0.5Amps 30°C Max per contact;  
 Contact Resistance: 30mΩ Max.  
 Insulation Resistance: 1000MΩ Min.  
 Dielectric Withstanding Voltage: 300V AC

**\*Environmental**  
 Operating Temperature: -40°C to +85°C



ALL TYPES  
SCALE 2:1

A2		Modify Plastic Posts Dimension	2014/01/02		GENERAL TOLERANCE	DRAWN	Gene Li	2014-01-02	UNIT	MM	NINGBO KLS ELECTRONIC CO.,LTD	
A1		Modify Plastic Posts	2013/07/12		.X ±0.15 X.° ± 2°	CHECKE			SCALE	1:1		
A0		NEW DESIGN	2011/03/12		.XX ±0.10 .X.° ± 1°	APPROVE			SHEET	1 OF 1		
REV	ECN NO	DESCRIPTION	DATE	SIGNATURE	.XXX ±0.05 .XX.° ± 0.5°	DRAWING NO			REV	A0		PART NO.
					PROJECT						TITLE	MINI SAS 36P Vertical Female