

L-KLS4-CA14-N-V12.5-10K-A-2020

(CA14 14MM TRIMMER POTENTIOMETERS)

应用	Application
<input type="checkbox"/> 此规格电位器适用于电子器材、加热和空气调节设备、温度调节装置、测量测试设备。	-This potentiometer is applied to electronic appliances, heating and air conditioning equipment and thermostats, measurement and test equipment.
<input type="checkbox"/> 汽车：调光器、湿度调节、灯光调节	-Automotive: dimmers, climate controls, lighting regulation

性能说明(常规) SPECIFICATIONS(standard features)

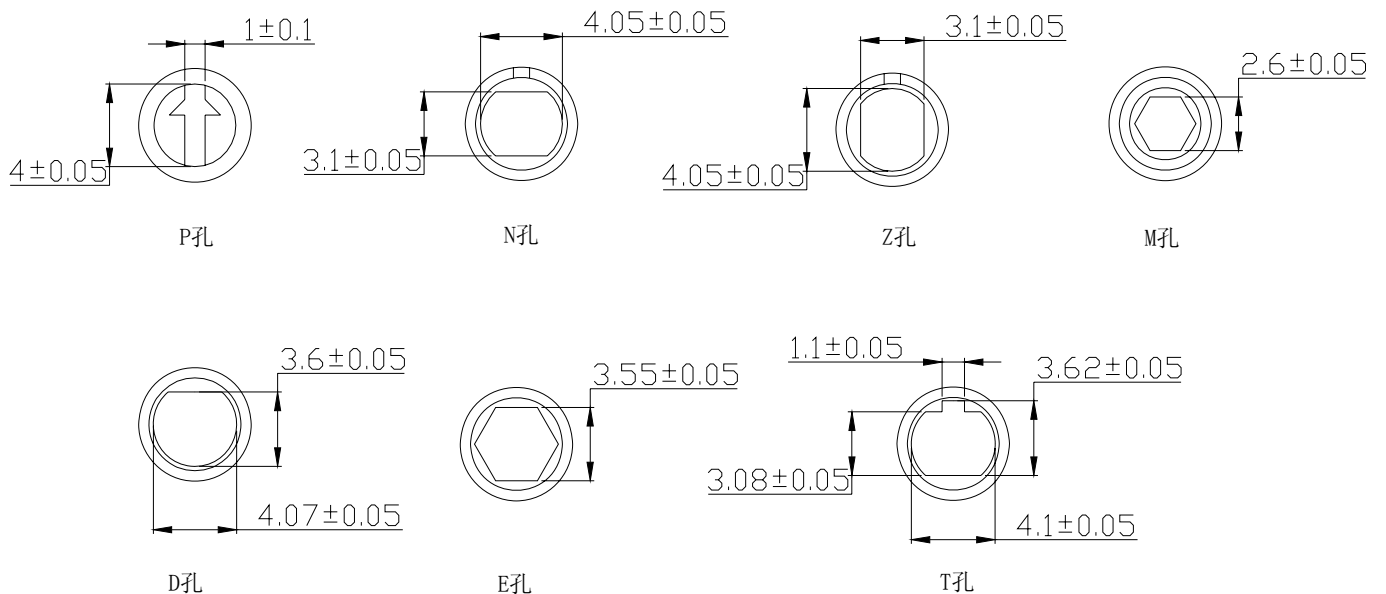
电气性能 ELECTRICAL SPECIFICATIONS	
阻值范围 Range of resistance values	
直线 A (Lin)	$100\ \Omega \leq R_n \leq 5M\ \Omega$
指数 B(log), 对数 C(antilog)	$1K\ \Omega \leq R_n \leq 2.2M\ \Omega$
阻值误差 Tolerance	$100\ \Omega \leq R_n \leq 1M\ \Omega \dots \pm 20\%$ $1M\ \Omega < R_n \leq 5M\ \Omega \dots \pm 30\%$
耐电压 Max voltage at 40 °C	
Lin(A)	DC250V
No Lin(B,C)	DC200V
额定功率 Maximum power dissipation at 40 °C	
Lin(A)	0.25W
No Lin(B,C)	0.13W
阻值规律 Variation laws	Lin(A)、Log(B)、Antilog(C)
残留电阻 Residual resistance	$\leq 5\% R_n (2\ \Omega \text{ min})$
平滑性 Equivalent noise resistance	$\leq 3\% R_n (3\ \Omega \text{ min})$
正常工作温度 Operating temperature	-25°C ~ +70°C
焊接温度和时间	温度 temperature $\leq 265^\circ\text{C} \pm 5^\circ\text{C}$
Soldering temperature and time	时间 time $\leq 2\text{second}$

机械性能 MECHANICAL SPECIFICATIONS

电阻成分 Resistive element	Carbon technology
机械旋转角度 Mechanical rotation angle	$265^{\circ} \pm 5^{\circ}$
电气旋转角度 Electrical rotation angle	$245^{\circ} \pm 20^{\circ}$
定位 Wiper position	Middle position: $50\% \pm 15^{\circ}$
转子最大拉拔力 Max. push/pull on rotor	50N
旋转力矩 Wiper torque	$< 2.5\text{Ncm}$ (0.5...3.5 Ncm for pots. with detents)
止档力矩 Stop torque	$\leq 10\text{Ncm}$
机械寿命 Mechanical life	1000cycles (10,000cycles for pots. with detents)

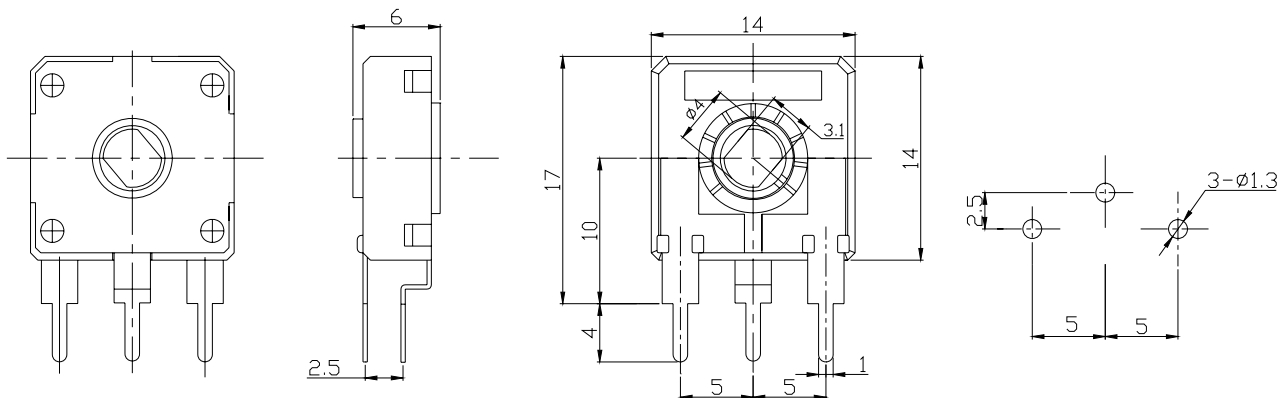
外形图及安装尺寸 OUTLINE DRAWING AND MOUNTING HOLE DETAIL

ROTORS(孔的形式)

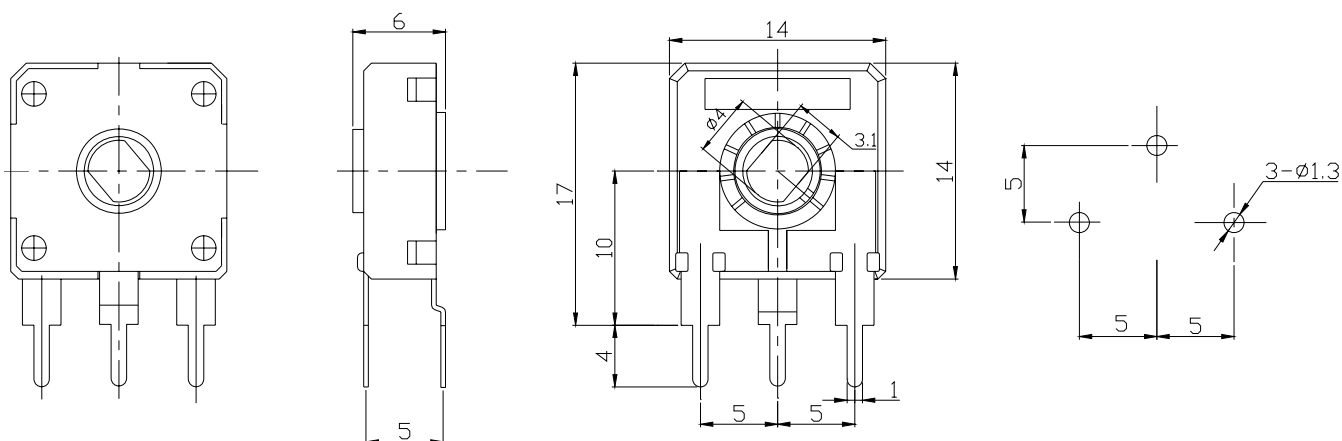


h=Vertical mount/Horizontal adjust 立式—水平调节

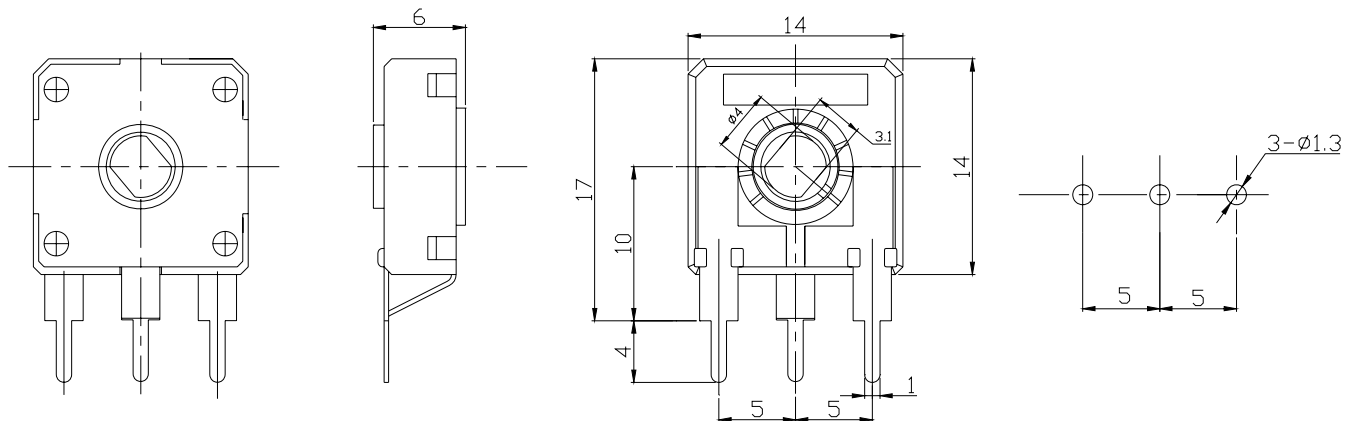
h=2.5



h=5

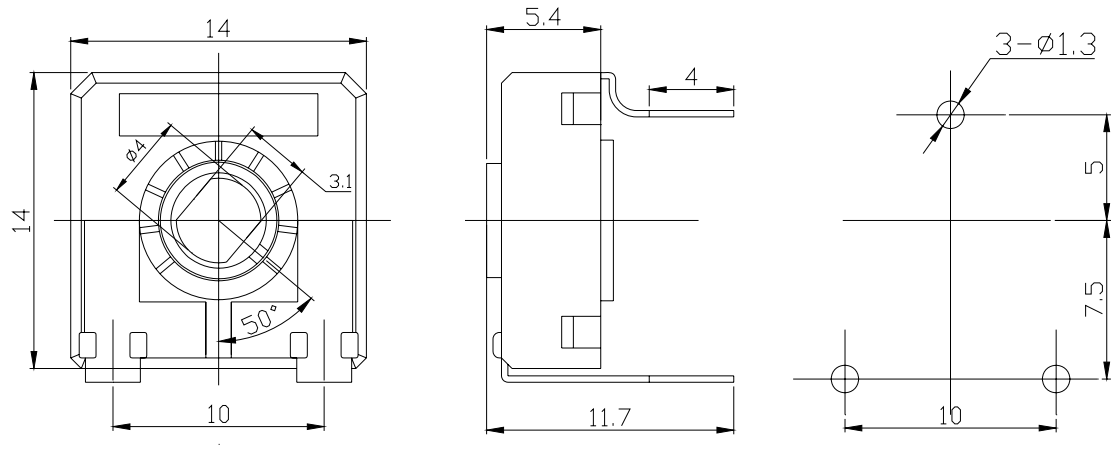


h=0

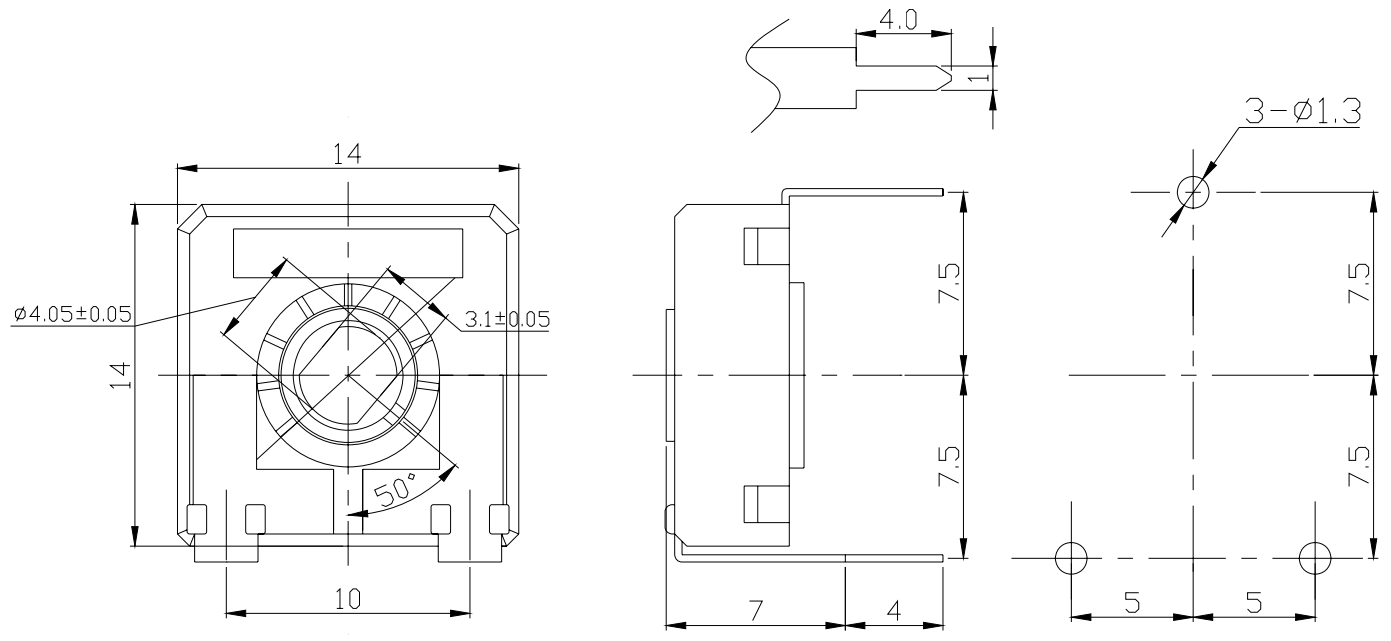


V=Horizontal mount/Vertical adjust 卧式—垂直调节

V=12.5

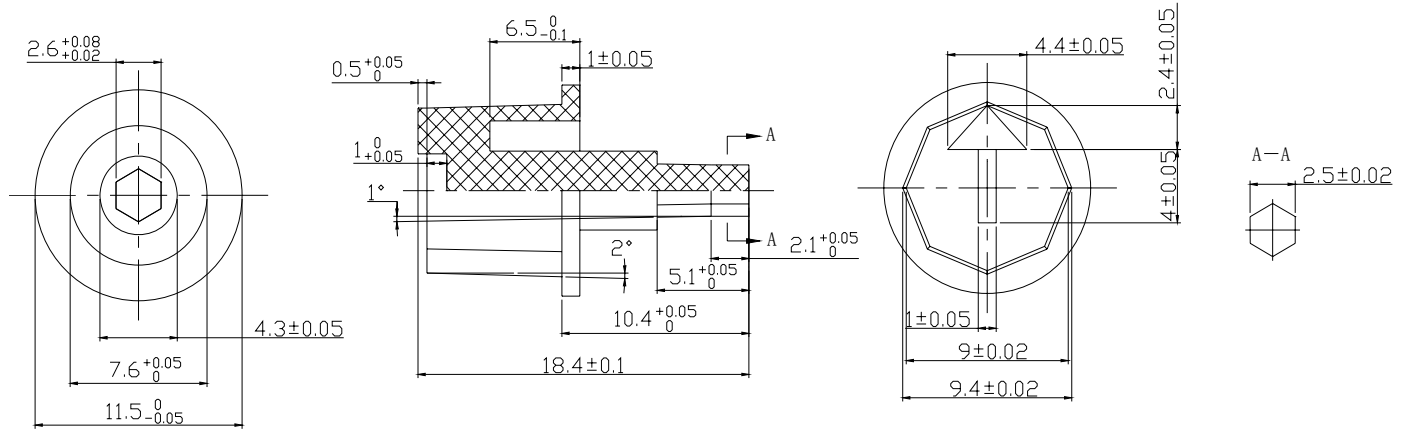


V=15



SHAFT(现有轴)

NO.01



NO.02

